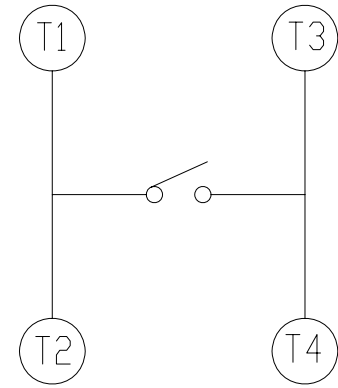
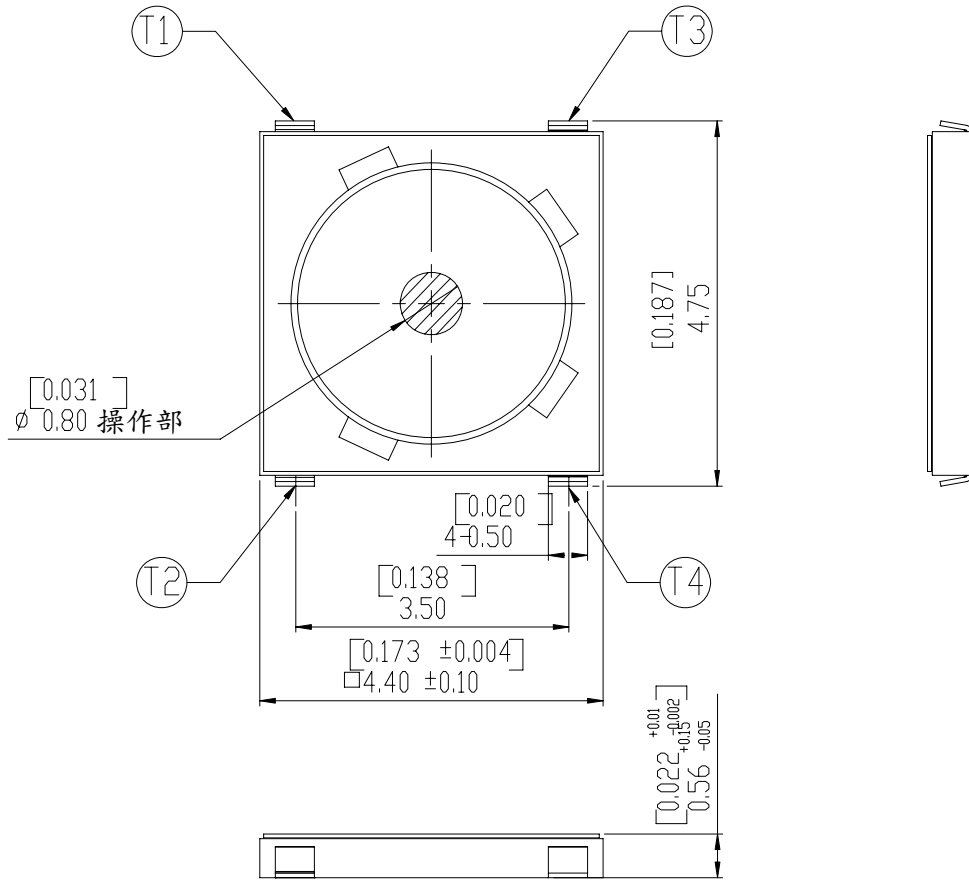


TJ-4 SERIES

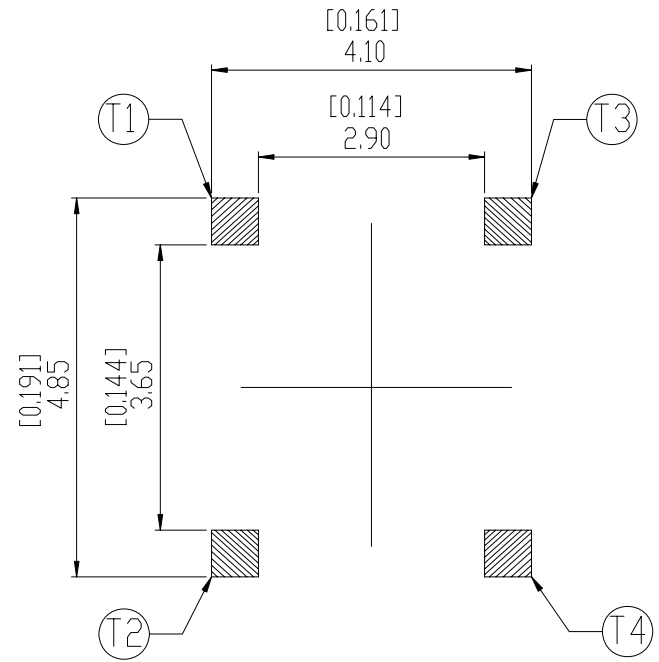


**DIMENSION**

TJ4



CIRCUIT DIAGRAM

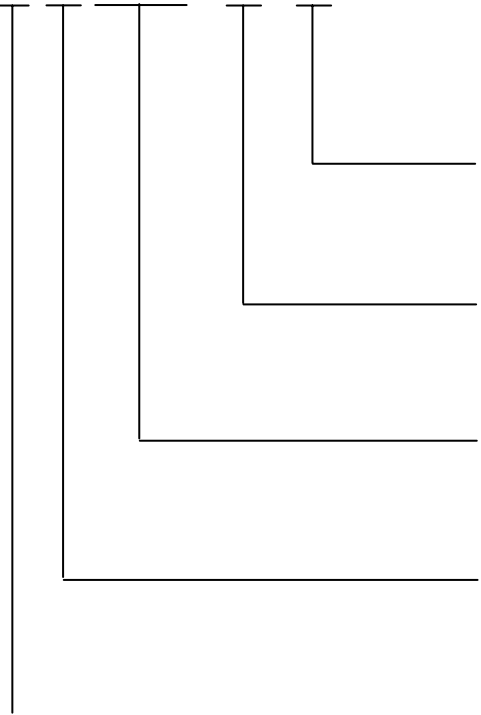


P.C.B. LAYOUT

General Tolerance :  $\pm 0.2\text{mm}$

**HOW TO ORDER**

T J - 4   - V -



**Package :**  
T/R = Tape & Reel

**Soldering :**  
V = Lead Free Solderable

**Operating Force :**  
16 = 160gf

**Prod. Size.**  
4 = 4.4X4.4mm

**Terminal Type**  
J = J Bend

## SPECIFICATION

### △MECHANICAL

Operation Force :  $160 \pm 50 \text{gf}$  <TJ-416>  
 Stroke :  $0.2 \pm 0.1 \text{mm}$   
 Operation Temperature Range :  $-20^\circ\text{C}$  to  $+70^\circ\text{C}$   
 Storage Temperature Range :  $-30^\circ\text{C}$  to  $+80^\circ\text{C}$

### △ELECTRICAL

Electrical Life : 200,000 cycles.  
 50 mA, 12 VDC  
 Contact Resistance : 100 mΩ max.  
 Insulation Resistance : 100MΩ min. at 500 VDC  
 Dielectric Strength: 350 VAC/1 minute  
 Contact Arrangement : 1 pole 1throw

## MATERIAL

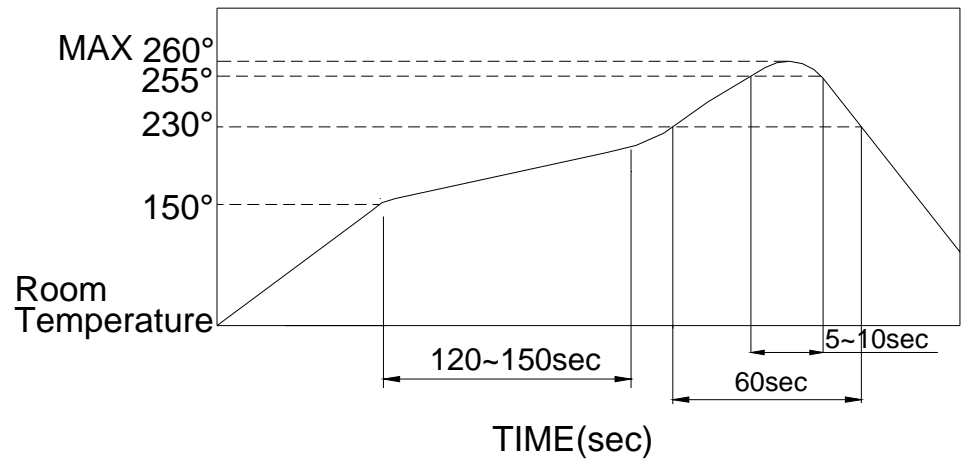
△BASE : UL 94V-0 LCP High-Temp Thermoplastic.  
 Color : Black  
 △CONTACT : Stainless steel with silver cladding.  
 △TERMINAL : Phosphor bronze with silver cladding.  
 △TAPE : Kapton.

## SOLDERING PROCESS

△HAND SOLDERING : Use a soldering iron of 30 watts, controlled at  $350^\circ\text{C}$  approximately 5 seconds while applying solder.

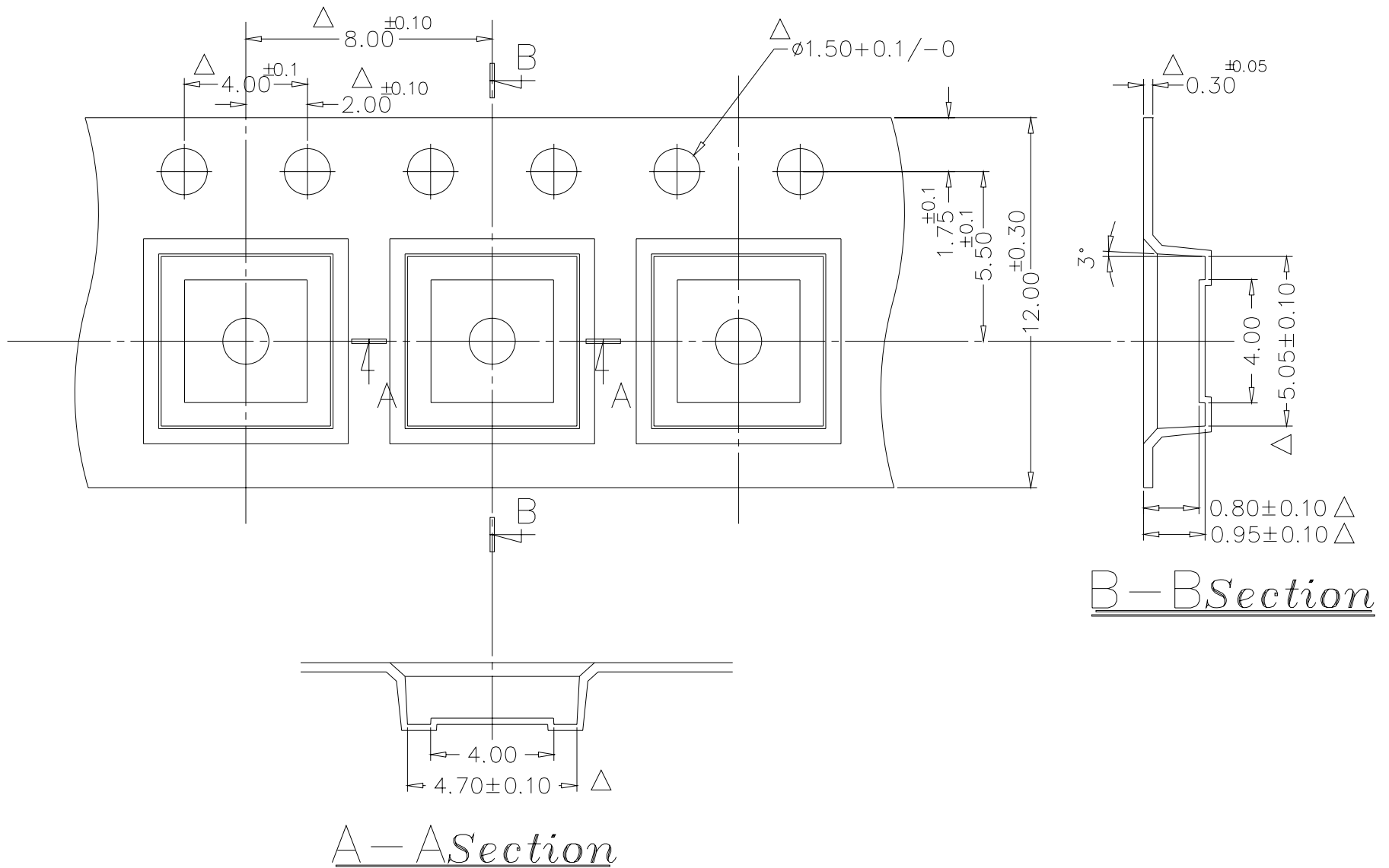
△REFLOW SOLDERING : Vapor phase & reflow soldering can be applied.

△Temperature Profile :



## PACKING

Part Number	Number Per Tube	Number Per Reel
TJ-4	-	8000



General Tolerance :  $\pm 0.1 \text{mm}$