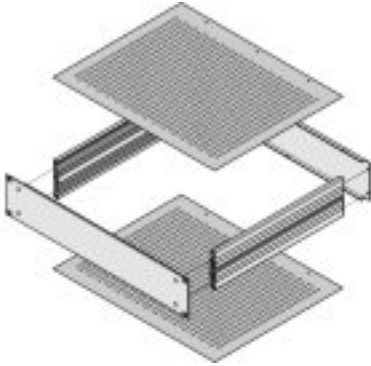
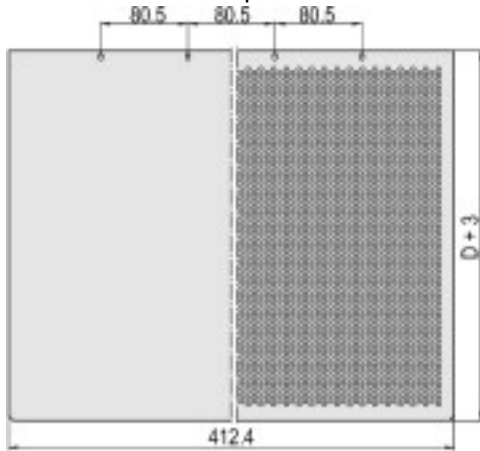


[Cover plates](#)
[Print page](#)


unvented cover perforated cover



Article number: 30860-514

- Cover plates can be used as cover or base plates.
- Perforated, perforation diameter 4 mm, perforation 58%



Delivery comprises: in kit form

Item	Qty	Description
1	1	Cover plate, 1 mm aluminium, clear chromated

Technical data:

Depth	Description
460 mm	perforated

Further Information:

	CAD data in DWG- DXF- and PDF format
	Assembly instructions