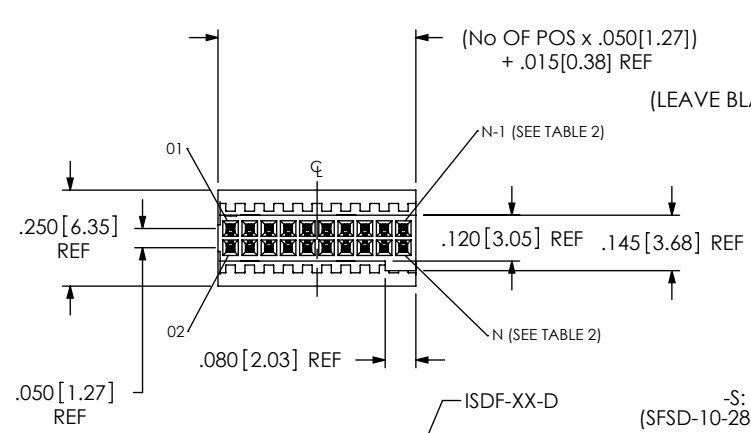


DO NOT SCALE FROM THIS PRINT



**SFSDX-XX-XXX-XX-XX.XX-XX-XXX**

**TEFLON CABLE OPTION**  
**\*\*T: TEFLON**  
 (LEAVE BLANK FOR STANDARD PVC INSULATION)  
 No OF POSITIONS  
 -05, -07, -10, -15, -20, -25,  
 -30 -35 -40, -45 & -50 (PER ROW)  
 AVAILABLE AS STANDARD  
 -02 THRU -50 AVAILABLE AS ASO  
 WIRE GAUGE (AWG)  
 -28, -30  
 COLOR CODE:  
 LEAVE BLANK FOR ALL BLACK WIRE  
 C: COLOR CODED WIRE, SEE COLOR SEQUENCE TABLE, SHEET 4 (NOT AVAILABLE WITH TEFLON OPTION)

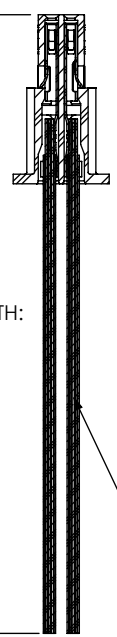
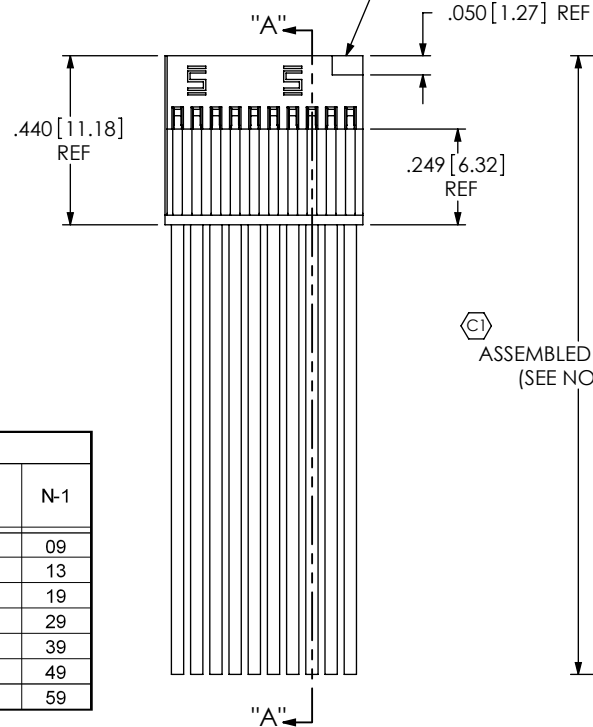
**PLATING SPECIFICATION**  
 \* -F: FLASH SELECTIVE  
 \* -L: LIGHT SELECTIVE  
 \* -S: SELECTIVE  
 -H: HEAVY GOLD  
 -G: LIGHT GOLD  
 -GF: FLASH GOLD (SEE TABLE 4, SHEET 3)

**ASSEMBLED LENGTH**  
 SPECIFY IN INCHES  
 (SINGLE END: 03.00 INCH [76.2mm] MINIMUM,  
 DOUBLE END: 03.25 INCH [82.6mm] MINIMUM)

**-NXX OPTION (END 2)**  
 (ONLY AVAILABLE WITH -D, -DL, -DR)  
 -NUS: NOTCH UP, STRAIGHT (PIN 1 TO PIN N-1)  
 -NDS: NOTCH DOWN, STRAIGHT (PIN 1 TO PIN 2)  
 -NUX: NOTCH UP, CROSSED (PIN 1 TO PIN N)  
 -NDX: NOTCH DOWN, CROSSED (PIN 1 TO PIN 1)

**END OPTION**  
 (END OPTION COMBINATIONS NOT AVAILABLE)  
 -S: SINGLE END  
 -D: DOUBLE END (MUST CHOOSE FROM -NXX OPTIONS)  
 -SL: SINGLE ENDED WITH FRICTION LOCK (SEE SHEET 2, FIG. 3) (ONLY AVAILABLE ON -10 THRU -30 POSITION)  
 -DL: DOUBLE ENDED WITH FRICTION LOCK (SEE SHEET 2, FIG. 4) (ONLY AVAILABLE ON -10 THRU -30 POSITION)  
 -SR: SINGLE ENDED WITH RETENTION LATCH (SEE SHEET 4, FIG. 5) (USE SUB-IM-LTC-07-01-N) (ONLY AVAILABLE ON -05 THRU -30 POS)  
 -DR: DOUBLE ENDED WITH RETENTION LATCH (SEE SHEET 4, FIG. 6) (USE SUB-IM-LTC-07-01-N) (ONLY AVAILABLE ON -05 THRU -30 POS) (MUST CHOOSE FROM -NXX OPTIONS)

FIG. 1  
 -S: SINGLE END  
 (SFSD-10-28-XX-XX.XX-S SHOWN)



ASSEMBLED LENGTH:  
 (SEE NOTE 8)

SECTION "A"- "A"

\* DO NOT DESIGN IN.  
 \*\* FOR EXISTING CUSTOMER OPTION

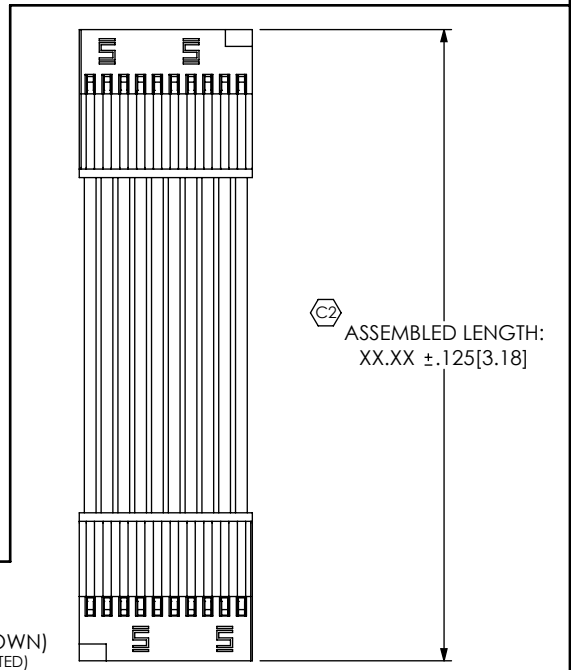


FIG. 2  
 -D: DOUBLE END  
 (SFSD-10-28-XX-XX.XX-D-NUS SHOWN)  
 (SAME AS FIG. 1, UNLESS OTHERWISE STATED)

**TABLE 2**

No. OF POSITIONS	N	N-1
-05	10	09
-07	14	13
-10	20	19
-15	30	29
-20	40	39
-25	50	49
-30	60	59

**TABLE 1**

SERIES	WIRE GAUGE	CABLE
SFSD	28 AWG	DWC-28-XX-300
SFSD	30 AWG	DWC-30-XX-300
SFSDT	28 AWG	DWCT-28-XX
SFSDT	30 AWG	DWCT-30-XX

- NOTES:
- Ⓢ REPRESENTS A CRITICAL DIMENSION.
  - MINIMUM PULLOUT FORCE: 3.0 LBS [13.3 N].
  - CONTACT MUST BE INSERTED UNTIL RETENTION FEATURE LOCKS INTO PLACE.
  - ALL FINISHED GOODS ARE TO BE ELECTRICAL TESTED INCLUDING HI-POT TEST AT 1000 VOLTS DC.
  - TINNED COPPER WIRE IS RoHS COMPLIANT.
  - PARTS TO BE LAYER PACKAGED.
  - END OF DISCRETE WIRE MUST BE IN THE RANGE AFTER CRIMP.
  - FOR LENGTHS LESS THAN 12 in, TOLERANCE SHALL BE +/- .125. FOR OTHER LENGTHS, TOLERANCE SHALL BE +/- .2%.
  - NOTE DELETED.
  - SEE DWLX-08-XX-X-XX.XX-XX-XX FOR CRIMP DIMENSIONS.
  - 3LB MIN WIRE CRIMP STRENGTH FOR -30 AWG AND 4.5LB MIN WIRE CRIMP STRENGTH FOR -28 AWG.

UNLESS OTHERWISE SPECIFIED, DIMENSIONS ARE IN INCHES.  
 TOLERANCES ARE:  
 DECIMALS ANGLES  
 .XX: ±.01 [.3] 2°  
 .XXX: ±.005 [.13]  
 .XXXX: ±.0020 [.051]

**PROPRIETARY NOTE**  
 THIS DOCUMENT CONTAINS INFORMATION CONFIDENTIAL AND PROPRIETARY TO SAMTEC, INC. AND SHALL NOT BE REPRODUCED OR TRANSFERRED TO OTHER DOCUMENTS OR DISCLOSED TO OTHERS OR USED FOR ANY PURPOSE OTHER THAN THAT WHICH IT WAS OBTAINED WITHOUT THE EXPRESSED WRITTEN CONSENT OF SAMTEC, INC.

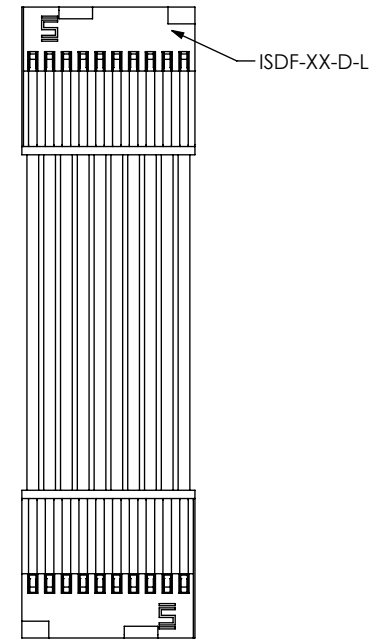
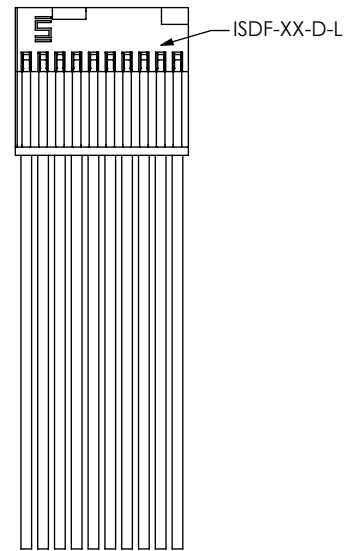
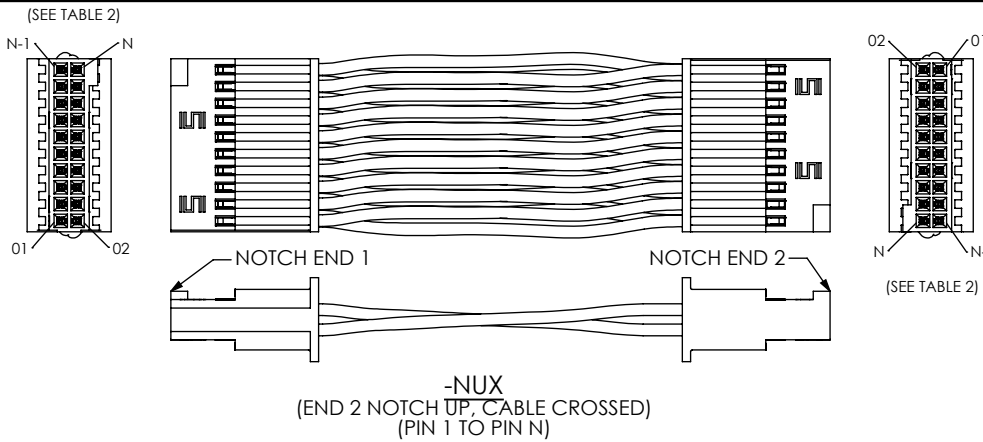
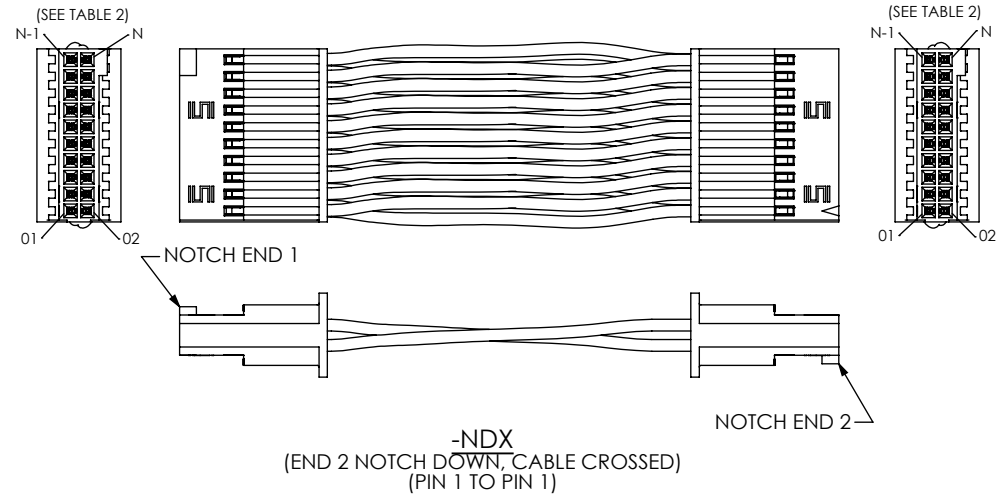
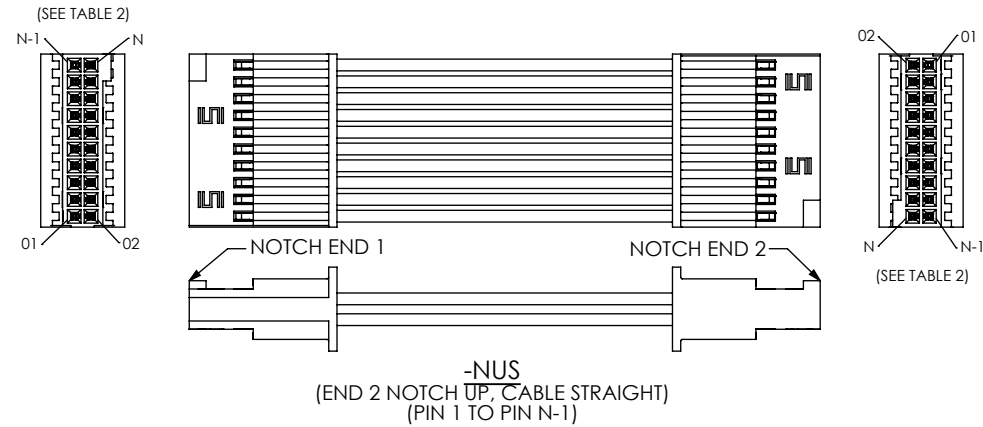
**MATERIAL:**  
 INSULATOR: LCP, COLOR: BLACK  
 CONTACT: BeCu  
 CABLE INSULATION: SEE CALLOUT WIRE: TINNED COPPER

**DESCRIPTION:**  
 .050[1.27] SOCKET DISCRETE CABLE ASSEMBLY  
 DWG. NO.  
**SFSDX-XX-XXX-XX-XX.XX-XX-XXX**  
 BY: BRATCHER 5/5/2005 SHEET 1 OF 4



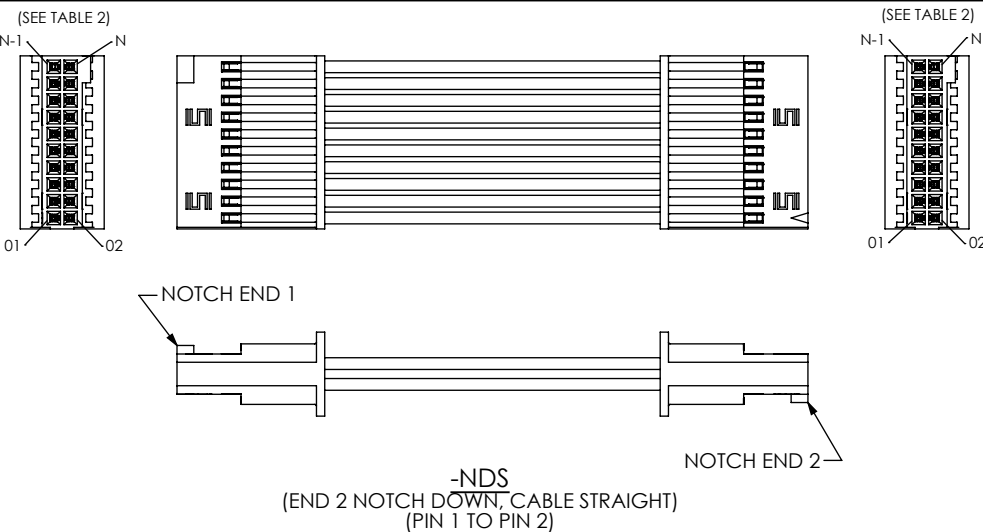
520 PARK EAST BLVD, NEW ALBANY, IN 47150  
 PHONE: 812-944-6733 FAX: 812-948-5047  
 e-Mail: info@SAMTEC.com code: 55322

REVISION L



**FIG. 3**  
-SL: SINGLE END RETENTION LOCK  
(SFSDX-10-28-XX-XX.XX-SL SHOWN)  
(SAME AS FIG. 1, UNLESS OTHERWISE STATED)

**FIG. 4**  
-DL: DOUBLE END RETENTION LOCK  
(SFSDX-10-28-XX-XX.XX-DL-NUS SHOWN)  
(SAME AS FIG. 1, UNLESS OTHERWISE STATED)



**PROPRIETARY NOTE**  
THIS DOCUMENT CONTAINS INFORMATION CONFIDENTIAL AND PROPRIETARY TO SAMTEC, INC. AND SHALL NOT BE REPRODUCED OR TRANSFERRED TO OTHER DOCUMENTS OR DISCLOSED TO OTHERS OR USED FOR ANY PURPOSE OTHER THAN THAT WHICH IT WAS OBTAINED WITHOUT THE EXPRESSED WRITTEN CONSENT OF SAMTEC, INC.



520 PARK EAST BLVD, NEW ALBANY, IN 47150  
PHONE: 812-944-6733 FAX: 812-948-5047  
e-Mail: info@SAMTEC.com code: 55322

DO NOT SCALE DRAWING

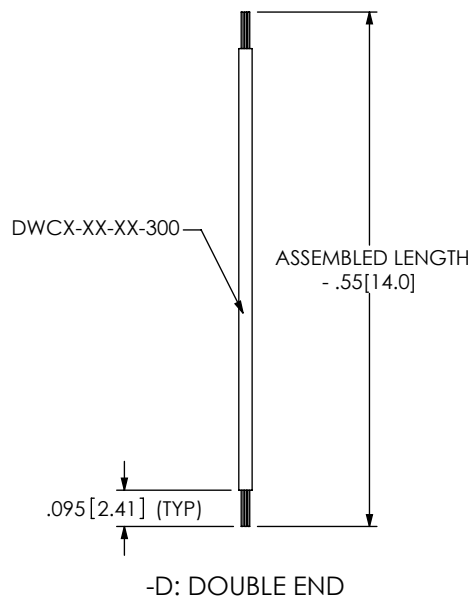
SHEET SCALE: 1:0.571429

DESCRIPTION:  
.050[1.27] SOCKET DISCRETE CABLE ASSEMBLY

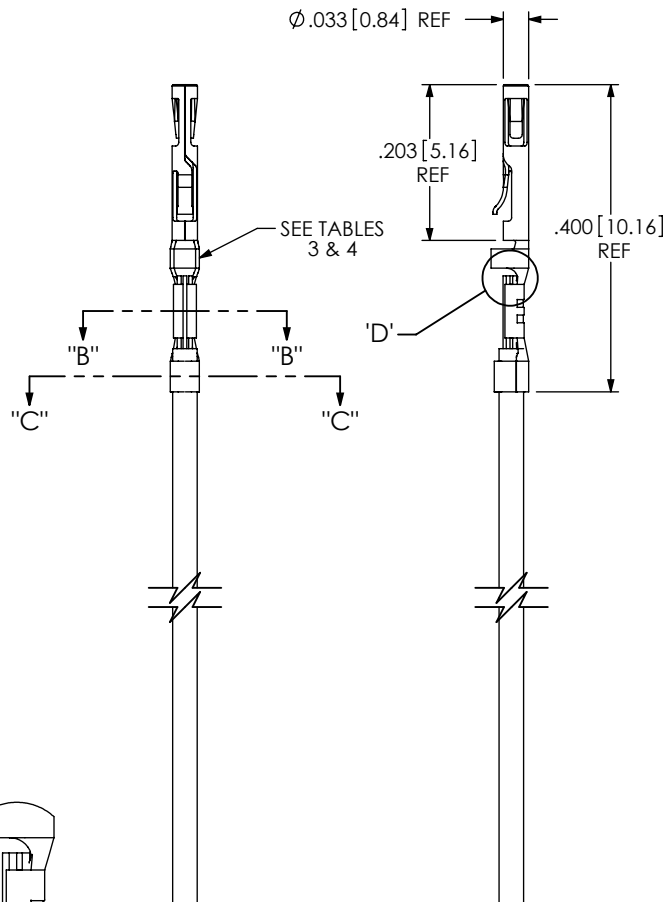
DWG. NO.  
**SFSDX-XX-XXX-XX-XX.XX-XX-XXX**

BY: BRATCHER 5/5/2005 SHEET 2 OF 4

IN-PROCESS 1



IN-PROCESS 2  
(TYP BOTH END FOR -D: DOUBLE END)



-S IN-PROCESS  
(SFSDX-10-28-XX-XX.XX-D-NUS SHOWN)  
(SAME AS FIG. 1, UNLESS OTHERWISE STATED)

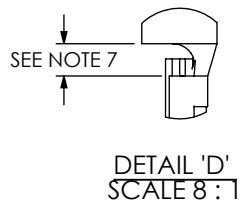
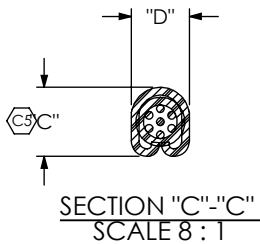
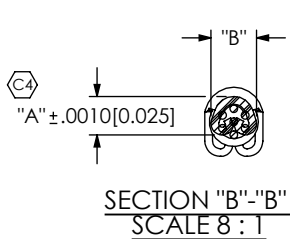
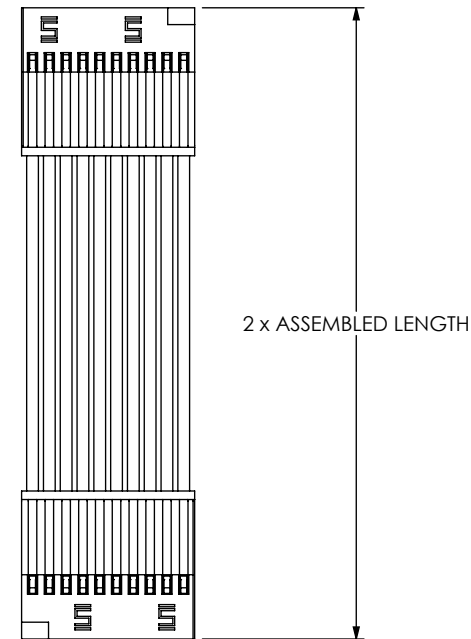


TABLE 3: GAUGE **L**

SERIES	AWG	CONTACT	CABLE	"A"	"B"	"C"	"D"
SFSD	-28	C-203-2830-X or CC03X-2830-01-X	DWC-28-XX-300	.0180 [0.457]	.0320 [0.813]	.0280 [0.711]	.0380 [0.965]
SFSD	-30	C-203-2830-X or CC03X-2830-01-X	DWC-30-XX-300	.0160 [0.406]	.0320 [0.813]	.0260 [0.660]	.0380 [0.965]
** SFSDT	-28	C-203-2830-X or CC03X-2830-01-X	DWCT-28-XX	.0180 [0.457]	.0320 [0.813]	.0280 [0.711]	.0380 [0.965]
** SFSDT	-30	C-203-2830-X or CC03X-2830-01-X	DWCT-30-XX	.0160 [0.406]	.0320 [0.813]	.0260 [0.660]	.0380 [0.965]

TABLE 4: PLATING

PLATING	CONTACT
-H	C-203-2830-H or CC03X-2830-01-H
-GF	C-203-2830-GF or CC03X-2830-01-GF
-G	C-203-2830-G or CC03X-2830-01-G
* -S	C-203-2830-H or CC03X-2830-01-S
* -F	C-203-2830-GF or CC03X-2830-01-F
* -L	C-203-2830-G or CC03X-2830-01-L

PROPRIETARY NOTE

THIS DOCUMENT CONTAINS INFORMATION CONFIDENTIAL AND PROPRIETARY TO SAMTEC, INC. AND SHALL NOT BE REPRODUCED OR TRANSFERRED TO OTHER DOCUMENTS OR DISCLOSED TO OTHERS OR USED FOR ANY PURPOSE OTHER THAN THAT WHICH IT WAS OBTAINED WITHOUT THE EXPRESSED WRITTEN CONSENT OF SAMTEC, INC.

DO NOT SCALE DRAWING

SHEET SCALE: 2:1



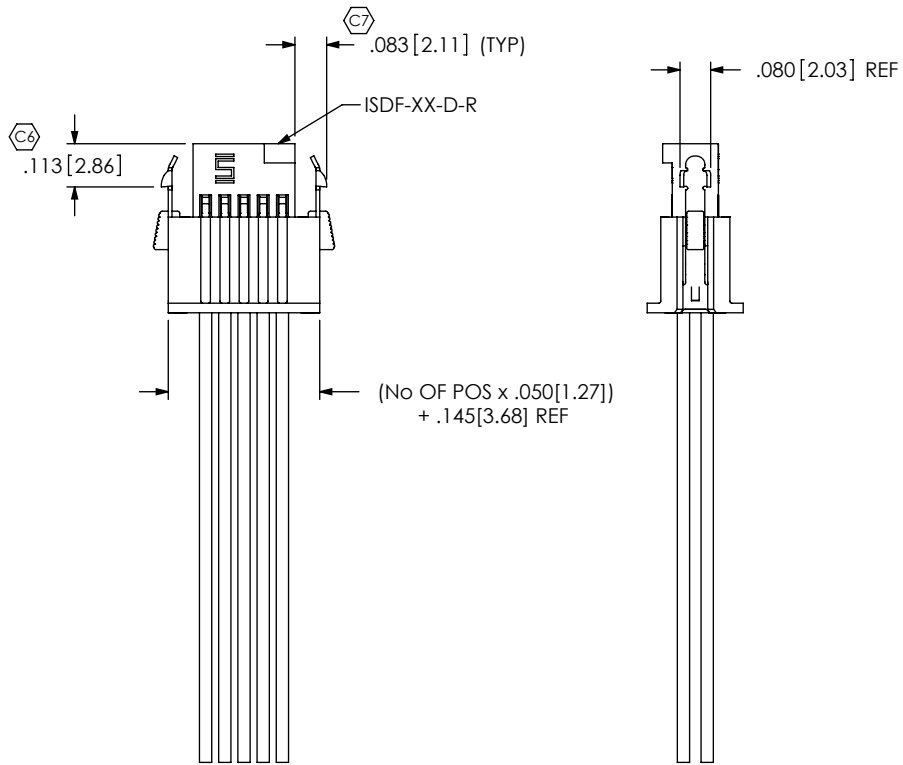
520 PARK EAST BLVD, NEW ALBANY, IN 47150  
PHONE: 812-944-6733 FAX: 812-948-5047  
e-Mail: info@SAMTEC.com code: 55322

DESCRIPTION:  
.050 [1.27] SOCKET DISCRETE CABLE ASSEMBLY

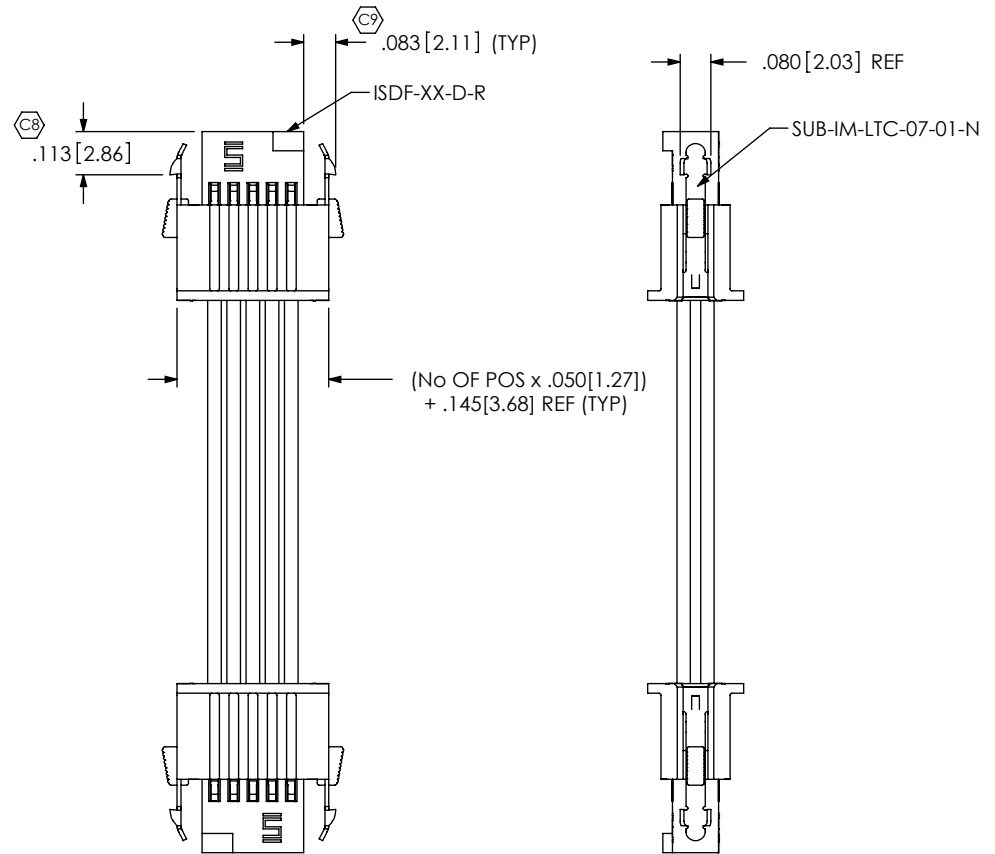
DWG. NO.  
SFSDX-XX-XXX-XX-XX.XX-XX-XXX

BY: BRATCHER 5/5/2005 SHEET 3 OF 4

**FIG. 5**  
 -SR: SINGLE END WITH RETENTION LATCH  
 (SFSDX-10-28-XX-XX.XX-SR SHOWN)  
 (ONLY AVAILABLE ON -05 THRU -30 POS)  
 (SAME AS FIG. 1, UNLESS OTHERWISE STATED)



**FIG. 6**  
 -DR: DOUBLE END WITH RETENTION LATCH  
 (SFSDX-10-28-XX-XX.XX-DR SHOWN)  
 (ONLY AVAILABLE ON -05 THRU -30 POS)  
 (SAME AS FIG. 1, UNLESS OTHERWISE STATED)



**SFSD color coded wire sequence**

pin #	COLOR									
	brown	red	orange	yellow	dk green	violet	gray	white	black	dk blue
1	2	3	4	5	6	7	8	9	10	
11	12	13	14	15	16	17	18	19	20	
21	22	23	24	25	26	27	28	29	30	
31	32	33	34	35	36	37	38	39	40	
41	42	43	44	45	46	47	48	49	50	
51	52	53	54	55	56	57	58	59	60	
61	62	63	64	65	66	67	68	69	70	
71	72	73	74	75	76	77	78	79	80	
81	82	83	84	85	86	87	88	89	90	
91	92	93	94	95	96	97	98	99	100	

F:\DWG\MISC\MKTG\SFSDX-XX-XXX-XX-XX.XX-XXX-MKT.SLDDRW

**PROPRIETARY NOTE**  
 THIS DOCUMENT CONTAINS INFORMATION  
 CONFIDENTIAL AND PROPRIETARY TO  
 SAMTEC, INC. AND SHALL NOT BE REPRODUCED  
 OR TRANSFERRED TO OTHER DOCUMENTS OR  
 DISCLOSED TO OTHERS OR USED FOR ANY  
 PURPOSE OTHER THAN THAT WHICH IT WAS  
 OBTAINED WITHOUT THE EXPRESSED WRITTEN  
 CONSENT OF SAMTEC, INC.

DO NOT SCALE DRAWING

SHEET SCALE: 4:1



520 PARK EAST BLVD, NEW ALBANY, IN 47150  
 PHONE: 812-944-6733 FAX: 812-948-5047  
 e-Mail: info@SAMTEC.com code: 55322

DESCRIPTION:  
 .050 [1.27] SOCKET DISCRETE CABLE ASSEMBLY

DWG. NO.  
**SFSDX-XX-XXX-XX-XX.XX-XX-XXX**

BY: BRATCHER 5/5/2005 SHEET 4 OF 4