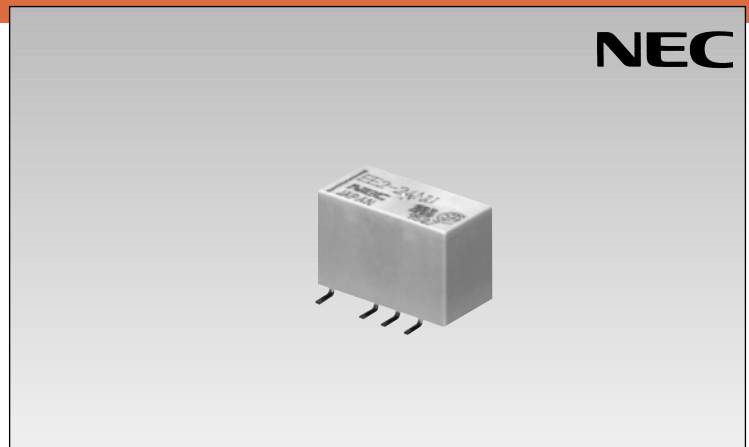


- Compact and Light Weight
- 2 Form C Contact Arrangement
- Low Power Consumption
- Reduced Mounting Space: 15mm x 9.5mm
- High-breakdown Voltage of Coil to Contacts: 1500 VAC, 2500 V (2 x 10 μs\*)
- Capable of High-power Switching: 700 VAC, 4.2 A, 4 times in case of accident
- UL Recognised (E73266), CSA Certified (LR46266)
- EN60950 version available on request
- Tube or Taped Packaging

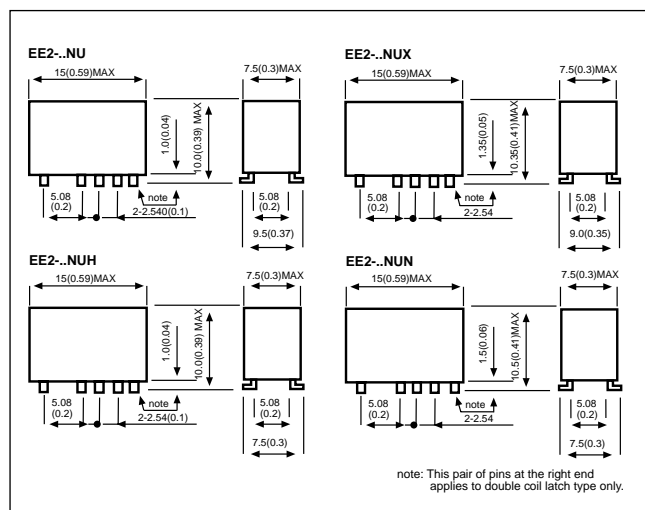


## Specifications

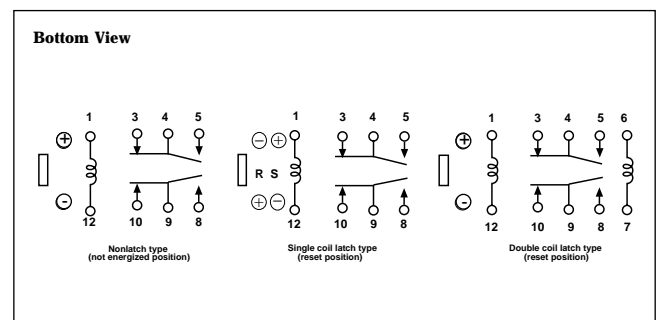
<b>Contact form</b>		2 Form C
<b>Contact material</b>		Silver alloy with gold alloy overlay
<b>Contact rating</b>	<b>Maximum switching power</b>	30W 125 VA (resistive)
	<b>Maximum switching voltage</b>	220VDC 250 VAC
	<b>Maximum switching current</b>	2A
	<b>Maximum carrying current</b>	2A
<b>Minimum contact ratings</b>		10 mVDC, 100 μA
<b>Initial contact resistance</b>		50 mΩ typ.
<b>Nominal operating power</b>	<b>Nonlatch type</b>	140 mW (3 to 12 V), 200 mW (24 V)
	<b>Single coil latch type</b>	100 mW
	<b>Double coil latch type</b>	140 mW
<b>Operate time (excluding bounce)</b>		Approximately 2 ms without diode
<b>Release time (excluding bounce)</b>		Approximately 1 ms without diode
<b>Insulation resistance</b>		1000 MΩ at 500 VDC
<b>Breakdown voltage</b>	<b>Between open contacts</b>	1000 VAC (for one minute)
	<b>Between adjacent contacts</b>	1500 V surge (10 x 160 μs <sup>*1</sup> )
	<b>Between coil to contacts</b>	1500 VAC (for one minute) 2500V surge (2 x 10 μs <sup>*2</sup> )
<b>Shock resistance</b>		735 m/s <sup>2</sup> (75G) (misoperating) 980 m/s <sup>2</sup> (100G) (destructive failure)
<b>Vibration resistance</b>		10-55Hz, double amplitude 3 mm (20G) (misoperating) 10-55Hz, double amplitude 5 mm (30G) (destructive failure)
<b>Ambient temperature</b>		-40°C to+ 85°C
<b>Coil temperature rise</b>		18 degrees at nominal coil voltage (140 mW)
<b>Running specifications</b>	<b>Nonload</b>	1 x 10 <sup>7</sup> operations
	<b>Load</b>	50 VDC, 0.1A (resistive) 1 x 10 <sup>6</sup> operations at 85°C 10 VDC, 10 mA (resistive) 1 x 10 <sup>6</sup> operations at 85°C
<b>Weight</b>		Approximately 1.9 g

\*1 rise time: 10 μs, fall time: 160 μs \*2 rise time: 2 μs, fall time: 10 μs

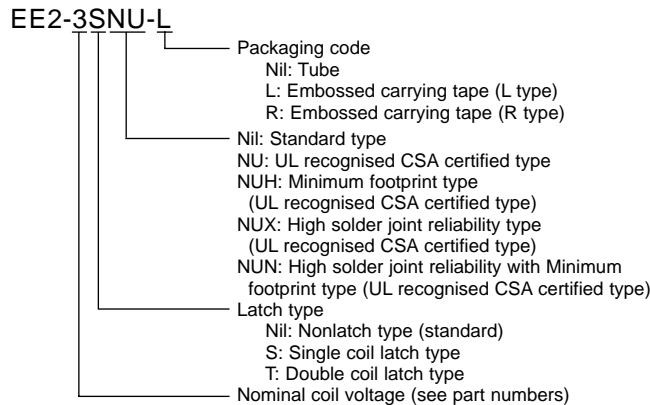
## Dimensions mm(inch)



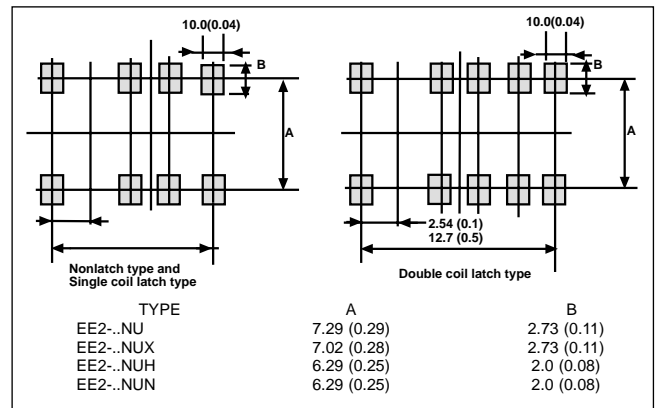
## Schematics



## Part Number System



## Pad layout (bottom view) mm(inch)



## Part Number

### Nonlatch type

at 25°C

Part Number (Standard)	Nominal Coil Voltage VDC	Coil Resistance $\Omega \pm 10\%$	Must Operate Voltage VDC	Must Release Voltage VDC
EE2-3	3	64.3	2.25	0.3
EE2-4.5	4.5	145	3.38	0.45
EE2-5	5	178	3.75	0.5
EE2-6	6	257	4.5	0.6
EE2-9	9	579	6.75	0.9
EE2-12	12	1028	9.0	1.2
EE2-24	24	2880	18.0	2.4

### Single Coil Latch type

at 25°C

Part Number (Standard)	Nominal Coil Voltage VDC	Coil Resistance $\Omega \pm 10\%$	Must Operate Voltage VDC	Must Release Voltage VDC
EE2-3S	3	90	2.25	2.25
EE2-4.5S	4.5	202.5	3.38	3.38
EE2-5S	5	250	3.75	3.75
EE2-6S	6	360	4.5	4.5
EE2-9S	9	810	6.75	6.75
EE2-12S	12	1440	9.0	9
EE2-24S	24	5760	18.0	18

### Double Coil Latch type

at 25°C

Part Number (Standard)	Nominal Coil Voltage VDC	Coil Resistance $\Omega \pm 10\%$	Must Operate Voltage VDC	Must Release Voltage VDC
EE2-3T	3	S 64.3	2.25	-
		R 64.3	-	2.25
EE2-4.5T	4.5	S 145	3.38	-
		R 145	-	3.38
EE2-5T	5	S 178	3.75	-
		R 178	-	3.75
EE2-6T	6	S 257	4.5	-
		R 257	-	4.5
EE2-9T	9	S 579	6.75	-
		R 579	-	6.75
EE2-12T	12	S 1028	9.0	-
		R 1028	-	9.0
EE2-24T	24	S 4114	18.0	-
		R 4114	-	18.0

Note S: Set Coil (pin No. 1 and 12) R: Reset Coil (pin No. 6 and 7)