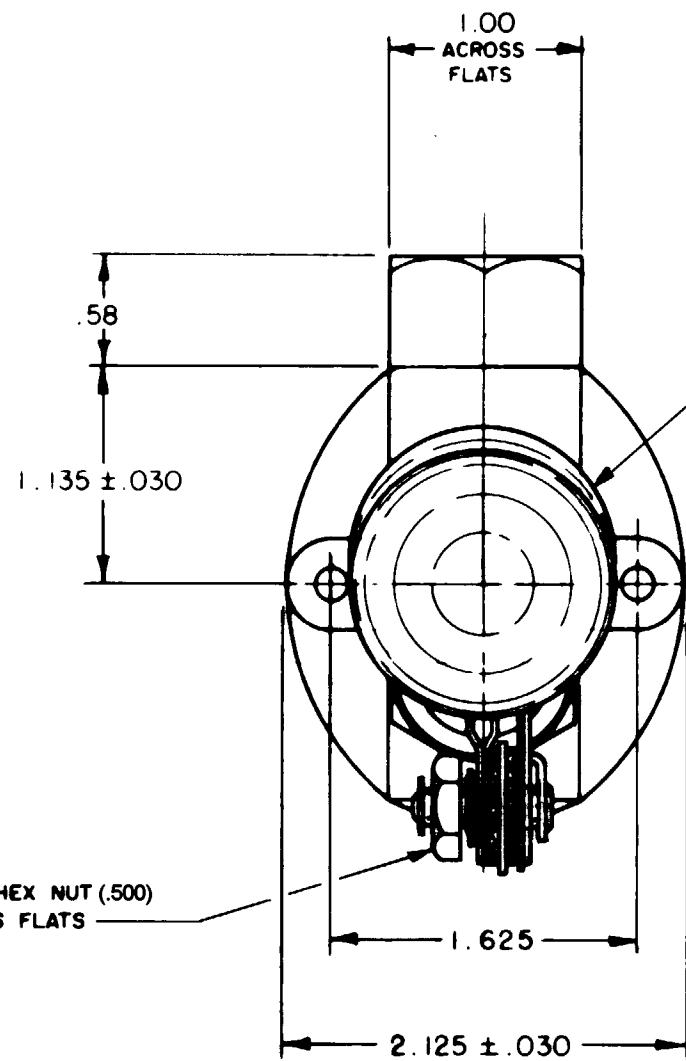


HONEYWELL
PART NUMBER

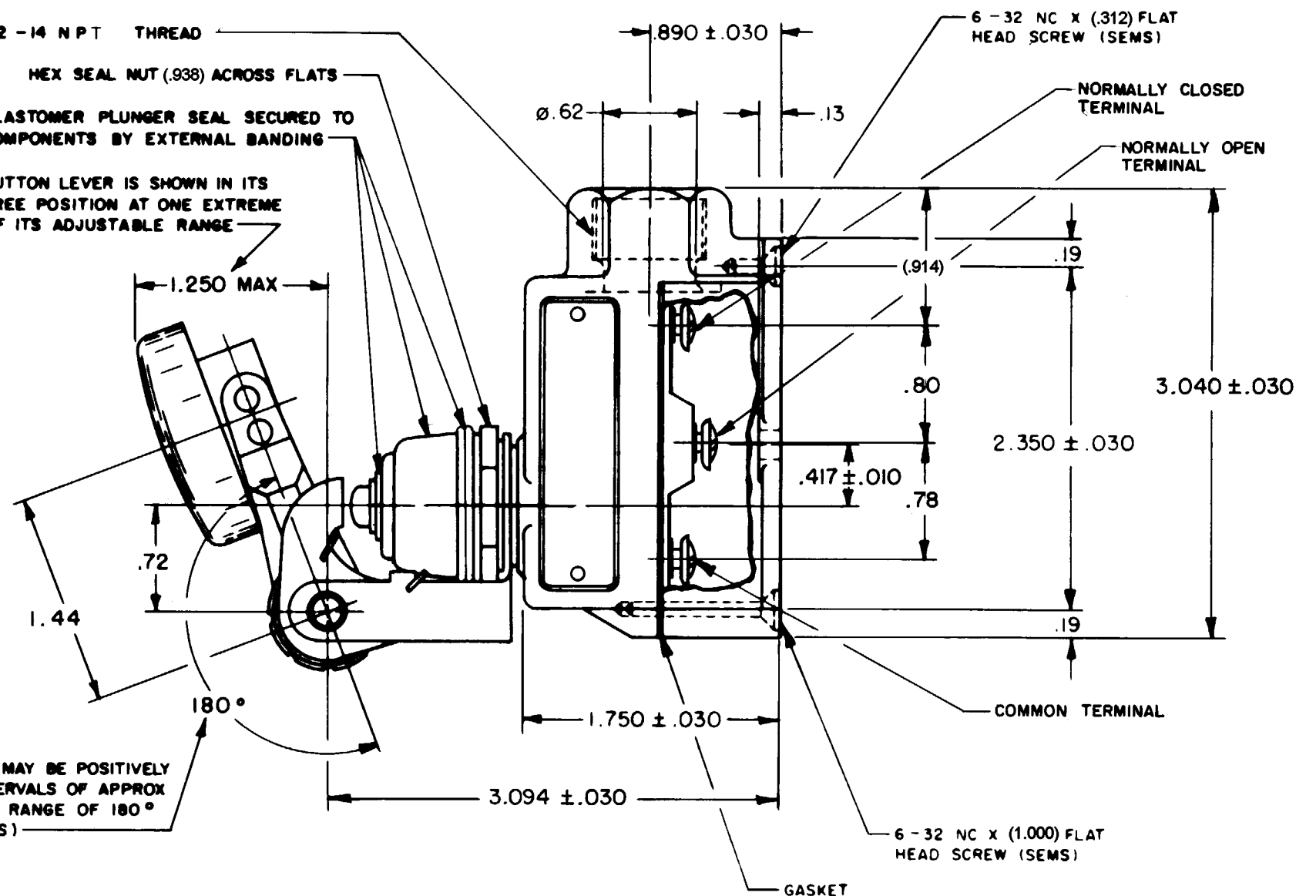
BZV6-2RN4

REV	DOCUMENT	CHANGED BY	CHECK
9	0081896	NMN 21SEP11	CMH



1/2 -14 NPT THREAD
HEX SEAL NUT (.938) ACROSS FLATS
ELASTOMER PLUNGER SEAL SECURED TO COMPONENTS BY EXTERNAL BANDING
BUTTON LEVER IS SHOWN IN ITS FREE POSITION AT ONE EXTREME OF ITS ADJUSTABLE RANGE

Ø1.5 ALUMINUM BUTTON



BUTTON LEVER MAY BE POSITIVELY LOCKED AT INTERVALS OF APPROX 0.2° WITHIN A RANGE OF 180° (990 POSITIONS)

NOTES

- 1 - 3X 6-32 UNC X (.219) TERMINAL SCREW AND CUPWASHER
- 2 - BUTTON LEVER BRACKET ASSEMBLY MAY BE SET AT ANY POSITION AROUND AXIS OF PLUNGER
- 3 - SEALED FOR NEMA 1, 3, 4 AND IP 66 RATING

RELEASE NO: SR9893

CHARACTERISTICS		ELECTRICAL DATA		DESIGN UNITS: INCH		DRAWN		KLB		25OCT61		Honeywell					
OPERATING FORCE----- 10 - 20 OZ		CONTACT ARRANGEMENT		TOLERANCES UNLESS NOTED:		CHECK		GCH		26OCT61						TITLE SWITCH - ENCLOSED	
RELEASE FORCE----- 6 OZ MIN		S P D T		NO PLACES .X ±		THIS DRAWING COVERS A PROPRIETARY ITEM AND IS THE PROPERTY OF HONEYWELL. THIS DRAWING IS NOT TO BE COPIED OR USED WITHOUT THE PERMISSION OF HONEYWELL.		SIZE		TYPE		CAGE CODE		DRAWING NAME			
PRETRAVEL----- .188 MAX		15A-125, 250 OR 480 VAC, 2A-600 VAC		ONE PLACE .X ±		.030		B		I		-		BZV6-2RN4		9	
DIFFERENTIAL TRAVEL----- .006 MAX		-L74- 1/8 HP - 125 VAC; 1/4 HP - 250 VAC		TWO PLACE .XX ±		.015		INTERPRET PER ANSI Y14.5M-1982		SCALE		NONE		WEIGHT		.76 LB	
OVERTRAVEL----- .219 MIN		1/2A - 125 VDC; 1/4A-250 VDC		THREE PLACE .XXX ±		.005		OTHER HONEYWELL ENGINEERING STANDARDS MAY APPLY		SHEET		1		OF		1	
SWITC-BASIC REPLACEMENT----- BZ-7RN702		CE 1.5A, 240VAC		ANGLES X ±		0°		RASTER		SHEET		1		OF		1	
		THIRD ANGLE PROJECTION															