

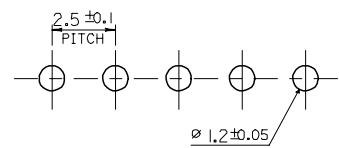
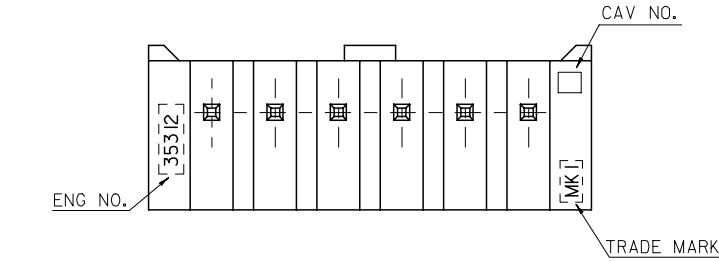
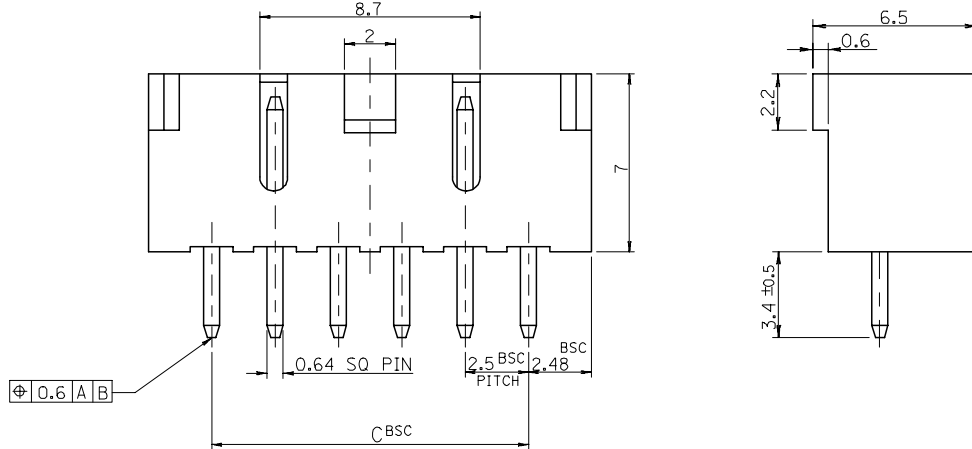
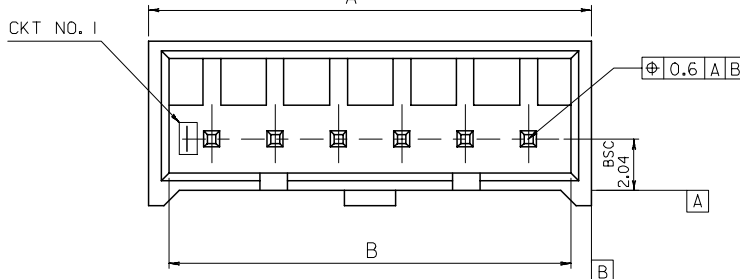
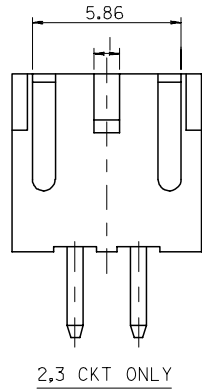
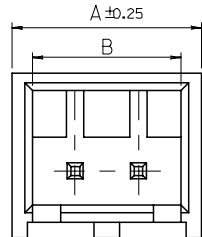
DWG. NO. SD-35312-001

SIMILAR ITEM 35312-***1*

PROJECT NO.

B

DO NOT SCALE DRAWING
DIMENSION IN METRIC



P.C. BOARD LAYOUT
THK.: 1.6±

NOTE

1. MATERIAL: WAFER : NYLON66, GLASS FILLED 20%
PIN : BRASS, TIN PLATED

② LEGEND

35312 - ** 6 *

COLOR : 0 --- NATURAL
2 --- RED
3 --- YELLOW
4 --- BLUE

CKT(02,03,04....)

3. THIS PRODUCT SHALL BE COMPLIED WITH
ROHS COMPATIBLE(LEAD FREE SOLDERABILITY)

| | | | | |
|------|-------|-------|------------|---------|
| 35 | 38.36 | 39.96 | 35312-156* | 15 |
| 32.5 | 35.86 | 37.46 | -146* | 14 |
| 30 | 33.36 | 34.96 | -136* | 13 |
| 27.5 | 30.86 | 32.46 | -126* | 12 |
| 25 | 28.36 | 29.96 | -116* | 11 |
| 22.5 | 25.86 | 27.46 | -106* | 10 |
| 20 | 23.36 | 24.96 | -096* | 9 |
| 17.5 | 20.86 | 22.46 | -086* | 8 |
| 15 | 18.36 | 19.96 | -076* | 7 |
| 12.5 | 15.86 | 17.46 | -066* | 6 |
| 10 | 13.36 | 14.96 | -056* | 5 |
| 7.5 | 10.86 | 12.46 | -046* | 4 |
| 5 | 8.36 | 9.96 | -036* | 3 |
| 2.5 | 5.86 | 7.46 | 35312-026* | 2 |
| C | B | A | ENG NO. | CKT NO. |

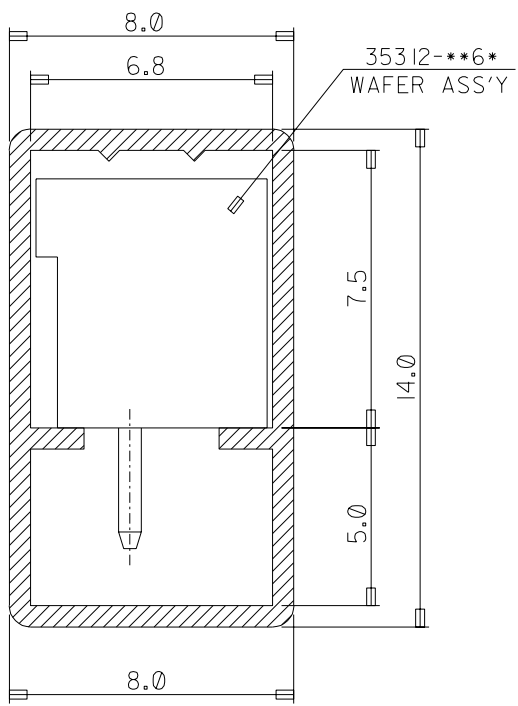
| | | | | | | | | | | |
|--------------------------------------------------------------------------------------------|---------------------------------------|-------------------------------------------|------|-----------------------------------------------------------------------------------------------------------------------------------|--------------------------------------------------------------------------------------|----------------------------------------------------------|----------------------------------------------------------------------------------------------------------------------|-----------------------------|-----|---------------------|
| REVISED ECN NO. KOR2006-0105 DRWN: K.S.KIM 060323 CHK: K.S.KIM APPR: Y.SOO.KIM | DESCRIPTION MAJOR CRITICAL C | GENERAL TOLERANCES: (UNLESS SPECIFIED) | | SCALE 5-1 | DESIGN UNITS <input checked="" type="checkbox"/> mm <input type="checkbox"/> INCH | THIRD ANGLE PROJECTION | DIMENSIONS: <input type="checkbox"/> mm <input type="checkbox"/> INCH <input checked="" type="checkbox"/> mm ONLY | | SHT | REV |
| | | 4 PLACES ±0. | ±. | INCH | ±. | | mm | mm | mm | mm |
| 3 PLACES ±0. | | ±. | INCH | ±. | mm | mm | mm | mm | mm | mm |
| 2 PLACES ±0. | | ±. | INCH | ±. | mm | mm | mm | mm | mm | mm |
| 1 PLACE ±0.2 | | ±. | INCH | ±. | mm | mm | mm | mm | mm | mm |
| ANGULAR: ± 2 ° | | | | DRAWN BY & DATE H.S.SHIN | | TITLE: 2.5 PITCH W/B CONN. WAFER ASS'Y (WITH LOCK) | | | | |
| | | | | CHECKED BY & DATE Y.SOO.KIM | | MOLEX INCORPORATED | | | | |
| | | | | APPROVED BY & DATE S.H.CHOI | | MATERIAL NO. 35312**6* | | DRAWING NO. SD-35312-001 | | SHEET NO. 1 OF 1 |
| DRAFT WHERE APPLICABLE MUST REMAIN WITHIN DIMENSIONS | | | | CAD FILENAME | | | | | | SIZE B |
| | | | | THIS DRAWING CONTAINS INFORMATION THAT IS PROPRIETARY TO MOLEX INCORPORATED AND SHOULD NOT BE USED WITHOUT WRITTEN PERMISSION. | | | | | | KOREA MX-A3 |

PROJECT NO. SIMILAR ITEM DWG. NO. SD-35312-004

5 4 3 2 1

NOTE

1. TUBE THK. : 0.6+
2. LENGTH : 600mm
3. THIS PRODUCT SHALL BE COMPLIED WITH RoHS COMPATIBLE (LEAD FREE SOLDERABILITY)



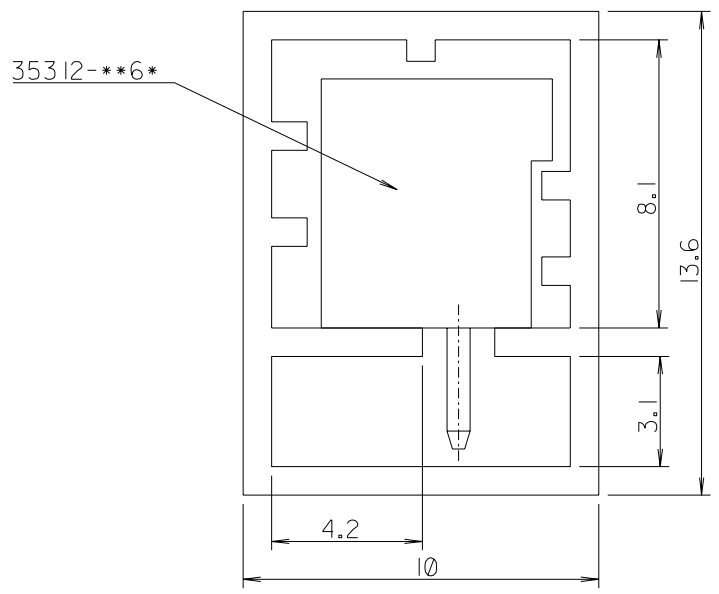
| | | | |
|------|------------|------|--------------|
| 10 | 35312-1568 | 15P | 35312 SERIES |
| 15 | -0468 | 14P | |
| 15 | -1468 | 13P | |
| 15 | -1268 | 12P | |
| 15 | -1168 | 11P | |
| 20 | -1068 | 10P | |
| 20 | -0968 | 9P | |
| 25 | -0868 | 8P | |
| 25 | -0768 | 7P | |
| 30 | -0668 | 6P | |
| 35 | -0568 | 5P | |
| 45 | -0468 | 4P | |
| 55 | 35312-0368 | 3P | |
| Q'TY | ENG NO. | CKT. | USED ON |

| | | | | | | | | | | |
|------------------------------------------------------------------------------------------------|--------------------------------------|------------------------------------------------------|------|--------------|--------------------------------------------------------------------------------------------------------------------------------|-----------------------------|----------------------------------------------------------------------------------------------------------------------|------------------|-----|-----------|
| NEW RELEASED EC NO. KOR2005-0066 DRWN: K.S.KIM 040722 CHK: Y.Soo.KIM APPR: C.W.LEE | DESCRIPTION MAJOR = CRITICAL = | GENERAL TOLERANCES: (UNLESS SPECIFIED) | | SCALE 5-1 | DESIGN UNITS <input checked="" type="checkbox"/> mm <input type="checkbox"/> INCH | THIRD ANGLE PROJECTION | DIMENSIONS: <input type="checkbox"/> mm <input type="checkbox"/> INCH <input checked="" type="checkbox"/> mm ONLY | SHT | REV | |
| | | 4 PLACES | ±0. | ±. | DRAWN BY & DATE K.S.KIM | | TITLE: PACKING FOR 35312 (S/S C-TV) | | | |
| A | REV | 3 PLACES | ±0. | ±. | CHECKED BY & DATE Y.Soo.KIM | | MOLEX INCORPORATED | | | |
| | | 2 PLACES | ±0. | ±. | APPROVED BY & DATE C.W.LEE | | | | | |
| | | 1 PLACE | ±0.3 | ±. | CAD FILENAME | MATERIAL NO. 35312-***68 | DRAWING NO. SD-35312-004 | SHEET NO. 1/1 | | |
| | | DRAFT WHERE APPLICABLE MUST REMAIN WITHIN DIMENSIONS | | | THIS DRAWING CONTAINS INFORMATION THAT IS PROPRIETARY TO MOLEX INCORPORATED AND SHOULD NOT BE USED WITHOUT WRITTEN PERMISSION. | | | | | SIZE A |

5 4 3 2 1 MX-A4

PROJECT NO. SIMILAR ITEM DWG. NO. SD-35312-005

35312-**-19



- NOTE
1. TUBE LENGTH : 550mm
 2. TUBE THICKNESS : 0.8mm
 3. THIS PRODUCT SHALL BE COMPLIED WITH RoHS COMPATIBLE(LEAD FREE SOLDERABILITY)

| | | | |
|------|------------|------|--------------|
| 10 | 35312-1569 | 15 | 35312 SERIES |
| 10 | -1469 | 14 | |
| 10 | -1369 | 13 | |
| 15 | -1269 | 12 | |
| 15 | -1169 | 11 | |
| 15 | -1069 | 10 | |
| 20 | -0969 | 9 | |
| 20 | -0869 | 8 | |
| 25 | -0769 | 7 | |
| 30 | -0669 | 6 | |
| 35 | -0569 | 5 | |
| 40 | -0469 | 4 | |
| 50 | -0369 | 3 | |
| 70 | 35312-0269 | 2 | |
| Q'TY | ENG NO. | CKTS | |

| | | | | | | | | | | | | | |
|------------------------------------------------------------------------------------------------|----------------------------------|-----------------|------|--------------------------------------------------------------------------------------------------------------------------------|-------------------|--------------|--------------------------------------------------------------------------------------|----------------------------------------------------------------------------------------------------------|------------------------|-----------------------------|------------|---------------------|--|
| NEW RELEASED EC NO. KOR2005-0066 DRWN: K.S.KIM 041008 CHK: Y.Soo.KIM APPR: C.W.LEE | DESCRIPTION MAJOR CRITICAL | QUALITY SYMBOLS | | GENERAL TOLERANCES: (UNLESS SPECIFIED) | | SCALE 5-1 | DESIGN UNITS <input checked="" type="checkbox"/> mm <input type="checkbox"/> INCH | <input type="checkbox"/> mm <input type="checkbox"/> INCH <input checked="" type="checkbox"/> mm ONLY | THIRD ANGLE PROJECTION | DIMENSIONS: | SHT REV | REVISE ON CAD ONLY | |
| | | 4 PLACES | ±0. | ±. | DRAWN BY & DATE | | TITLE: TUBE PACKAGED FOR 35312 SERIES | | | | | | |
| | | 3 PLACES | ±0. | ±. | H.S.SHIN | | | | | | | | |
| | | 2 PLACES | ±0. | ±. | CHECKED BY & DATE | | MOLEX MOLEX INCORPORATED | | | | | | |
| | | 1 PLACE | ±0.3 | ±. | Y.Soo.KIM | | | | | | | | |
| ANGULAR: ± 2 ° | | | | APPROVED BY & DATE C.W.LEE | | CAD FILENAME | | MATERIAL NO. 35312**69 | | DRAWING NO. SD-35312-005 | | SHEET NO. 1 OF 1 | |
| DRAFT WHERE APPLICABLE MUST REMAIN WITHIN DIMENSIONS | | | | THIS DRAWING CONTAINS INFORMATION THAT IS PROPRIETARY TO MOLEX INCORPORATED AND SHOULD NOT BE USED WITHOUT WRITTEN PERMISSION. | | | | | | SIZE A | | | |