

3A-041WE-XX 5 WATT SERIES

- 1 year warranty
- Safety: GS, CB, CE
- RoHS Compliant
- CEC Compliant
- Universal AC Input 90—264Vac
- Low ripple & noise
- No minimum load requirement
- 100% burn in test



Information	Model No.	3A-041WE-05	3A-041WE-09	3A-041WE-12
	Part No.	T4108ST	T4109ST	T4107ST

Output	Voltage	5VDC	9VDC	12VDC
	Current (Max)	1A	0.55A	0.42A
	Current (Min)	0A		
	Line Regulation	+/-1%		
	Load Regulation	+/-5%		
	Over-Voltage Protection	Zener Clamped O/P Shutdown		
	Short Circuit Protection	O/P Shutdown Auto Restart		
	Ripple Voltage (L.F)	100mV P-P	100mV P-P	120mV P-P
O/P Connector	(1.5M Jack Lead) 2.1x5.5x12mm, Centre +VE R/A			

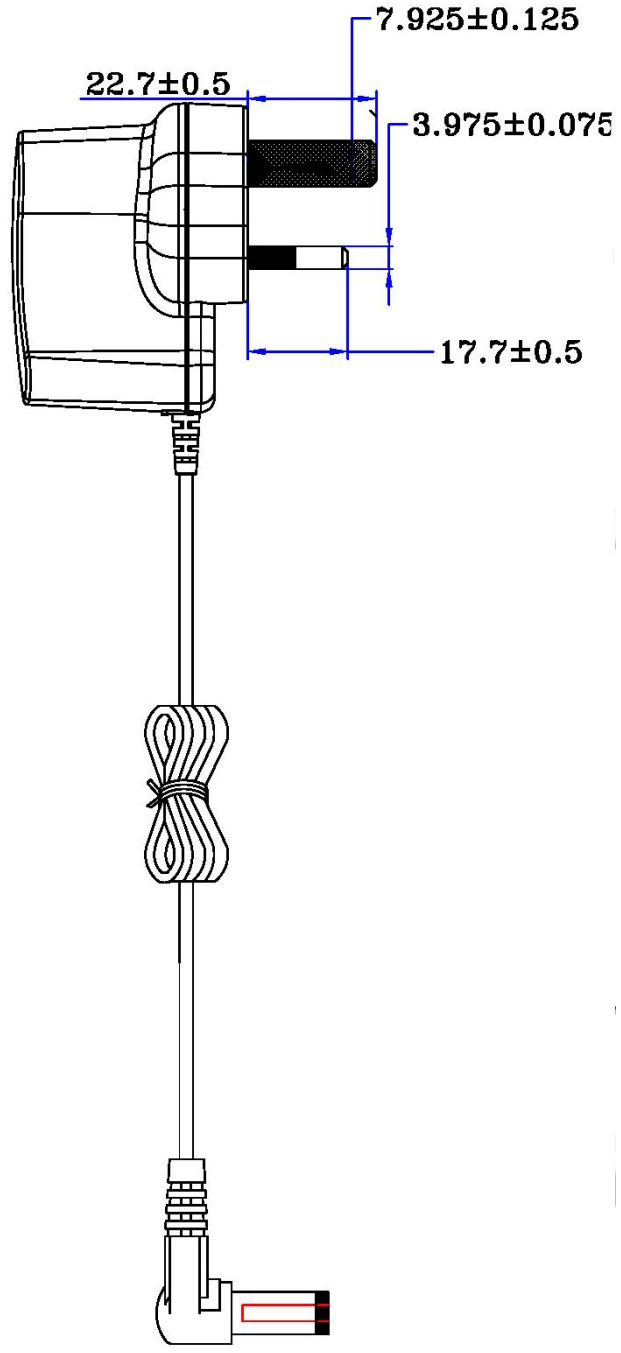
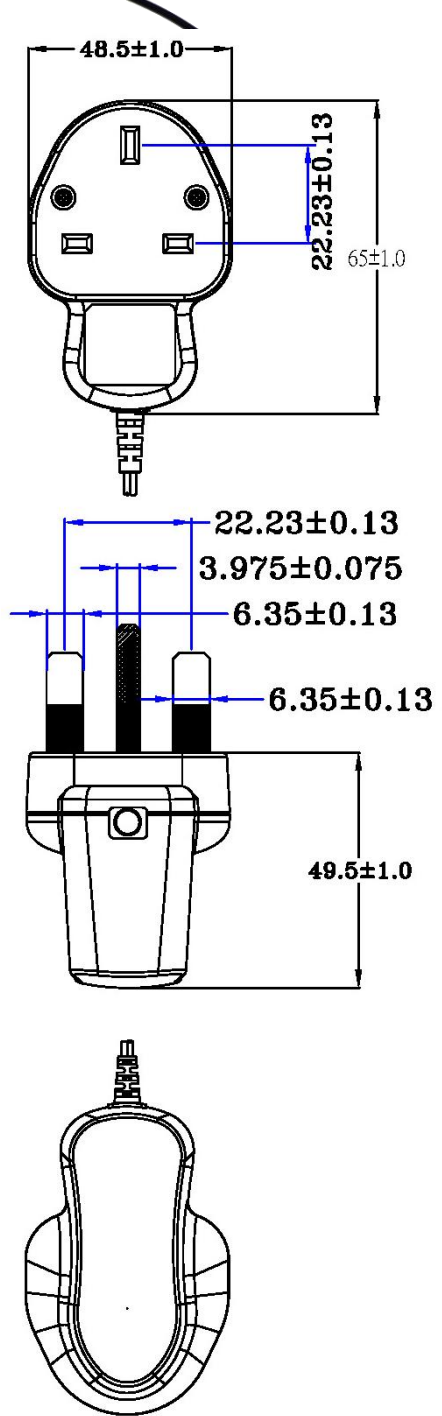
Environment	Operating Temp.	0 to 40°C
	Storage Temp.	-10 to 70 °C
	Operating Humidity	20 to 80% RH Non-Condensing
	Storage Humidity	10 to 90% RH Non-Condensing

Input	Voltage Range	90 to 264VAC
	Frequency	47 to 63Hz
	Current RMS (Max)	200mA
	In-rush Current	15A/30A
	Leakage Current	0.25mA

Other	Efficiency	64.5% (CEC Compliant)
	I/P Power (No Load)	<0.3W (CEC Compliant)
	MTBF	50K Hours
	Dimensions	See Diagram on following page

Safety & EMC	Hi Pot Test I/P-O/P	1.5KVAC or 2121VDC
	Insulation I/P-O/P	100Mohm
	Safety & Certification	Safety - EN 60950-1, IEC 60950-1, UL 60950-1, CSA C22.2 No. 60950-1 EMI - C CFR 47 PART 15, EN 55022, EN 61000-3 EMC - EN 55024 (EN61024-3), EN 61000-4

3A-041WE-XX 5 WATT SERIES
Additional Information
Dimensional Drawing





3A-041WE-XX 5 WATT SERIES

Additional Information
Label & Output Jack

