

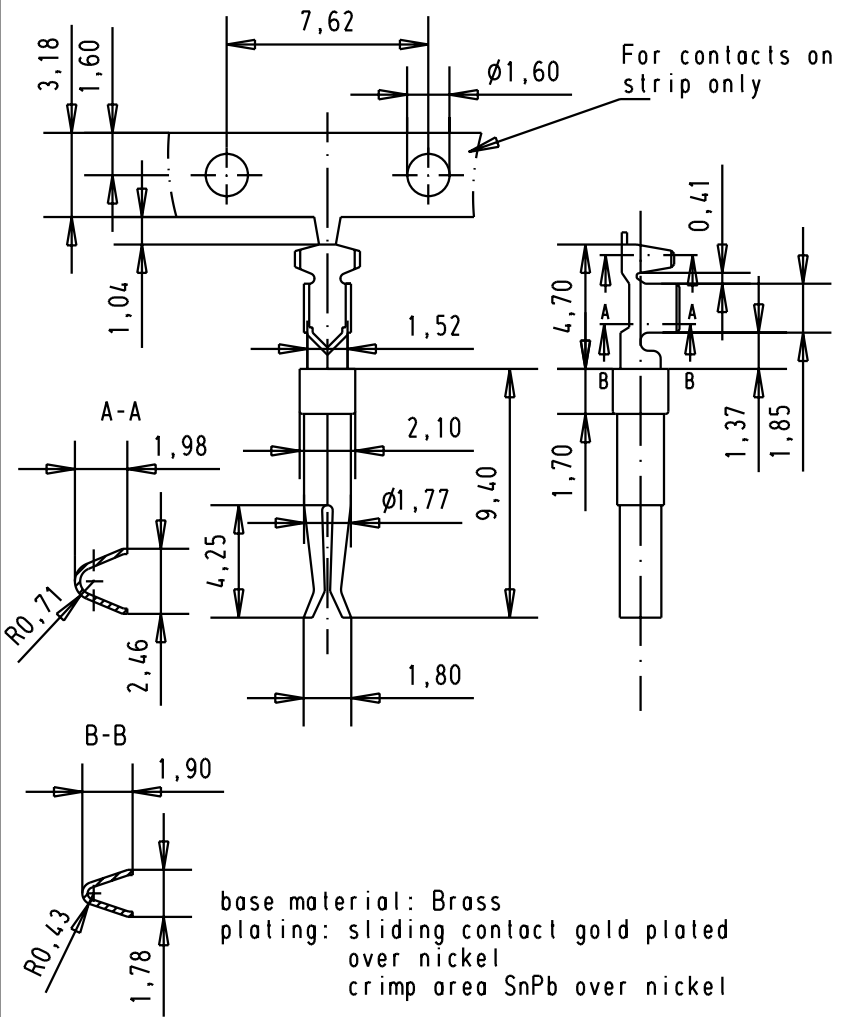
5

4

3

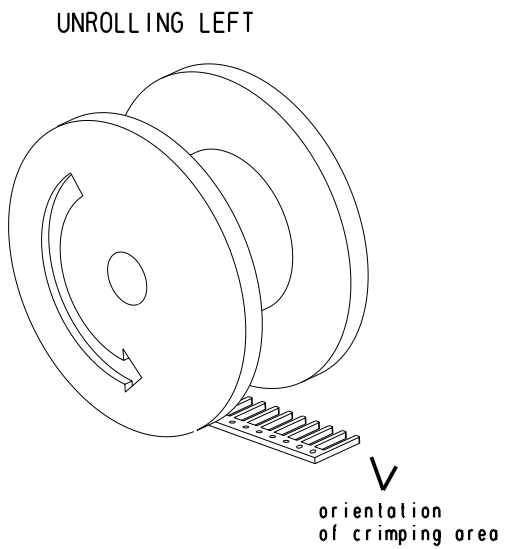
2



1



base material: Brass  
 plating: sliding contact gold plated  
 over nickel  
 crimp area SnPb over nickel

STAMPED FEMALE CRIMP CONTACTS				
Number of contacts/reel	Wire gauge AWG	PL S4	PL 3	PL 2
500	AWG 20-24	0967 000 8265	0967 000 8267	0967 000 8268



				Dat.	Name	 All Dim. in mm Orig. Size DIN A 4	D-Sub, Stamped Female crimp Contacts AWG 20-24 500 /reel, unrolling left	Maßstab/ Scale 3.5:1
			Detail.	24-MAR-03	PP			
			Insp.					
			Stand.					
31476	24-MAR-03	PP	HARTING EURL F-95972 Paris				TB 0967 000 826X	Blatt/ Page 1/
Mod.	Dat.	Name						