

PLEASE CHECK WWW.MOLEX.COM FOR LATEST PART INFORMATION

Part Number: [0351510210](#)
Status: **Active**
Overview: VersaBlade™
Description: 6.20mm (.244") Pitch Wire-to-Wire VersaBlade™ Hybrid Receptacle Housing, 2 Circuits, Polyester UL94V-0, Natural

Documents:

3D Model	Product Specification PS-35524-001 (PDF)
Drawing (PDF)	RoHS Certificate of Compliance (PDF)
Product Specification PS-35150-001 (PDF)	

Agency Certification

CSA	LR19980
TUV	R72090206
UL	E29179

General

Product Family	Crimp Housings
Series	35151
Comments	Polarized to Mating Part, Positive Lock
Overview	<u>VersaBlade™</u>
Product Name	VersaBlade™

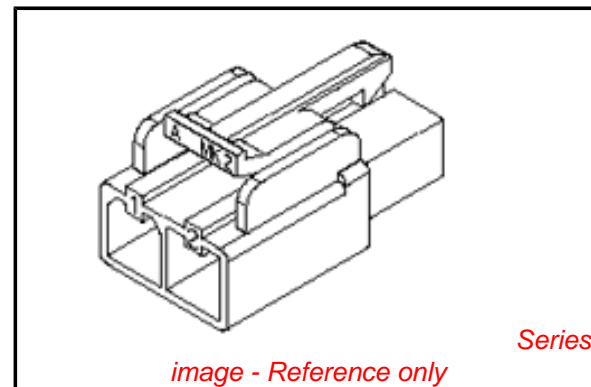
Physical

Circuits (maximum)	2
Color - Resin	Natural
Flammability	94V-0
Gender	Female
Glow-Wire Compliant	No
Keying to Mating Part	None
Lock to Mating Part	Yes
Material - Resin	Polyester
Number of Rows	1
Packaging Type	Bag
Panel Mount	No
Pitch - Mating Interface (in)	0.244 In
Pitch - Mating Interface (mm)	6.20 mm
Polarized to Mating Part	Yes
Stackable	No
Temperature Range - Operating	-40°C to +120°C

Material Info

Reference - Drawing Numbers

Product Specification	PS-35150-001, PS-35524-001
Sales Drawing	SD-35151-021*



EU RoHS

ELV and RoHS Compliant
REACH SVHC
 Not Reviewed
Halogen-Free
Status
Not Reviewed

China RoHS



Need more information on product environmental compliance?

Email productcompliance@molex.com
 For a multiple part number RoHS Certificate of Compliance, [click here](#)

Please visit the [Contact Us](#) section for any non-product compliance questions.

Search Parts in this Series

[35151Series](#)

Mates With

[35150-021*](#) Plug Housings

Use With

[35746](#) VersaBlade™ Crimp Terminals