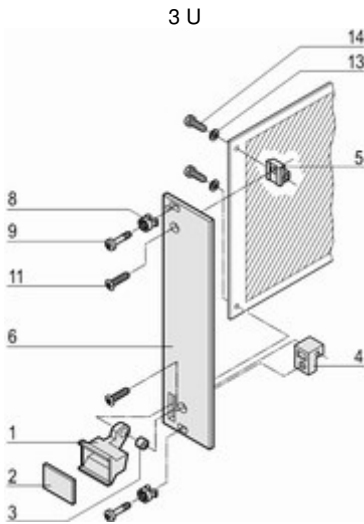


Plug-in units type 2 with extraction handle – front panel shielded



Article number: 20817-443

- For 6 U, the board location can be moved 1 HP to the right by swapping the upper and lower printed board brackets. This creates space for SMD components on the left-hand side (solder side).

Delivery quantity: (kit)

Item	Qty	Description
1	1	Extraction handle, PPE, grey, at bottom
1a	–	Extraction handle, PPE, grey, at top
2	1	Identification plate, 1.5 mm aluminium, anodised, cut edges clean
3	1	Pivot bush, brass
4	1	Printed board bracket, diecast zinc, at bottom
4a	–	Printed board bracket, diecast zinc, at top
5	1	Printed board bracket, diecast zinc
6	1	Front panel for handle, front anodised, rear yellow chromated
8	2	Sleeve, PA, grey, up to 7 HP front panel width
8	4	Sleeve, PA, grey, up to 8 HP front panel width
9	2	Collar screw, cross recess/slot, nickel-plated steel, M2.5 × 12.3, up to 7 HP front panel width
9	4	Collar screw, cross recess/slot, nickel-plated steel, M2.5 × 12.3, up to 8 HP front panel width
11	1	Raised countersunk head screw, M2.5 × 8
13	2	Washer, A2.7
14	2	Pozidrive flathead screw with cross recess, nickel-plated steel, M2.5 × 10

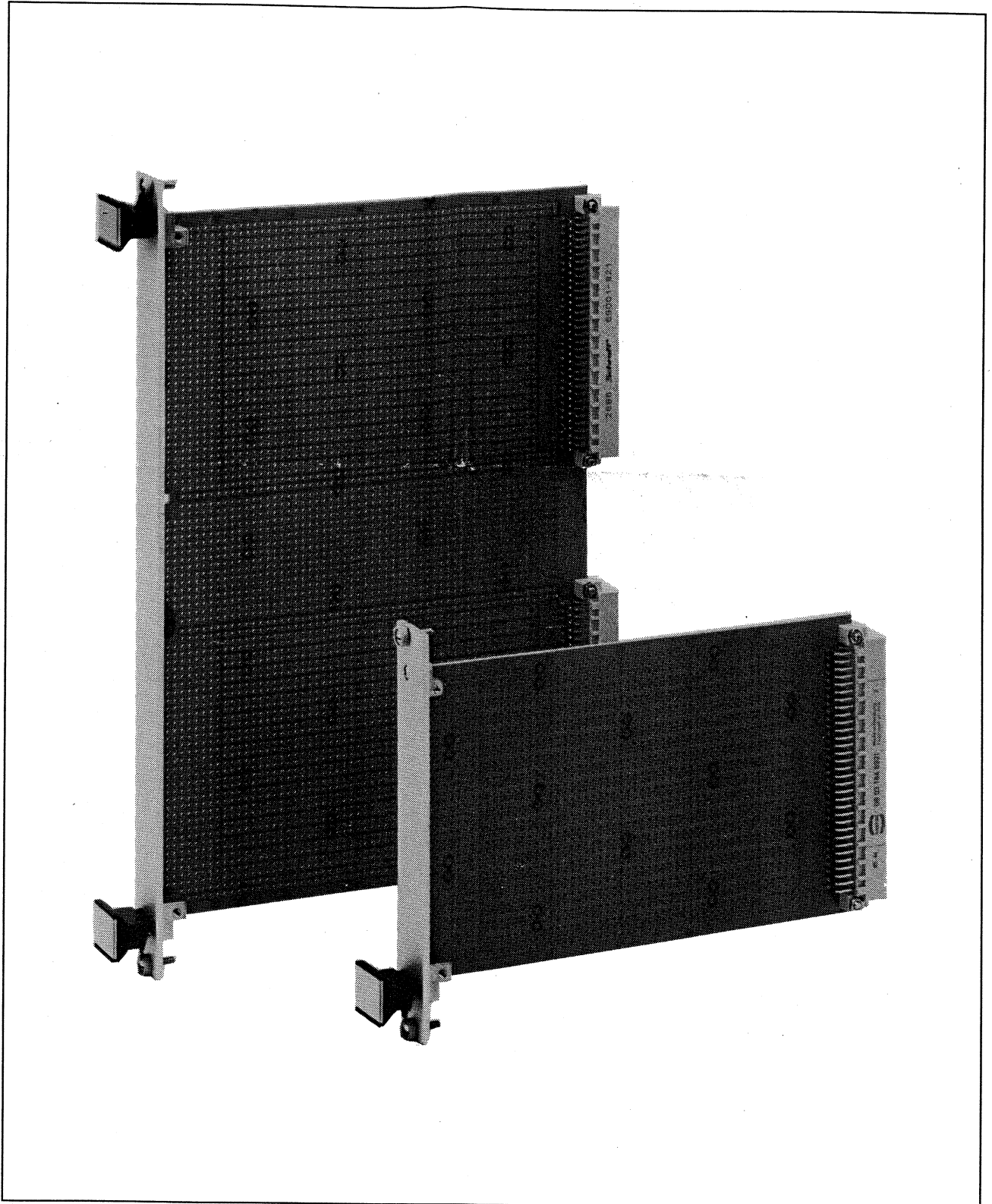
Technical data:

Width	Height
4 HP	3 U

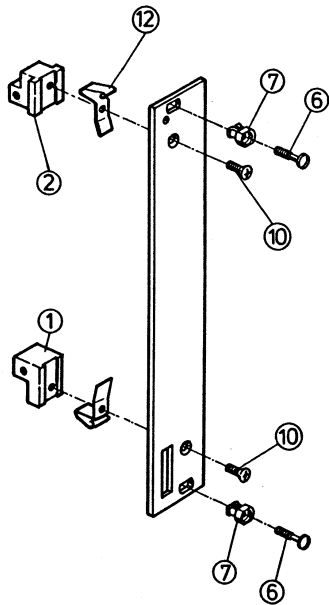
**Montageanweisung
Aushebegriff für
Steckbaugruppen
Trapezform**

**Assembly Instructions
Plug-in Units Type 2
with Extractor Handle C**

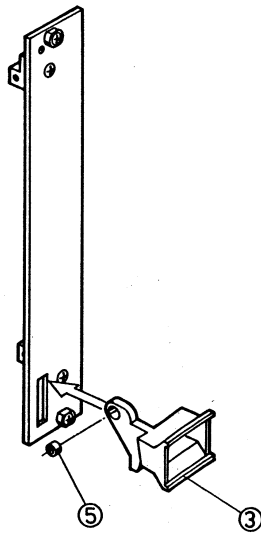
**Instructions de montage
poignée d'extraction
trapézoïdale pour bloc c**



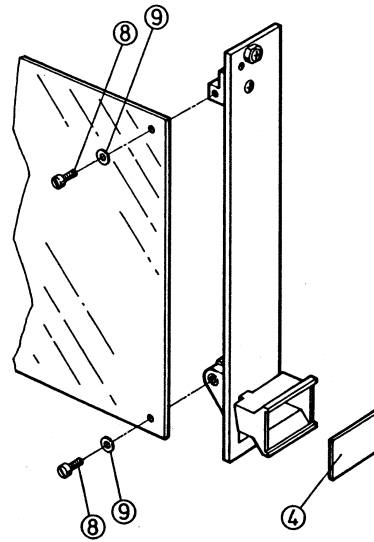
3 HE Standard



3 U standard

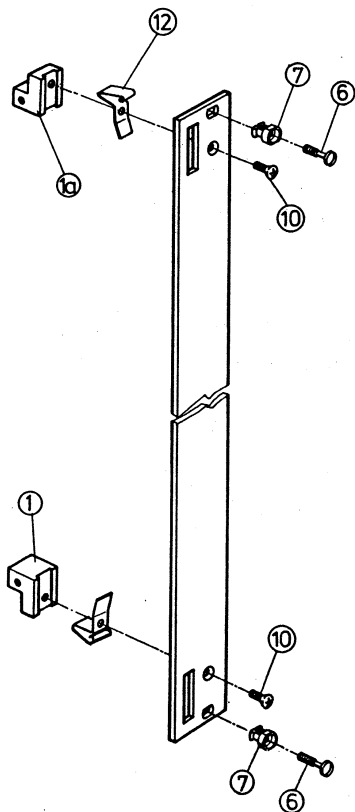


3 U standard

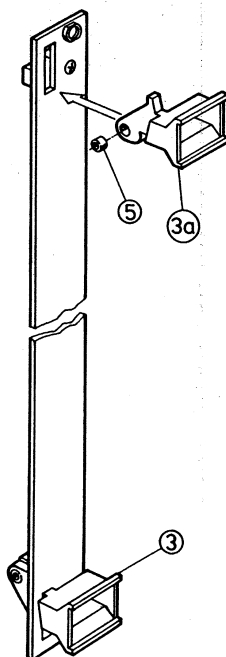


A3/354

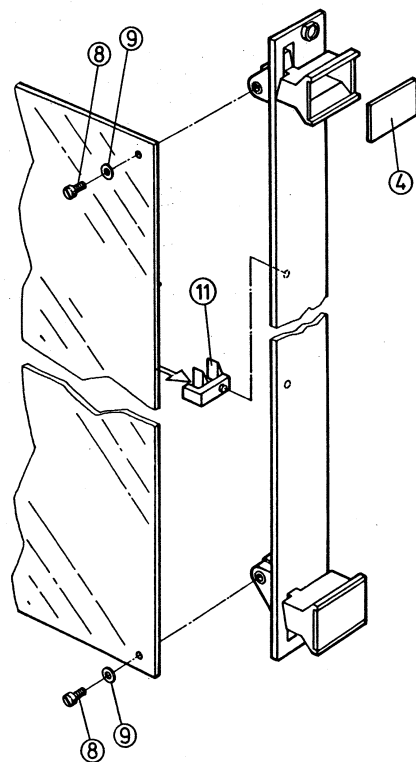
6 HE Standard



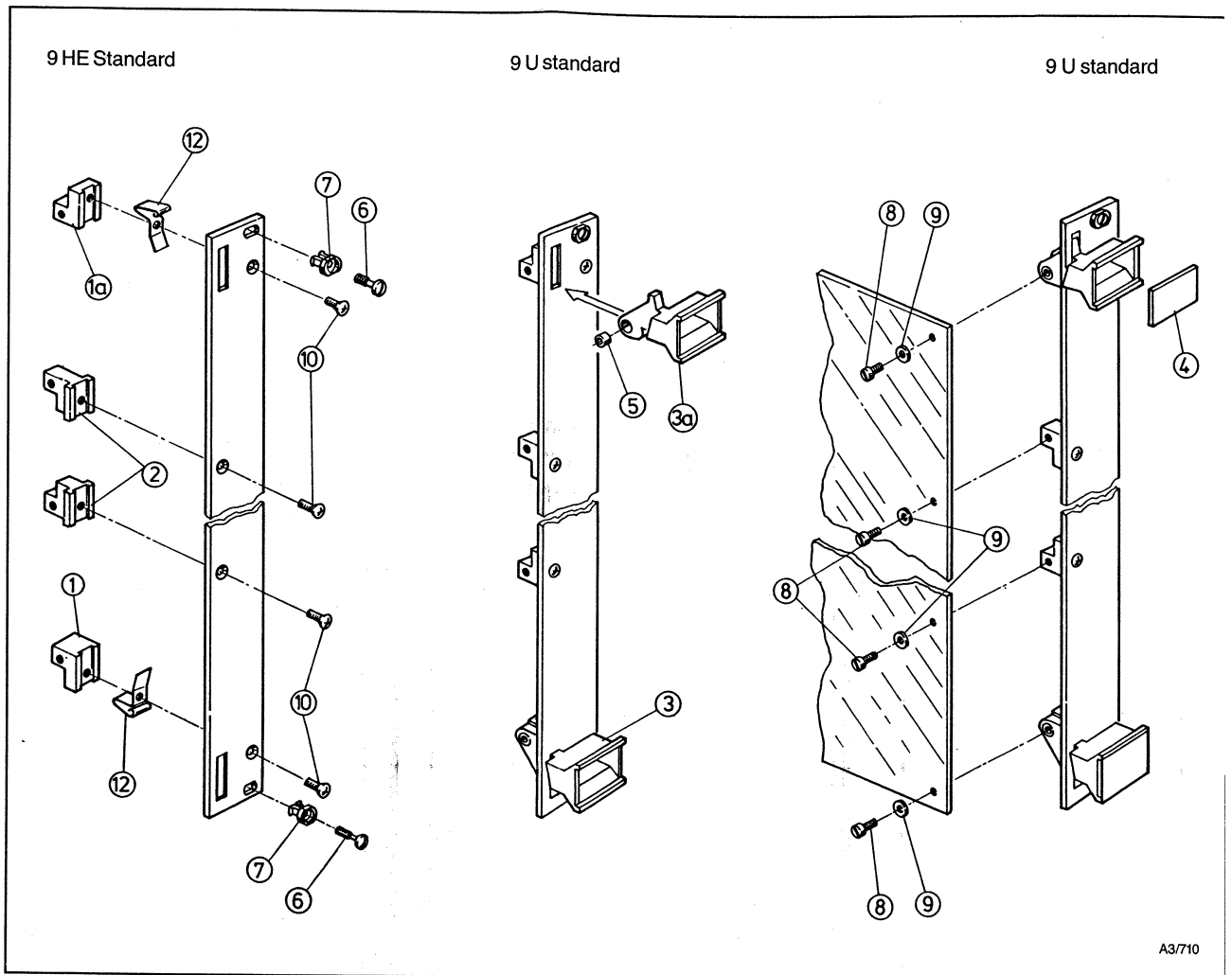
6 U standard



6 U standard

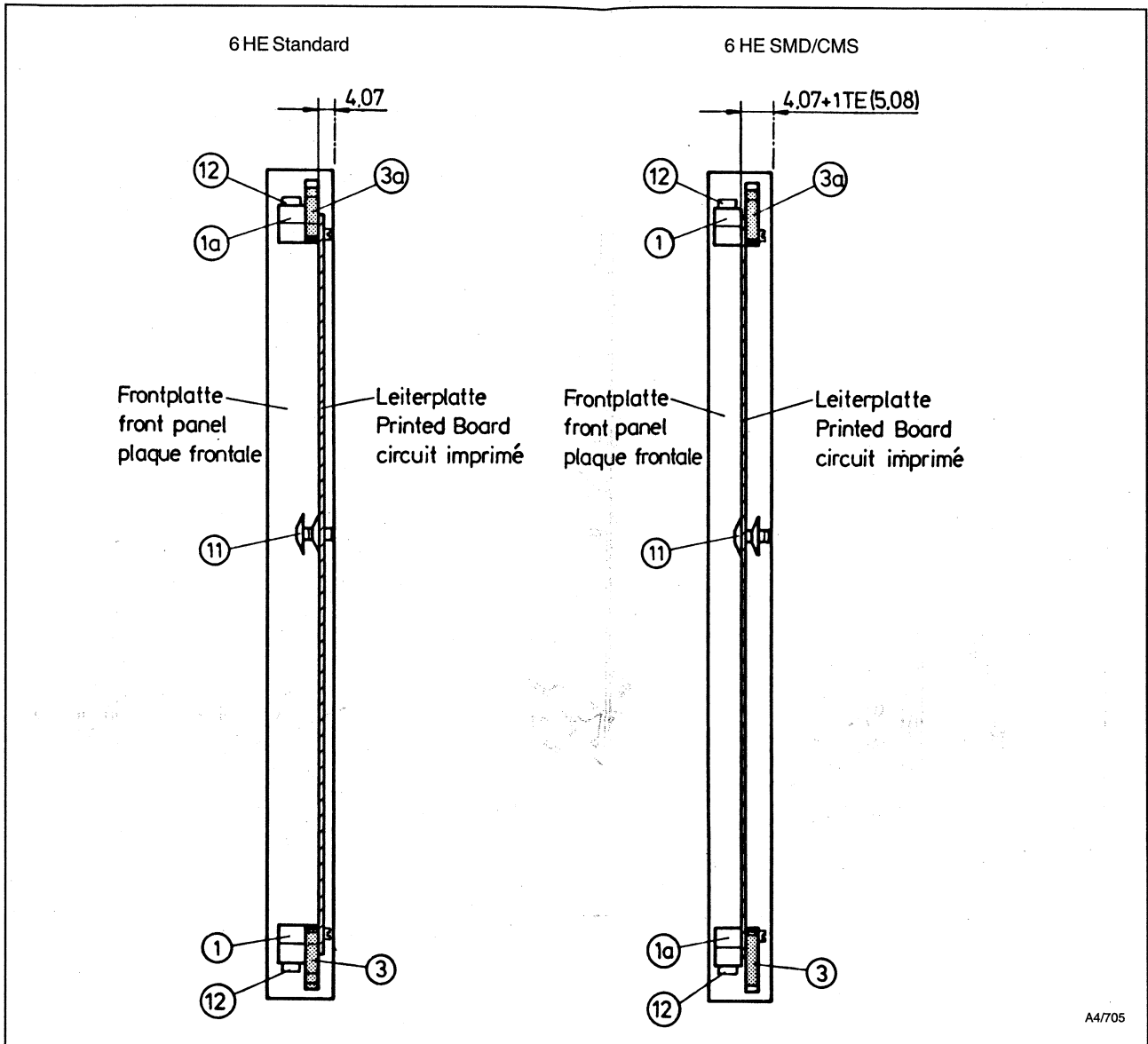


A3/355



A3/710

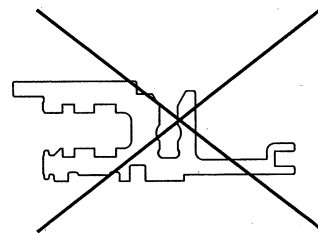
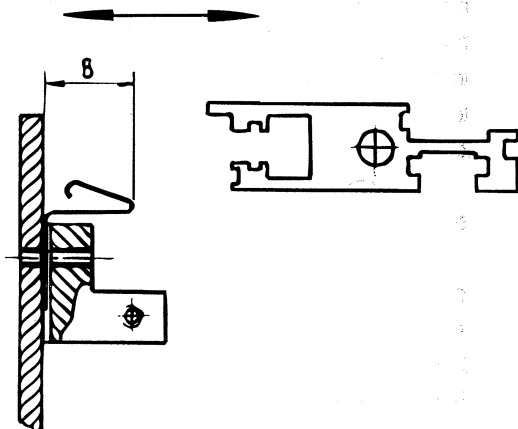
- | | | |
|---|--|---|
| ① Leiterplattenhalter, unten
(bei SMD oben) | ① Board holder, bottom
(top for SMD) | ① équerre de carte inférieure
(avec CMS en haut) |
| ①a Leiterplattenhalter, oben
(bei SMD unten) | ①a Board holder, top
(bottom for SMD) | ①a équerre de carte supérieure
(avec CMS en bas) |
| ② Leiterplattenhalter | ② Board holder, top 3 U | ② équerre de carte |
| ③ Aushebegriff unten | ③ Extractor handle, bottom | ③ poignée extractrice inférieure |
| ③a Aushebegriff oben | ③a Extractor handle, top | ③a poignée extractrice supérieure |
| ④ Beschriftungsblende | ④ Identification plate | ④ plaque d'identification |
| ⑤ Buchse | ⑤ Bush | ⑤ douille |
| ⑥ Halsschraube M 2,5 × 11 | ⑥ Collar screw M 2,5 × 11 | ⑥ vis à gorge M 2,5 × 11 |
| ⑦ Nippel | ⑦ Sleeve | ⑦ oeillet |
| ⑧ Zylinderkopfschraube M 2,5 × 8 | ⑧ Cheese head screw M 2,5 × 8 | ⑧ vis à tête cylindrique M 2,5 × 8 |
| ⑨ Scheibe | ⑨ Washer | ⑨ rondelle |
| ⑩ Linsensenkschraube M 2,5 × 8 | ⑩ Raised c/sk screw M 2,5 × 8 | ⑩ vis à tête fraisée M 2,5 × 8 |
| ⑪ Leiterplattenhalter mitte | ⑪ Board holder middle | ⑪ support central de circuit imprimé |
| ⑫ Kontaktfeder | ⑫ Contact springs | ⑫ ressort de contact |



9 HE SMD/CMS auf Kundenanfrage möglich

9 U on request

9 U CMS possible sur demande du client



europac PRO