

MICRO SWITCH

FREEPORT ILLINOIS, U.S.A
A DIVISION OF HONEYWELL
FED. MFG. CODE 91929

SWITCH-BASIC

CATALOG LISTING
BA-2RV-A4

ABN7506

BA-2RV-A4

PAGE 1 OF 1

REPLACES

RELEASE NO. PR-6975

M

DRAWING NUMBER

6

ISSUE

REVISIONS

A	CO 51554	TSK 19 JULY 82
B	CO 73287-6	JAL 20 OCT 93
C	CO 77588	KDR 29 MAR 94
D	CO93346	DLT 26 AUG 98
E	0018387	TSG 18 JAN 06

CHECK

18 JAN 06

RJ

CHECK

14 FEB 78

14 FEB 78

14 FEB 78

14 FEB 78

14 FEB 78

14 FEB 78

14 FEB 78

14 FEB 78

14 FEB 78

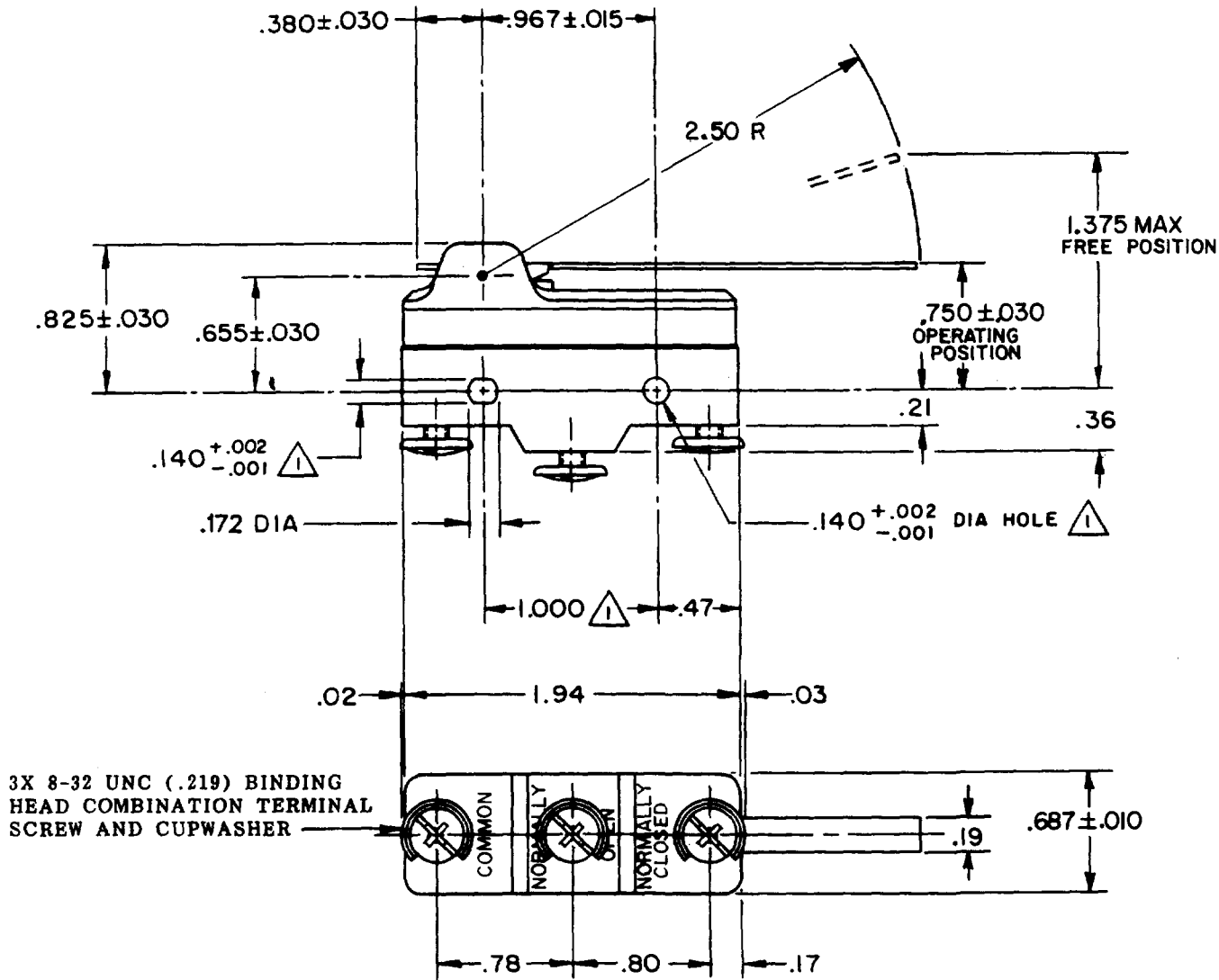
14 FEB 78

14 FEB 78

14 FEB 78

14 FEB 78

14 FEB 78



3X 8-32 UNC (.219) BINDING HEAD COMBINATION TERMINAL SCREW AND CUPWASHER

NOTE
MOUNTING HOLES WILL ACCEPT PINS OR SCREWS OF .139 MAX DIA ON 1.000 CENTERS

THIS DRAWING COVERS A PROPRIETARY ITEM AND IS THE PROPERTY OF MICRO SWITCH, A DIVISION OF HONEYWELL. THIS DRAWING IS NOT TO BE COPIED OR USED WITHOUT THE APPROVAL OF MICRO SWITCH.

THIRD ANGLE PROJECTION

CHARACTERISTICS	
OPERATING FORCE	--- 2 1/2 OZ MAX
RELEASE FORCE	----- 1/2 OZ MIN
PRETRAVEL	----- .625 MAX
DIFFERENTIAL TRAVEL	----- .109 MAX
OVERTRAVEL	----- .078 MIN

ELECTRICAL DATA	
CONTACT ARRANGEMENT S P D T	
CODE L23	
20A-125, 250 OR 480 VAC; 10A-125 VAC "L"	
1HP-125 VAC; 2HP-250 VAC	
1/2A-125 VDC; 1/4A-250 VDC	
L288	
L308	
L315	
20(3)A 250V ~ T85 5E4	

SCALE FULL			
DO NOT SCALE PRINT			
TOLERANCES			
APPLY TO DESIGN UNITS. CONVERSIONS ARE ONLY FOR REFERENCE. UNLESS NOTED TOLERANCES ARE X			
DIM.	TOL.	DIM.	TOL.
mm	mm/in	in	mm/in
NO PLACES	X	1/04	X X
ONE PLACE	X,X	0.4/016	X X X
TWO PLACES	X,XX	0.157/006	X X X X
THREE PLACES	X,XXX		X X X X X
ANGLES			
DESIGN UNITS		WEIGHT	
SI METRIC <input type="checkbox"/>		US CUSTOMARY <input checked="" type="checkbox"/>	

FORMTEK
FO-52848-A
DRAWN

S L B 13 FEB 78