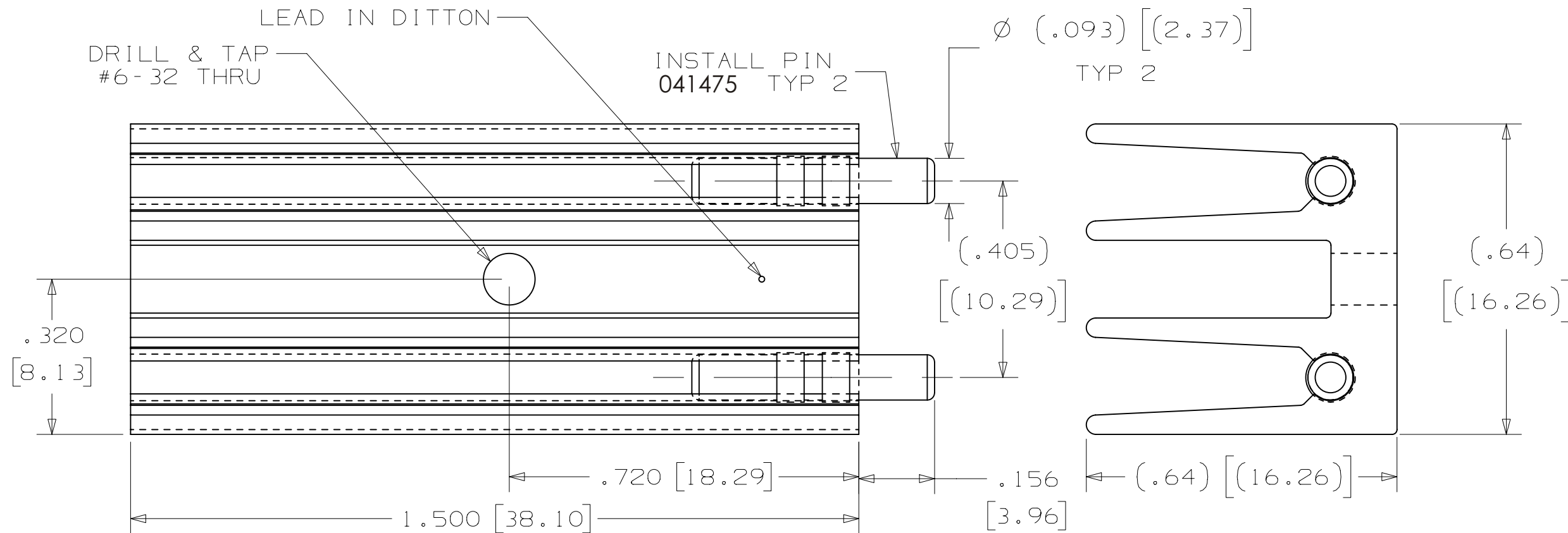
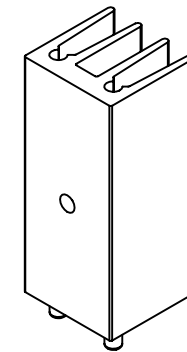


THIS DRAWING AND THE SPECIFICATIONS CONTAINED HEREIN ARE CONFIDENTIAL AND PROPRIETARY. THEY ARE THE PROPERTY OF AVID THERMAL TECHNOLOGIES INC. AND SHALL NOT BE REPRODUCED OR COPIED OR USED IN WHOLE OR IN PART AS THE BASIS FOR THE MANUFACTURE OR SALE OF ITEMS WITHOUT WRITTEN PERMISSION. THIS IS AN UNPUBLISHED WORK PROTECTED UNDER THE FEDERAL COPYRIGHT LAWS, 1995



ROHS COMPLIANT
PER AVID SPEC: ROHS - 9000

041800	STD,581102U02500G	WASH
041799	STD,581102B02500G	BLACK ANODIZE
Vis #	DESCRIPTION	FINISH

FINISH	SEE TABLE
U/O	
MAT'L	62470(004236)
TOLERANCE UNLESS NOTED	
.XX	= ±.015 [±.38]
.XXX	= ±.010 [±.25]
ANGULAR	± 3°

A	05/23/05	RELEASE PER ECN# 002159	SPS
REV.	DATE	DESCRIPTION	CHK'D
		AVID THERMALLOY 80 COMMERCIAL ST. CONCORD, N.H. 03301	
		DRAWING NO. 041799	
STANDARD DESCRIPTION STD,581102B02500G			
DATE	DRAWN	ENGR.	APP'D
05/23/05	SPS	SPS	SPS
			SCALE 4 TO 1
			SHEET