

SEALED PUSHBUTTON SWITCHES

ATTRACTIVE AND RUGGED FOR WET AND DUSTY ENVIRONMENTS

Rugged pushbutton switches with new contoured dome styling. There are two design versions: flush dome and raised dome button profile. They also offer excellent mechanical and electrical performance while operating under severe conditions found in demanding applications.

The OTTO P3-D Dome series features dusttight and moisture-proof or watertight sealed construction. Add "W" to your part number for watertight seal. Expect a minimum of 100,000 operations at rated load of 10 amperes resistive or 5 amperes inductive; up to a million operations in low signal switching applications.

The OTTO P3-D Dome series is available in standard and low operating force double-break snap-action models. All are momentary action. Special contact variations are available. High contact pressure and unique contact design provide low contact resistance for low level switching capability as well as full rated service.

The OTTO P3-D Dome series is a quality precision snap-action switch designed for use in panels, control sticks, computers, instruments, heavy equipment and other demanding applications where attractive, rugged pushbutton switches are required.

Quality Features:

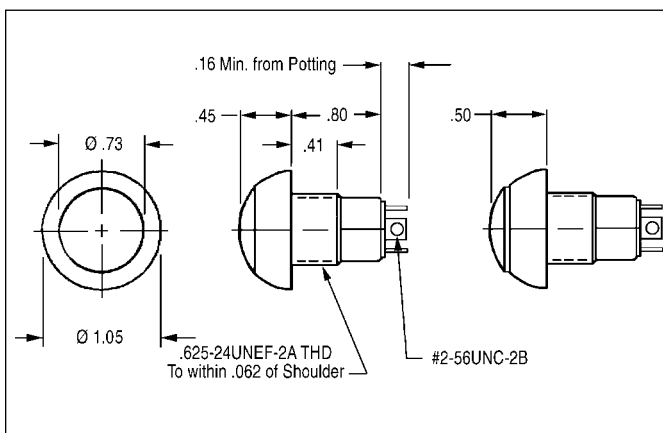
- Attractive Dome style button
- Two contoured button styles
- Double-break momentary action
- Withstands extreme shock and vibration
- Positive tactile feedback
- Solder and Screw terminal styles
- Moistureproof and dusttight to IP64 & MIL-PRF-8805 Design 2
- Watertight: IP68 available

9 Vibrant Colors



Standard Characteristics/Ratings:

OPERATIONAL:		
Mechanical Life:	1,000,000 cycles, minimum on circuits 1, 2 and 6	
Seal:	Moistureproof and dusttight (IP64) & MIL-PRF-8805 Design 2, or watertight (IP68).	
Operating Force:	.4 ± 1 lbs. or 2.5 +0.5, -1 lbs.	
Release Force:	0.75 lbs. minimum (1 lbs. for 4 lbs. Operating Force.)	
Temperature Range:	-55°C to +85°C	
MATERIALS:		
Case:	Anodized aluminum	
Button:	Thermoplastic	
Mounting Hardware:	5/8-24 Hexnut & internal tooth Lockwasher	
Contacts:	Silver alloy	
ELECTRICAL: (at 28 VDC or 115 VAC, 60/400 Hz.)		
LOAD	AMPERES	LIFE (Min.)
Resistive	10	100,000 cycles
Resistive	15	25,000 cycles
Inductive	5	100,000 cycles
Lamp	3	100,000 cycles
Center Terminal	3 max.	100,000 cycles
Dielectric Withstand: 1050Vrms		



P3-D PART NUMBER CODE

P 3 - D X X X X X X *					
Button Style	Terminal Style/Rating	Circuit Form	Operating Force/Action	Bezel Color	Button Color
1. Flush Dome	0. Special	1. N.O.	1. 2.5 lb./Momentary	1. Clear	1. Red
2. Raised Dome	1. Solder/Standard	2. N.C.	2. 4 lb./Momentary	2. Black	2. Black
	2. Screw/Standard	3. N.C. 3-Term			3. Orange
	3. Solder/Low Level	4. N.O. 3-Term			4. Yellow
	4. Screw/Low Level	5. 5-Terminal			5. Green
		6. Two Circuit			6. Blue
					7. Purple
					8. Gray
					9. White

* Add "W" suffix for watertight.

Example of building an OTTO part number: P3-D113124 is a switch with flush dome button, Solder terminals, standard rating; N.C. 3-Terminal circuit; 2.5 lb. operating force, momentary action; black bezel; yellow color button.