

1

2

3

4

5

6

7

8

REV.	ZONE	LTR	DESCRIPTION	DATE	REVISOR	APPD
------	------	-----	-------------	------	---------	------

ORDERING INFORMATION:

6SA L 07 MP - * * 8 B - 2
 (1) (2) (3) (4) (5) (6) (7) (8) (9)

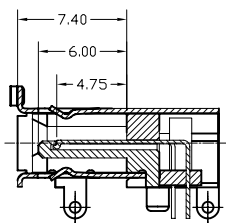
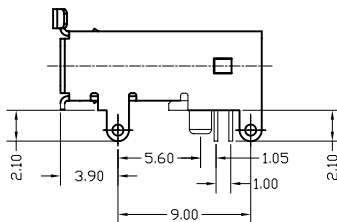
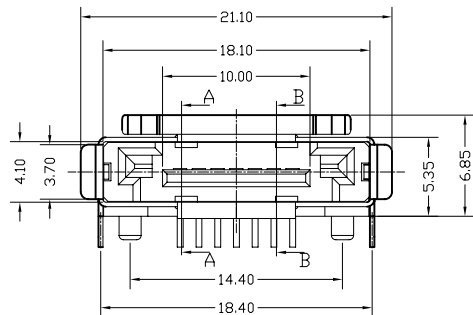
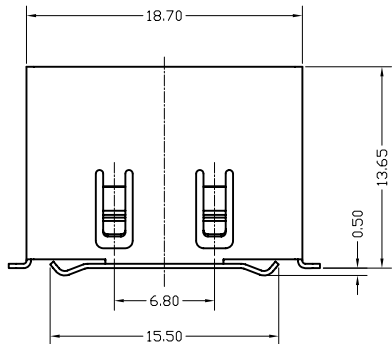
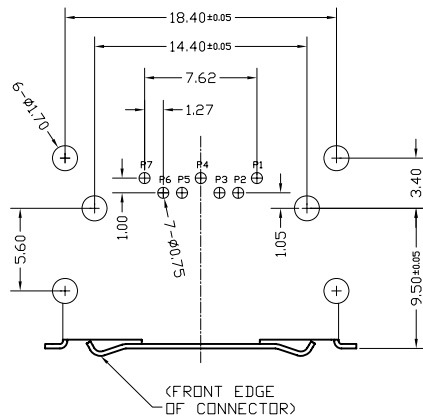
- (1) SERIES NUMBER:
6SA : SERIAL ATA CONNECTOR
- (2) TAIL CONSTRUCTION TYPE
L : R/A DIP TYPE
- (3) NO. OF POSITION:
07 :7POSITIONS
- (4) CONTACT &CONNECTING TYPES:
MP : PLUG ,METAL SHELL TYPE
- (5) COLOR CODES:
3 :BLACK
N :DARK RED
- (6) PLATING OF CONTACT :
0 : GOLD FLASH OVER NICKEL
2 : 15u"GOLD OVER NICKEL
3 : 30u"GOLD OVER NICKEL
- (7) TAIL LENGTH :
8 : SOLDER TAIL=2.1mm
- (8) SUFFIX NO1 :
B : WITHOUT LOGO
- (9) SUFFIX NO2 :
2 : WITHOUT BOTTOM SPRING

NOTE:

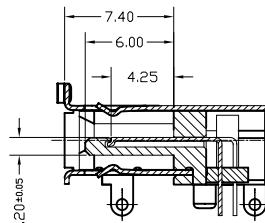
- 1.MATERIAL:
HOUSING:HIGH TEMPERATURE THERMOPLASTIC,UL94V-0
CONTACT:BRASS,GOLD PLATING OVER NICKEL ON CONTACT AREA,TIN PLATING ON SOLDER AREA
SHELL:BRASS,NICKEL PLATED
- 2.MECHANICAL:
INSERTION FORCE: 4.5Kgf Max.
WITHDRAWAL FORCE: 1Kgf Min.
DURABILITY: 2500 CYCLES
- 3.ELECTRICAL SPECIFICATION:
OPERATION VOLTAGE: 100V AC Max.
CURRENT RATING: 1.5A PER CONTACT
CONTACT RESISTANCE: 45m ohm Max.
AFTER PHYSICAL AND ENVIRONMENTAL TESTING.
INSULATION RESISTANCE: 1000M OHM Min.
DIELECTRIC WITHSTANDING VOLTAGE: 500V AC
- 4.ENVIRONMENTAL:
OPERATION TEMPERATURE: -25°C~+85°C

RoHS Compliant

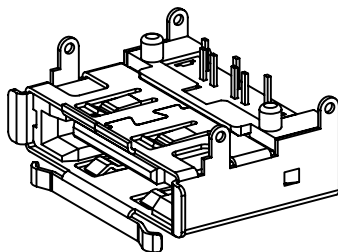
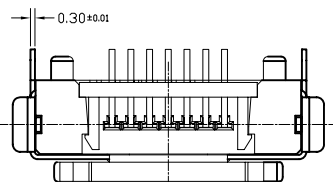
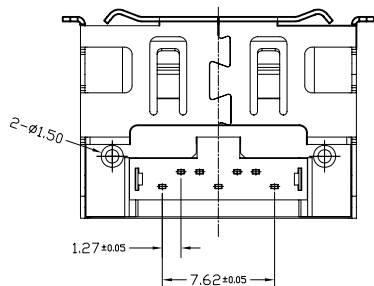
RECOMMENDED PC BOARD LAYOUT



SECTION A-A



SECTION B-B



MATERIAL		TOLERANCE UNSPECIFIED		PART NO.	
XXXXXXXXXX		.0 0 0	± 0.20		
		.0 0	± 0.25		
FINISH		.0	± 0.38	SCALE	
		.	±	1:1	
XXXXXXXXXX		ANGLE	± 2°	UNIT	
		Draw		MM	
Designer		Wujian 4/18 06'		NAME	
Checked		Peterhu		SATA II 7PIN	
Approved		John		PLUG RIGHT ANGLE DIP TYPE (METAL SHELL TYPE)	
Drawing No.				R-S16SA-40	
				SHEET	
				1/1	
				REV.	
				1.0	

1

2

3

4

5

6

7

A4 RS16SA401