

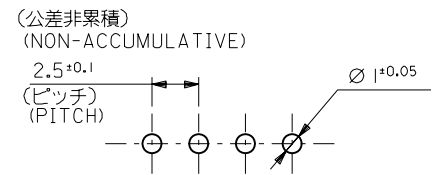
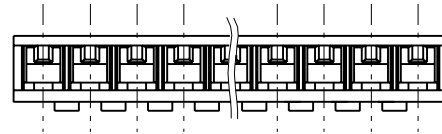
DWG. NO.
SD-51035-**-00

E

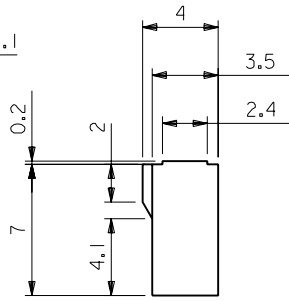
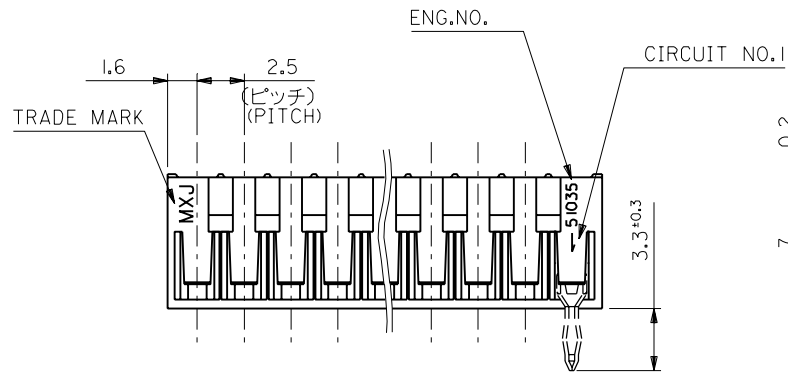
D

DIMENSIONS IN METRIC DO NOT SCALE DRAWING

A

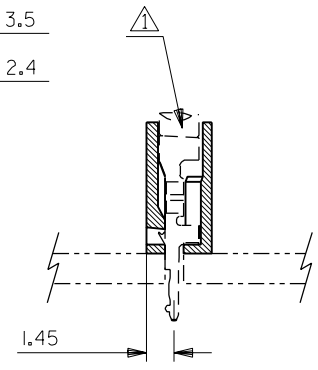


基板取付穴推奨寸法 (基板厚: 1.6mm)
RECOMMENDED PC BOARD HOLE DIMENSION
(THICKNESS: 1.6mm)

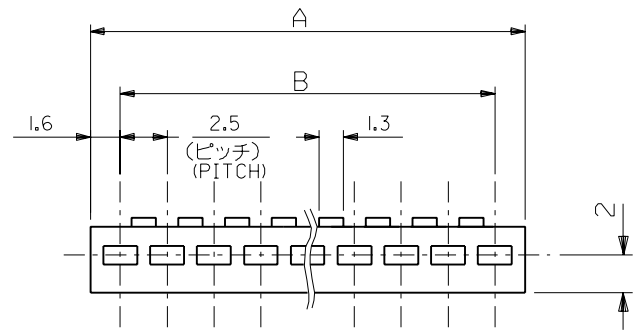


注記
NOTE

△適合ターミナル: 50097-8*00
APPLICABLE TERMINAL: 50097-8*00



42.5	45.7	51035 - 1800	18
40.0	43.2	▲ - 1700	17
37.5	40.7	- 1600	16
35.0	38.2	- 1500	15
32.5	35.7	- 1400	14
30.0	33.2	- 1300	13
27.5	30.7	- 1200	12
25.0	28.2	- 1100	11
22.5	25.7	- 1000	10
20.0	23.2	- 0900	9
17.5	20.7	- 0800	8
15.0	18.2	- 0700	7
12.5	15.7	- 0600	6
10.0	13.2	- 0500	5
7.5	10.7	- 0400	4
5.0	8.2	▼ - 0300	3
2.5	5.7	51035 - 0200	2
B	A	ENG.NO.	極数 CKT.



ANGLE	±3°
30 OVER	+0.3
10 OVER 30 UNDER	+0.25
10 UNDER	+0.2
GENERAL TOLERANCES	LTR
REVISION RECORD	DR. / CHK. / DATE
E	REDRAWN
K.S.	M.S.
96/06/30	96/06/30

材料 MATERIAL	NYLON66,UL94V-0
仕上げ FINISH	//
適用電線範囲 WIRE RANGE	AWG#24~20,KV0.2~0.5
被覆外径 INS. RANGE	AVS0.3~0.5
φ1.3~2.1	
DRAWN BY	96/06/30
CHK'D BY	96/06/30
K.SANO	M.SAKANO
APP'D BY	96/06/30
M.ENOMOTO	尺度
4:1	

molex MOLEX-JAPAN CO.,LTD. 日本モレックス株式会社	
REVISE ONLY ON CAD SYSTEM	
TITLE 名称 2.5 BOARD IN CONN. HOUSING	
DWG. NO. SD-51035-**-00	REV E

8

7

6

5

4

3

2

1

0235.520