

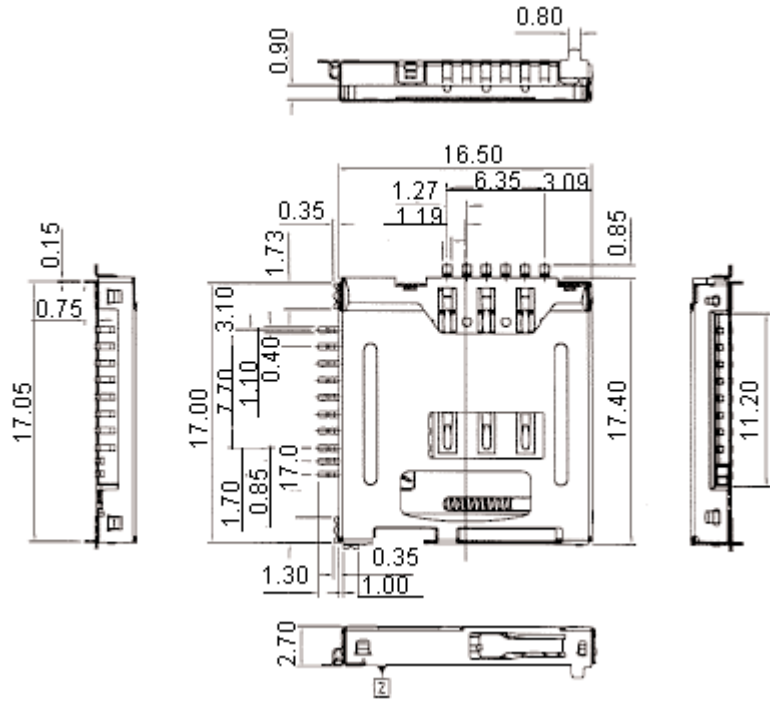


PART NO.

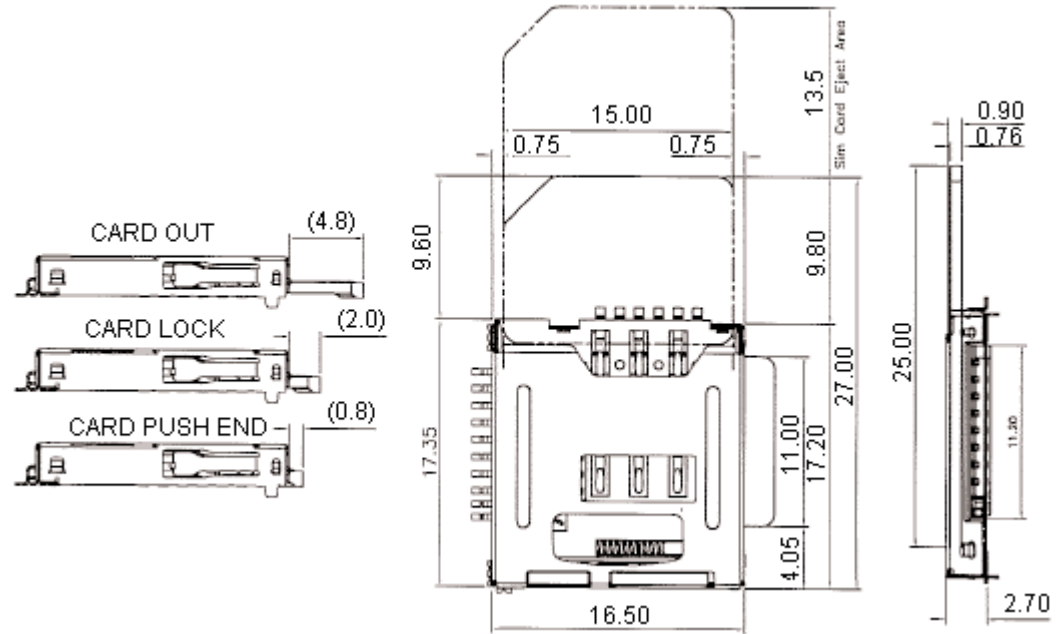
AIO2X-21605BT00

REVISIONS

ECN #	REV	DESCRIPTION	DRAWN	DATE	CHECKD	DATE	APPRVD	DATE
-	A	RELEASED	Malli	20/03/10	Jagan	20/03/10	Farnell	05/04/10



Dimensions: Millimetres



Dimensions: Millimetres

This data sheet and its contents (the "Information") belong to the Premier Farnell Group (the "Group") or are licensed to it. No licence is granted for the use of it other than for information purposes in connection with the products to which it relates. No licence of any intellectual property rights is granted. The Information is subject to change without notice and replaces all data sheets previously supplied. The Information supplied is believed to be accurate but the Group assumes no responsibility for its accuracy or completeness, any error in or omission from it or for any use made of it. Users of this data sheet should check for themselves the Information and the suitability of the products for their purpose and not make any assumptions based on information included or omitted. Liability for loss or damage resulting from any reliance on the Information or use of it (including liability resulting from negligence or where the Group was aware of the possibility of such loss or damage arising) is excluded. This will not operate to limit or restrict the Group's liability for death or personal injury resulting from its negligence. SPC MULTICOMP is the registered trademark of the Group. © Premier Farnell plc 2009.

**TOLERANCES:**  
**UNLESS OTHERWISE SPECIFIED, DIMENSIONS ARE FOR REFERENCE PURPOSES ONLY.**

<b>DRAWN BY:</b>	<b>DATE:</b>
Malli	20/03/10
<b>CHECKED BY:</b>	<b>DATE:</b>
Jagan	20/03/10
<b>APPROVED BY:</b>	<b>DATE:</b>
Farnell	05/04/10

**DRAWING TITLE:**

**MicroSD**

<b>SIZE</b> <b>A</b>	<b>DWG NO.</b> <b>M10002525</b>	<b>ELECTRONIC FILE</b> AIO2X-216XXBT00	<b>REV</b> <b>A</b>
<b>SCALE: NTS</b>		<b>U.O.M.: mm</b>	<b>SHEET: 1 OF 4</b>

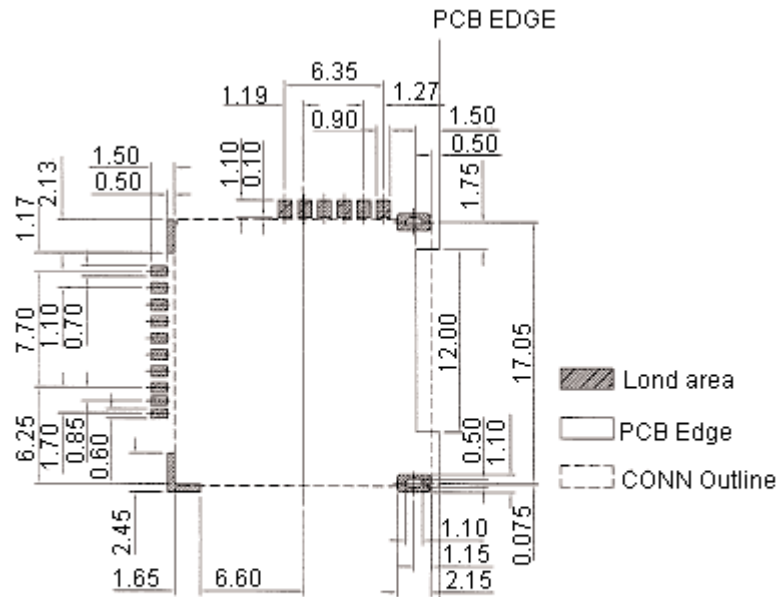


PART NO.

AIO2X-21605BT00

REVISIONS

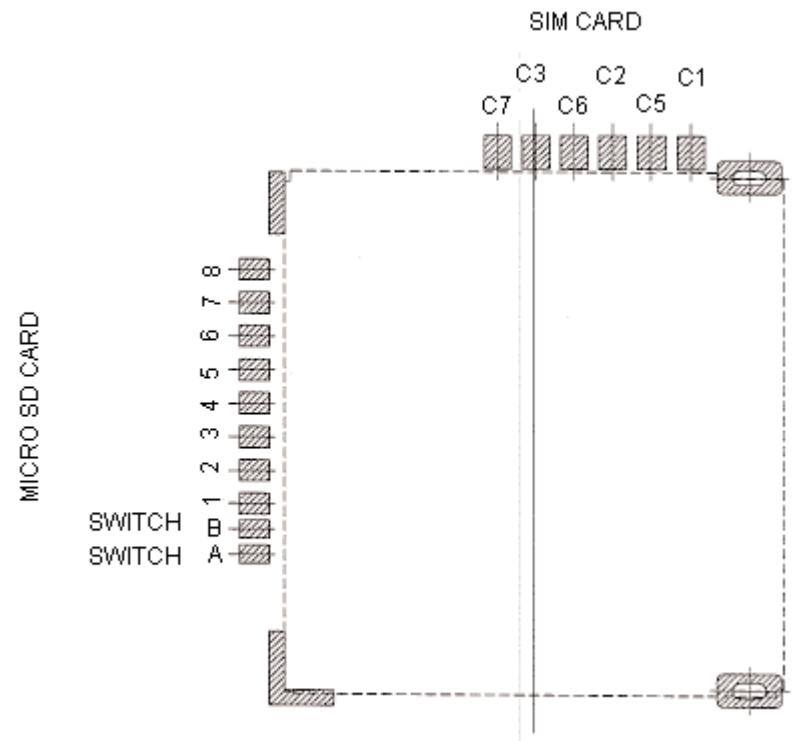
ECN #	REV	DESCRIPTION	DRAWN	DATE	CHECKD	DATE	APPRVD	DATE
-	A	RELEASED	Malli	20/03/10	Jagan	20/03/10	Farnell	05/04/10



Recommended PCB Pattern Layout

General Tolerance: ±0.05

Dimensions: Millimetres



Dimensions: Millimetres

This data sheet and its contents (the "Information") belong to the Premier Farnell Group (the "Group") or are licensed to it. No licence is granted for the use of it other than for information purposes in connection with the products to which it relates. No licence of any intellectual property rights is granted. The Information is subject to change without notice and replaces all data sheets previously supplied. The Information supplied is believed to be accurate but the Group assumes no responsibility for its accuracy or completeness, any error in or omission from it or for any use made of it. Users of this data sheet should check for themselves the Information and the suitability of the products for their purpose and not make any assumptions based on information included or omitted. Liability for loss or damage resulting from any reliance on the Information or use of it (including liability resulting from negligence or where the Group was aware of the possibility of such loss or damage arising) is excluded. This will not operate to limit or restrict the Group's liability for death or personal injury resulting from its negligence. SPC MULTICOMP is the registered trademark of the Group. © Premier Farnell plc 2009.

TOLERANCES:

UNLESS OTHERWISE SPECIFIED, DIMENSIONS ARE FOR REFERENCE PURPOSES ONLY.

DRAWN BY:	DATE:
Malli	20/03/10
CHECKED BY:	DATE:
Jagan	20/03/10
APPROVED BY:	DATE:
Farnell	05/04/10

DRAWING TITLE:

MicroSD

SIZE	DWG NO.	ELECTRONIC FILE	REV
A	M10002525	AIO2X-216XXBT00	A
SCALE: NTS	U.O.M.: mm	SHEET: 2 OF 4	



PART NO.

AIO2X-21605BT00

REVISIONS

ECN #	REV	DESCRIPTION	DRAWN	DATE	CHECKD	DATE	APPRVD	DATE
-	A	RELEASED	Malli	20/03/10	Jagan	20/03/10	Farnell	05/04/10

Specifications:

**Finishes** : 2-1. Contact switch and detect : Nickel underplated gold plating on contact, tin plating on solder tail.  
 : 2-2. Top shell : 3µ inches minimum gold flash over nickel underplated on solder pad.

**Coplanarity of soldertails** : 0.10 maximum misalignment of solder tail from "Z".  
 : Upper direction 0.05 maximum, lower direction 0.05 maximum.

**Mechanical specification** : Repeated 10000 times mating and unmating cycles and still meet electrical characteristics

**Electrical specification** : Rate current (per contact) : 0.5Amps maximum and temperature rise should be 30°C maximum.  
 : Insulation resistance (LR) : 1000MΩ minimum.  
 : Dielectric with standing voltage : 500VAC.  
 : Contact resistance : 100 milliohms maximum.

Item	Part Name	Material	Colour	Finish	Remarks
1	Housing	PA9T & LCP	Black	-	UL94V-0
2	Slider	Thermal Plastic		-	
3	TF Contact	PP/ Bronze	-	Au Plated	-
4	SIM Contact		-		-
5	Top Shell		-		-
6	Bottom Shell	SUS	-	-	-
7	Lock Spring		-	-	-
8	Coil Spring	SWPB	-	Ni Plated	-
9	Crank-axle	SUS	-	-	-
10	Short Pin	PP/ Bronze	-	Au Plated	-
11	Switch A		-		-
12	Switch B		-		-

This data sheet and its contents (the "Information") belong to the Premier Farnell Group (the "Group") or are licensed to it. No licence is granted for the use of it other than for information purposes in connection with the products to which it relates. No licence of any intellectual property rights is granted. The Information is subject to change without notice and replaces all data sheets previously supplied. The Information supplied is believed to be accurate but the Group assumes no responsibility for its accuracy or completeness, any error in or omission from it or for any use made of it. Users of this data sheet should check for themselves the Information and the suitability of the products for their purpose and not make any assumptions based on information included or omitted. Liability for loss or damage resulting from any reliance on the Information or use of it (including liability resulting from negligence or where the Group was aware of the possibility of such loss or damage arising) is excluded. This will not operate to limit or restrict the Group's liability for death or personal injury resulting from its negligence. SPC MULTICOMP is the registered trademark of the Group. © Premier Farnell plc 2009.

**TOLERANCES:**  
  
**UNLESS OTHERWISE SPECIFIED, DIMENSIONS ARE FOR REFERENCE PURPOSES ONLY.**

<b>DRAWN BY:</b>	<b>DATE:</b>
Malli	20/03/10
<b>CHECKED BY:</b>	<b>DATE:</b>
Jagan	20/03/10
<b>APPROVED BY:</b>	<b>DATE:</b>
Farnell	05/04/10

<b>DRAWING TITLE:</b>			
<b>MicroSD</b>			
<b>SIZE</b>	<b>DWG NO.</b>	<b>ELECTRONIC FILE</b>	<b>REV</b>
A	M10002525	AIO2X-216XXBT00	A
<b>SCALE: NTS</b>		<b>U.O.M.: mm</b>	<b>SHEET: 3 OF 4</b>



PART NO.

AIO2X-21605BT00

REVISIONS

ECN #	REV	DESCRIPTION	DRAWN	DATE	CHECKD	DATE	APPRVD	DATE
-	A	RELEASED	Malli	20/03/10	Jagan	20/03/10	Farnell	05/04/10

Micro SD Card

Item	Name	Type	Description
1	DAT2	I/O/PP	Date Line (bit2)
2	CD/DAT3		Cord Detect Date Line (bit3)
3	CMD	PP	Commond Response
4	VDD	S	Supply Voltage
5	CLK	I	Clock
6	VSS	S	Supply Voltage Ground
7	DAT0	I/O/PP	Date Line (bit0)
8	DAT1		Date Line (bit1)

SIM Card

Pin no.	Name
C1	VCC
C2	RST
C3	CLK
C4	Reserved
C5	GND
C6	VPP
C7	I/O
C8	Reserved

Part Number Table

Description	Part Number
MicroSD	AIO2X-21605BT00

<http://www.farnell.com>

<http://www.newark.com>

<http://www.cpc.co.uk>

This data sheet and its contents (the "Information") belong to the Premier Farnell Group (the "Group") or are licensed to it. No licence is granted for the use of it other than for information purposes in connection with the products to which it relates. No licence of any intellectual property rights is granted. The Information is subject to change without notice and replaces all data sheets previously supplied. The Information supplied is believed to be accurate but the Group assumes no responsibility for its accuracy or completeness, any error in or omission from it or for any use made of it. Users of this data sheet should check for themselves the Information and the suitability of the products for their purpose and not make any assumptions based on information included or omitted. Liability for loss or damage resulting from any reliance on the Information or use of it (including liability resulting from negligence or where the Group was aware of the possibility of such loss or damage arising) is excluded. This will not operate to limit or restrict the Group's liability for death or personal injury resulting from its negligence. SPC MULTICOMP is the registered trademark of the Group. © Premier Farnell plc 2009.

**TOLERANCES:  
UNLESS OTHERWISE SPECIFIED, DIMENSIONS ARE FOR REFERENCE PURPOSES ONLY.**

<b>DRAWN BY:</b>	<b>DATE:</b>
Malli	20/03/10
<b>CHECKED BY:</b>	<b>DATE:</b>
Jagan	20/03/10
<b>APPROVED BY:</b>	<b>DATE:</b>
Farnell	05/04/10

DRAWING TITLE:

MicroSD

<b>SIZE</b> A	<b>DWG NO.</b> M10002525	<b>ELECTRONIC FILE</b> AIO2X-216XXBT00	<b>REV</b> A
<b>SCALE: NTS</b>		<b>U.O.M.: mm</b>	<b>SHEET: 4 OF 4</b>