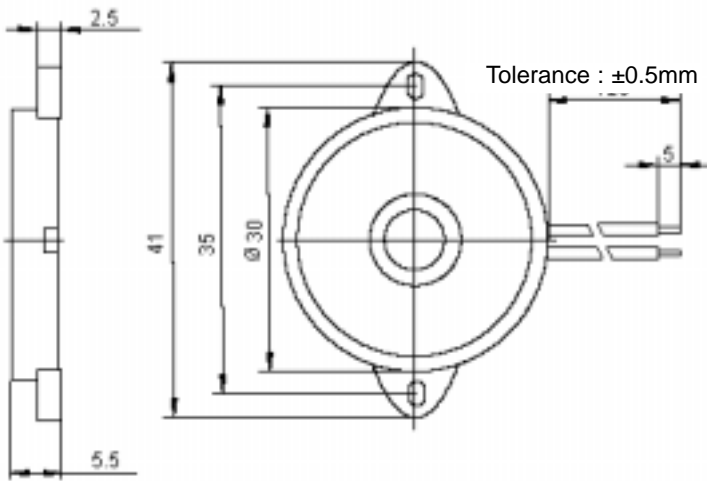


ABT-431-RC Piezo Transducer



Features:

- Colour : Black.
- Housing material : ABS.
- Very low profile.
- Low current consumption.
- All data at 25°C unless otherwise specified.



Dimensions : Millimetres

Specifications	ABT-431-RC
Rated voltage (Vp-p square wave)	9Vp-p
Operating voltage	1 to 30Vp-p
Rated current at rated voltage	≤3mA
Capacitance at 120Hz	20000 ±30%pF
Sound output at 3500Hz at 10cm at rated voltage	≥88dB
Resonant frequency	3500 ±500Hz
Operating temperature	-20 to +60°C
Storage temperature	-30 to +70°C
Lead wire	UL1905 AWG28
Weight	3.5g

Part Number Table

Description	Part Number
Transducer, Piezo	ABT-431-RC



Disclaimer This data sheet and its contents (the "Information") belong to the Premier Farnell Group (the "Group") or are licensed to it. No licence is granted for the use of it other than for information purposes in connection with the products to which it relates. No licence of any intellectual property rights is granted. The Information is subject to change without notice and replaces all data sheets previously supplied. The Information supplied is believed to be accurate but the Group assumes no responsibility for its accuracy or completeness, any error in or omission from it or for any use made of it. Users of this data sheet should check for themselves the Information and the suitability of the products for their purpose and not make any assumptions based on information included or omitted. Liability for loss or damage resulting from any reliance on the Information or use of it (including liability resulting from negligence or where the Group was aware of the possibility of such loss or damage arising) is excluded. This will not operate to limit or restrict the Group's liability for death or personal injury resulting from its negligence. SPC pro-SIGNAL is the registered trademark of the Group. © Premier Farnell plc 2010.

<http://www.farnell.com>
<http://www.newark.com>
<http://www.cpc.co.uk>

