

MOS FET Relays

G3VM-353A/D

Analog-switching MOS FET Relay with SPST-NC (Single-pole, Single-throw, Normally Closed) Contacts

- Switches minute analog signals.
- Switching AC and DC.

Application Examples

- Electronic automatic exchange systems
- Security systems
- Datacom (modem) systems
- FA systems
- Measurement devices

List of Models

Contact form	Terminals	Load voltage (peak value)	Model	Number per stick	Number per tape
SPST-NC	PCB terminals	350 VAC	G3VM-353A	100	---
	Surface-mounting terminals		G3VM-353D		
				G3VM-353D(TR)	

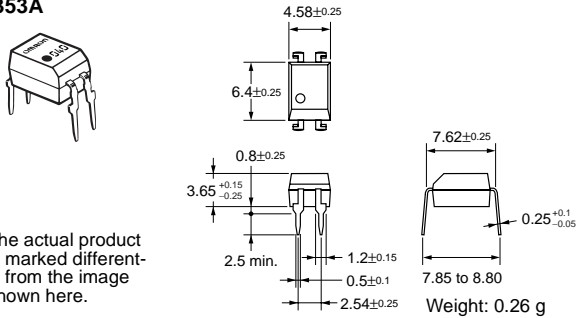


Note: The actual product is marked differently from the image shown here.

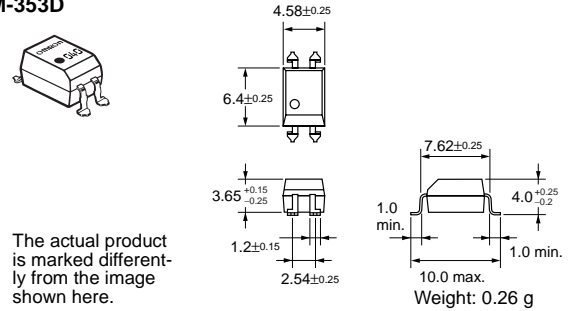
Dimensions

Note: All units are in millimeters unless otherwise indicated.

G3VM-353A

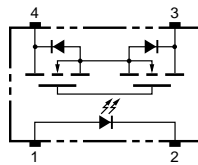


G3VM-353D

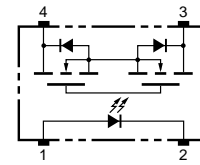


Terminal Arrangement/Internal Connections (Top View)

G3VM-353A

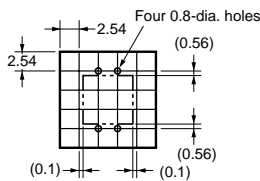


G3VM-353D



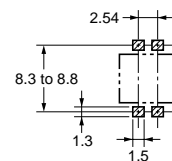
PCB Dimensions (Bottom View)

G3VM-353A



Actual Mounting Pad Dimensions (Recommended Value, Top View)

G3VM-353D



Absolute Maximum Ratings (Ta = 25°C)

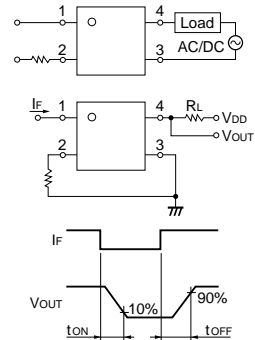
Item		Symbol	Rating	Unit	Measurement Conditions
Input	LED forward current	I_F	50	mA	
	Repetitive peak LED forward current	I_{FP}	1	A	100 μ s pulses, 100 pps
	LED forward current reduction rate	$\Delta I_F/^\circ\text{C}$	-0.5	mA/°C	Ta \geq 25°C
	LED reverse voltage	V_R	5	V	
	Connection temperature	T_j	125	°C	
Output	Output dielectric strength	V_{OFF}	350	V	
	Continuous load current	I_O	150	mA	
	ON current reduction rate	$\Delta I_{ON}/^\circ\text{C}$	-1.5	mA/°C	Ta \geq 25°C
	Connection temperature	T_j	125	°C	
Dielectric strength between input and output (See note 1.)		V_{I-O}	2,500	Vrms	AC for 1 min
Operating temperature		T_a	-40 to +85	°C	With no icing or condensation
Storage temperature		T_{stg}	-55 to +125	°C	With no icing or condensation
Soldering temperature (10 s)		---	260	°C	10 s

Note: 1. The dielectric strength between the input and output was checked by applying voltage between all pins as a group on the LED side and all pins as a group on the light-receiving side.

Electrical Characteristics (Ta = 25°C)

Item		Symbol	Minimum	Typical	Maximum	Unit	Measurement conditions
Input	LED forward voltage	V_F	1.0	1.15	1.3	V	$I_F = 10$ mA
	Reverse current	I_R	---	---	10	μ A	$V_R = 5$ V
	Capacity between terminals	C_T	---	30	---	pF	V = 0, f = 1 MHz
	Trigger LED forward current	I_{FT}	---	1	3	mA	$I_{OFF} = 10$ μ A
Output	Maximum resistance with output ON	R_{ON}	---	15	25	Ω	$I_O = 150$ mA
	Current leakage when the relay is open	I_{LEAK}	---	---	1.0	μ A	$I_F = 5$ mA, $V_{OFF} = 350$ V
Capacity between I/O terminals		C_{I-O}	---	0.8	---	pF	f = 1 MHz, $V_s = 0$ V
Insulation resistance		R_{I-O}	1,000	---	---	M Ω	$V_{I-O} = 500$ VDC, RoH \leq 60%
Turn-ON time		tON	---	0.1	1.0	ms	$I_F = 5$ mA, $R_L = 200$ Ω , $V_{DD} = 20$ V (See note 2.)
Turn-OFF time		tOFF	---	1.0	3.0	ms	

Note: 2. Turn-ON and Turn-OFF Times



Recommended Operating Conditions

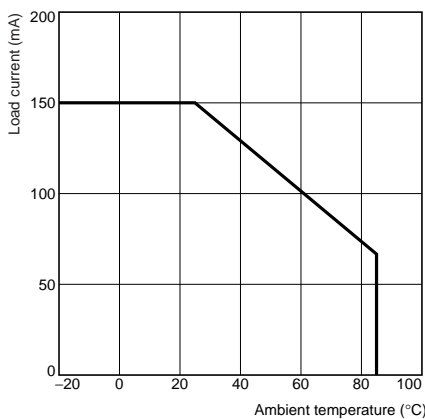
Use the G3VM under the following conditions so that the Relay will operate properly.

Item	Symbol	Minimum	Typical	Maximum	Unit
Output dielectric strength	V_{DD}	---	---	280	V
Operating LED forward current	I_F	5	---	25	mA
Continuous load current	I_O	---	---	150	mA
Operating temperature	T_a	-20	---	65	°C

Engineering Data

Load Current vs. Ambient Temperature

G3VM-353A(D)



Safety Precautions

Refer to page 6 for precautions common to all G3VM models.