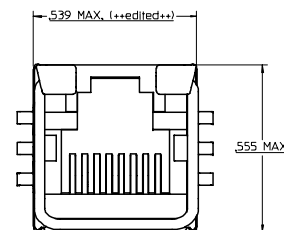
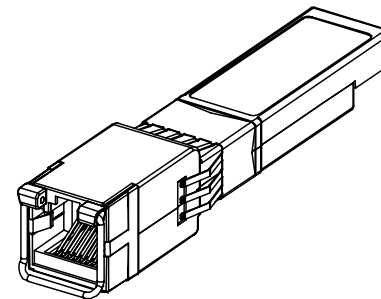
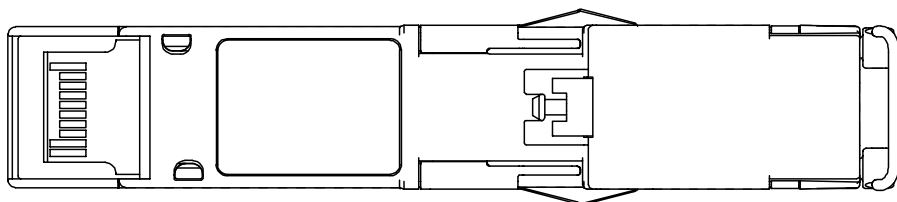
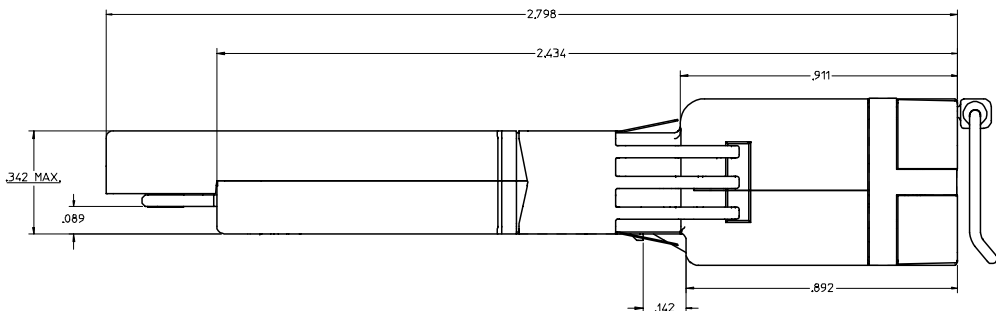
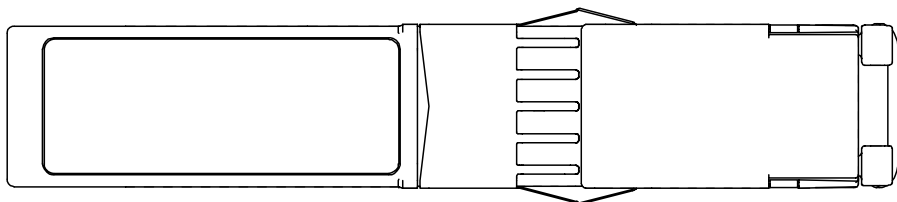


20 | 19 | 18 | 17 | 16 | 15 | 14 | 13 | 12 | 11 | 74741 | 9 | 8 | 7 | 6 | 5 | 4 | 3 | 2 | 1



FEATURES:

1. MEETS IEEE 802.3z, u. ab.
2. MEETS 1000BASE-T STANDARDS.
3. MATES WITH STANDARD SFP MSA SPECIFICATION COMPONENTS.
4. MATES WITH COMMON 1X4 AND OTHER GANGED SFP CAGES.
5. HOT PLUGGABLE.
6. REQUIRES <1 WATT OF POWER.
7. SERIAL ID.
8. SOFTWARE CONFIGURABLE.
9. 100 METER CAT-5 AT <10 BER.
10. CENTERED RJ-45 MOD JACK. CONFORMS TO 1U RACK.
11. .567 INCH SPACE REQUIRED BETWEEN ADJACENT CAGE ON TOP OR BOTTOM.
12. ROBUST ZINC ALLOY DIE CAST BODY, NICKEL PLATED.
13. EMI GROUNDING GIRDLE PROVIDES 13 CONTACT POINTS AROUND CAGE OPENING.
14. BAIL DE-LATCH SYSTEM. USES LIFT AND PULL ACTION TO REMOVE.

| | |
|-----------|--|
| 747410001 | 1000BASE-T SFP RJ-45 CENTERED, LOS GND |
| 747410002 | 1000BASE-T SFP RJ-45 CENTERED, LOS TOGGLE |

| | | | | | | |
|--|--|---|--|--|------------------------|--------------------|
| EC NO: USY2004-0044 DRW: KLLLOYD 2003/10/13 CHKD: 2003/10/13 APPR: KLLLOYD 2003/10/14 REV: A | QUALITY SYMBOLS | GENERAL TOLERANCES (UNLESS SPECIFIED) | SCALE 5:1 | DESIGN UNITS INCH | THIRD ANGLE PROJECTION | REVISE ON CAD ONLY |
| | ▽ .0 ▽ .0 | 4 PLACES ± .005 ± .005 3 PLACES ± .005 ± .005 2 PLACES ± .005 ± .005 1 PLACE ± .005 ± .005 | DIMENSION STYLE INCH ONLY DRAWN BY KLLLOYD DATE 2003/07/29 CHECKED BY BRUSSELL DATE 2003/07/29 APPROVED BY BRUSSELL DATE 2003/07/29 | TITLE 1000 BASE-T SFP ADAPTER SALES DRAWING MOLEX INCORPORATED MATERIAL NO. SEE CHART DOCUMENT NO. SD-74741-001 SHEET NO. 1 OF 1 | | |
| | DRAFT WHERE APPLICABLE MUST REMAIN WITHIN DIMENSIONS | | THIS DRAWING CONTAINS INFORMATION THAT IS PROPRIETARY TO MOLEX INCORPORATED AND SHOULD NOT BE USED WITHOUT WRITTEN PERMISSION | | | |
| | | | | | | |

19 | 18 | 17 | 16 | 15 | 14 | 13 | 12 | 11 | 10 | 9 | 8 | 7 | 6 | 5 | 4 | 3 | 2 | 1