

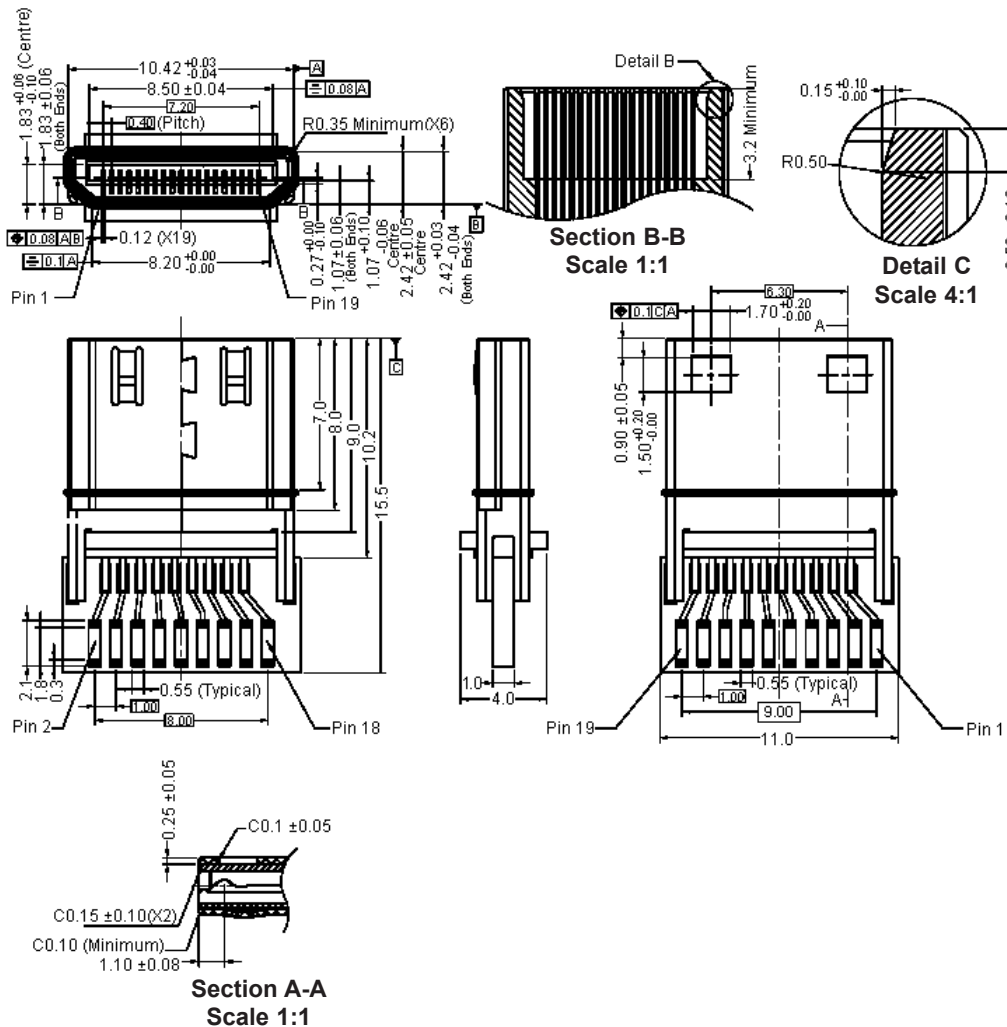


PART NO.

60S019P-301N-B-FEC

REVISIONS

ECN #	REV	DESCRIPTION	DRAWN	DATE	CHECKD	DATE	APPRVD	DATE
-	A	RELEASED	Kiran	09/05/09	Suresh	09/05/09	Farnell	25/05/09



Specifications:

Maximum operating current	: 0.5A.
Operating temperature	: -25°C to +85°C.
Dielectric withstanding voltage	: 500V ac between adjacent terminal (unmated) 300V ac between adjacent terminal (mated).
Minimum insulation resistance	: 100MΩ (unmated) 10MΩ (mated).

Dimensions : Millimetres

This data sheet and its contents (the "Information") belong to the Premier Farnell Group (the "Group") or are licensed to it. No licence is granted for the use of it other than for information purposes in connection with the products to which it relates. No licence of any intellectual property rights is granted. The Information is subject to change without notice and replaces all data sheets previously supplied. The Information supplied is believed to be accurate but the Group assumes no responsibility for its accuracy or completeness, any error in or omission from it or for any use made of it. Users of this data sheet should check for themselves the Information and the suitability of the products for their purpose and not make any assumptions based on information included or omitted. Liability for loss or damage resulting from any reliance on the Information or use of it (including liability resulting from negligence or where the Group was aware of the possibility of such loss or damage arising) is excluded. This will not operate to limit or restrict the Group's liability for death or personal injury resulting from its negligence. SPC MULTICOMP is the registered trademark of the Group. © Premier Farnell plc 2009.

TOLERANCES:

UNLESS OTHERWISE SPECIFIED, DIMENSIONS ARE FOR REFERENCE PURPOSES ONLY.

DRAWN BY:	DATE:
Kiran	09/05/09
CHECKED BY:	DATE:
Suresh	09/05/09
APPROVED BY:	DATE:
Farnell	25/05/09

DRAWING TITLE:

Mini HDMI Plug - Type C

SIZE A	DWG NO. M10002213	ELECTRONIC FILE 1708477-TDS_DWG	REV A
SCALE: NTS		U.O.M.: mm	SHEET: 1 OF 2



PART NO.

60S019P-301N-B-FEC

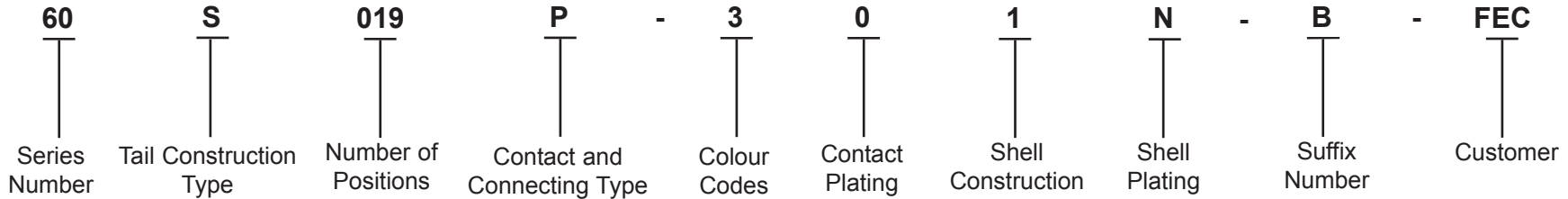
REVISIONS

ECN #	REV	DESCRIPTION	DRAWN	DATE	CHECKD	DATE	APPRVD	DATE
-	A	RELEASED	Kiran	09/05/09	Suresh	09/05/09	Farnell	25/05/09

Part Number Table

Description	Part Number
Plug, Mini HDMI	60S019P-301N-B-FEC

Part Number Explanation:



- Series Number** : 60 = HDMI Connector, Type C.
- Tail Construction Type** : S = Solder Type.
- Number of Positions** : 019 = 19 Positions.
- Contact and Connecting Type** : P = Plug.
- Colour Codes** : 3 = Black.
- Contact Plating** : 0 = Gold Flash Plated in Contact Area.
- Shell Construction** : 1 = With Harpoon Profile for Shell.
- Shell Plating** : N = Solderable Nickel Plated.
- Suffix Number** : B = Without Freeport LOGO.
- Customer** : FEC = Inland.

<http://www.farnell.com>
<http://www.newark.com>
<http://www.cpc.co.uk>

This data sheet and its contents (the "Information") belong to the Premier Farnell Group (the "Group") or are licensed to it. No licence is granted for the use of it other than for information purposes in connection with the products to which it relates. No licence of any intellectual property rights is granted. The Information is subject to change without notice and replaces all data sheets previously supplied. The Information supplied is believed to be accurate but the Group assumes no responsibility for its accuracy or completeness, any error in or omission from it or for any use made of it. Users of this data sheet should check for themselves the Information and the suitability of the products for their purpose and not make any assumptions based on information included or omitted. Liability for loss or damage resulting from any reliance on the Information or use of it (including liability resulting from negligence or where the Group was aware of the possibility of such loss or damage arising) is excluded. This will not operate to limit or restrict the Group's liability for death or personal injury resulting from its negligence. SPC MULTICOMP is the registered trademark of the Group. © Premier Farnell plc 2009.

TOLERANCES: UNLESS OTHERWISE SPECIFIED, DIMENSIONS ARE FOR REFERENCE PURPOSES ONLY.	DRAWN BY:	DATE:	DRAWING TITLE: Mini HDMI Plug - Type C			
	Kiran	09/05/09				
	CHECKED BY:	DATE:	SIZE A	DWG NO. M10002213	ELECTRONIC FILE 1708477-TDS_DWG	REV A
	Suresh	09/05/09				
	APPROVED BY:	DATE:	SCALE: NTS		U.O.M.: mm	
Farnell	25/05/09					