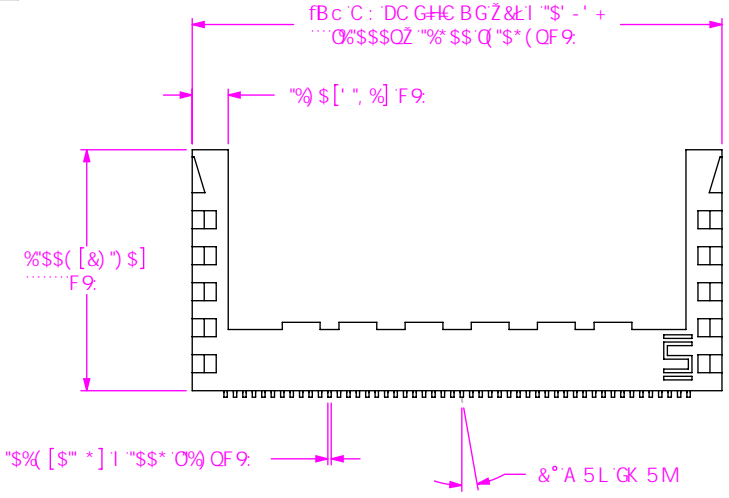


8C 'BCH
G7 5@: FCA
Hk-GDF-BH



CARD	"A"	"B"
-01	.038 [0.97]	.102 [2.59]
-02	.072 [1.83]	.132 [3.35]

A 6% % L L L L L L ! Q L L ! L L ! L !

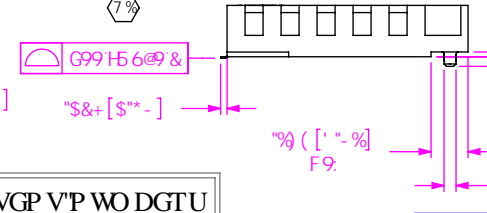
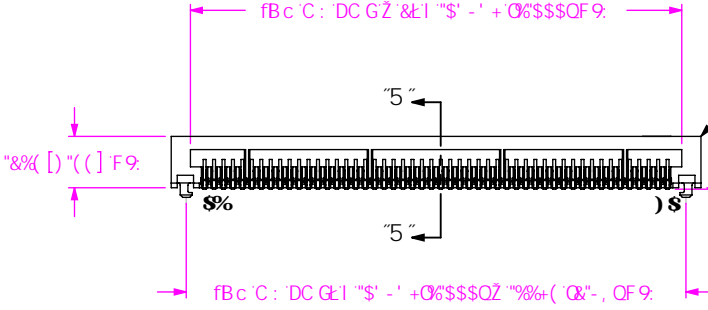
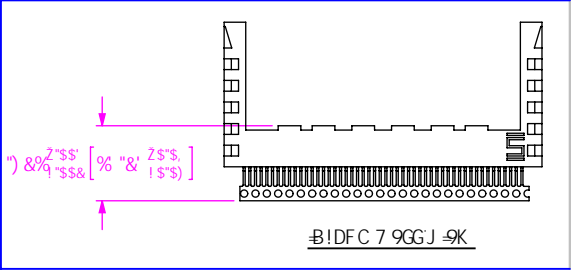
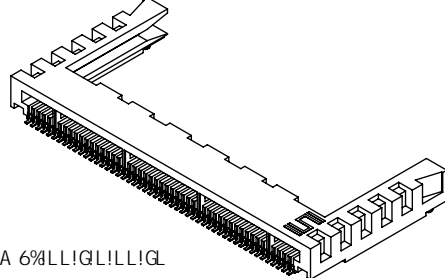
C DHC B
B. fl G9A 6% L L ! Q L ! L L ! B t

G C @ 9 F ' @ 7 ? G
! 5 % : C F " \$ " % 6 C 5 F 8
..... fl G9A 6% L L ! Q L ! 5 % L L
..... @ 9 9 H 5 6 @ " ' O
! G @ : C F " \$ " & 6 C 5 F 8
..... fl G9A 6% L L ! Q L ! G @ L L

7 5 F 8 ' H - ? 7 B 9 G G
! \$ % " \$ ' % H - ? 7 5 F 8
..... fl G9A 6% L L ! Q L ! L L ! L L
! \$ & " \$ * & H - ? 7 5 F 8
..... fl G9A 6% L L ! Q L ! L L ! L
..... @ 9 9 H 5 6 @ % Q

F C K ' G D 9 7 = 7 5 H C B
! G ' G B ; @ F C K

D @ H B : ' G D 9 7 = 7 5 H C B
! G : G 9 @ 7 H J 9 ; C @ B fl G 9 7 ! % % ! \$ & ! G E
! @ G 9 @ 7 H J 9 @ < H ; C @ B fl G 9 7 ! % % ! \$ & ! @
! : G 9 @ 7 H J 9 : @ G < ; C @ B fl G 9 7 ! % % ! \$ & !
! G A : G 9 @ 7 H J 9 : C @ B fl G 9 7 ! % % ! \$ & ! G E K #
..... A 5 H 9 H B H 5 @ G
! @ A : G 9 @ 7 H J 9 @ < H ; C @ B fl G 9 7 ! % % ! \$ & ! @ K #
..... A 5 H 9 H B H 5 @ G
! : A : G 9 @ 7 H J 9 : @ G < ; C @ B fl G 9 7 ! % % ! \$ & ! : G E K #
..... A 5 H 9 H B H 5 @ G



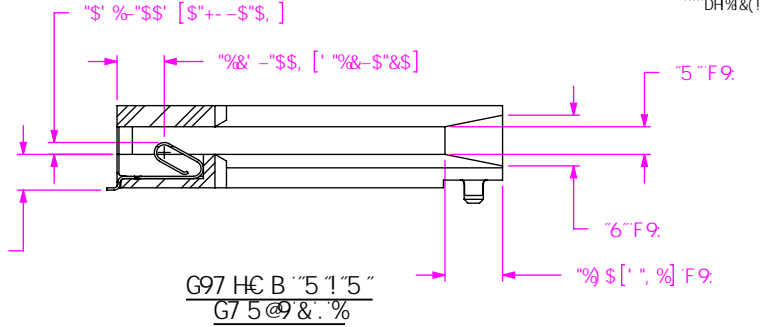
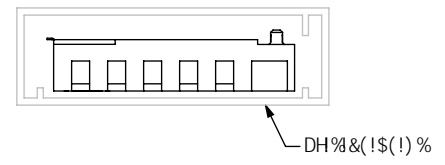
RCVGP V'P WO DGTU
837; 267

STYLE	"C"
-A1	.035 [0.89]
-SL	.050 [1.27]

No. OF POS	MAX COPLANARITY
20 - 39	.004 [.10]
40 - 50	.006 [.15]

BC H G
% @ @ F 9 D F 9 G 9 B H 5 7 F # 7 5 @ 8 A 9 B G C B *
& " H - G B C H 9 K 5 G 8 9 @ 9 8 *
" * G l F F 5 @ C K 5 B 7 9 . " \$ \$ % " A 5 L "
(" A 5 L A I A 7 I H : @ G < " \$ \$ %
) " A B A I A D I G < C I H : C F 7 9 . " @ "
" * H - G B C H 9 K 5 G 8 9 @ 9 8 *
+ * 5 F A @ 9 G G J 9 F G C B H C 1 G 9 H 6 9 B I A 6 9 F ' D H % & (! \$ & ' , 5 B 8
" & D H \$ + D @ ; G ' 5 F A 9 8 J 9 F G C B H C 1 G 9 H 6 9 B I A 6 9 F
" * " D H % & (! \$) % 5 B 8 & H I % ' D @ ; G "

D 5 7 ? 5 : B : J 9 K
f G 9 9 B C H 9 + t



I B @ G G : C H 9 F K @ 9 : G D 9 7 = 9 8 2
8 A 9 B G C B G 5 F 9 - B ' B 7 < 9 G
H C @ 9 F 5 B 7 9 G ' 5 F 9.

D F C D F 9 5 F M B C H P
H - G 8 C 7 1 A 9 8 H 7 C B H 6 8 G B : C F A 5 H C B
7 C B : 8 9 B H 5 @ 5 8 8 D F C D F 9 5 F M C
G 5 A H 7 2 8 7 * 5 B 8 G : 5 @ B C H 6 9 F 9 0 F C 8 1 7 9 8
C F H 5 B G 9 F 9 8 1 C C H 9 F 8 C 7 1 A 9 8 H G C F
8 4 7 @ C 9 8 1 C C H 9 F G C F 1 9 8 : C F 5 B M
D I F D C 9 C H 9 F H 5 B H 5 H K < 7 < H K 5 G
C 6 5 8 9 8 K # C I H K 9 9 D F 9 9 8 K F # 9 8
7 C B 9 8 H C : G 5 A H 7 2 8 7 "

A 5 H F @ 6 8 C ' B C H G 7 5 @ 9 8 F 5 K B : G : 9 9 H G 7 5 @ 9 8 . % 8 9 G 7 F D H C B .
6 C 8 M J 9 7 H 5 9 % \$]
..... 7 C @ F : 6 @ 5 7 ?
7 C B H 5 7 H 6 Y 7 1 2 % \$ L < A

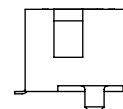
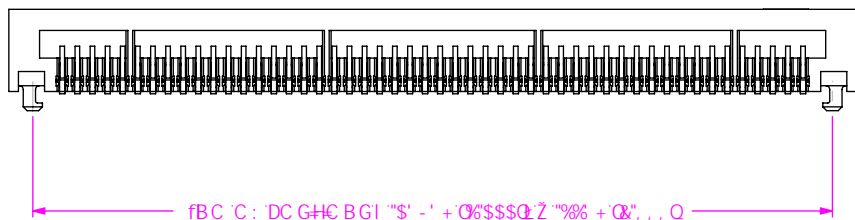
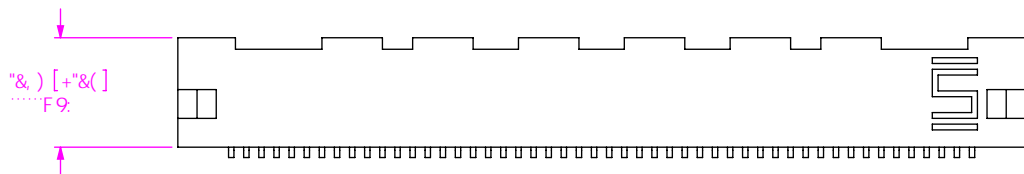
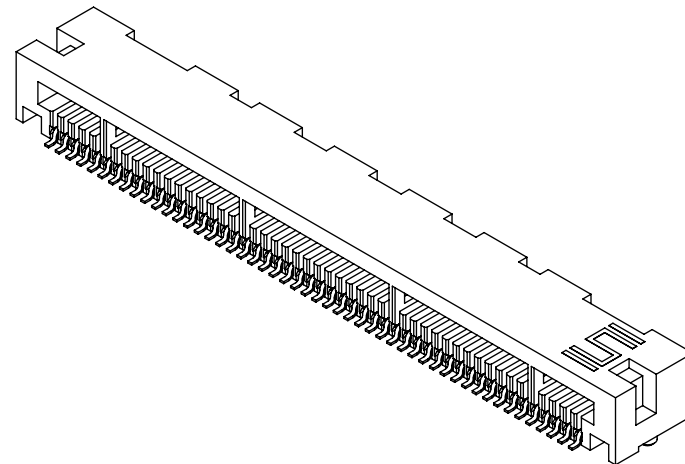
samtec

) & \$ D 5 F ? 9 5 G H 6 @ 8 2 B 9 K ' 5 @ 5 B M : B (+) \$
D < C B 9 ; % & - ((! * ' S L ; % & - (,) \$ (+
Y I A U J ; j z 4 G 5 A H 7 ' W c a W X Y .) ' & &

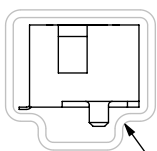
% a ' A - B # 7 5 F 8 ; | - 8 9

8 K : " B C "
A 6 % % L L ! L L ! L L ! Q L L ! L L ! L !
6 M > 9 F 9 A M K \$ ' ! % ! - - G < 9 9 H % C : &

!B 'C DH6 B
fB @8-A GG5A 9'9L7 9DH5GG<CK BŁ

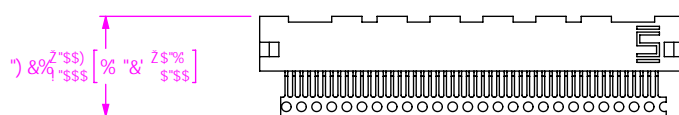


D5 7 ? 5 ; -B ; 'J -9K
fG99 BC H9' +Ł



DH%&(!\$&!',

-B!DFC 7 9GGJ -9K "OB 'C DH6 B.O



DFC.DF-915 FMBC H9
H: 68C 71 A 98H7C B16 BG B: C FA 5HC B
7 C B: 498H5 95B8 DFC DF 945 F4M C
GSA H9 2 B 7 * 5B 8 G- 500BC H69 F90FC 81 7 98
C F HF 5BG 9F 98 HC C H: 9F 8C 71 A 98HC F
8 47 @C 098 HC C H: 9FGC F 1 098 : C F 58M
DI FDC 09 C H: 9F H: 5B H: 5HK < 7 < H K 5G
C 615 B 98 K H: C I H H: 9'9L DF 9098 K F H98
7 C B 98HC : GSA H9 2 B 7 *

8C 'BCH G7 5 @9 8F5K -B:

G: 99HG 7 5 @9 & %

:.Pxk [Pa]gMPa _[PA 6%9L LILLILLI LLLLILLI LIA ?HG@8FK



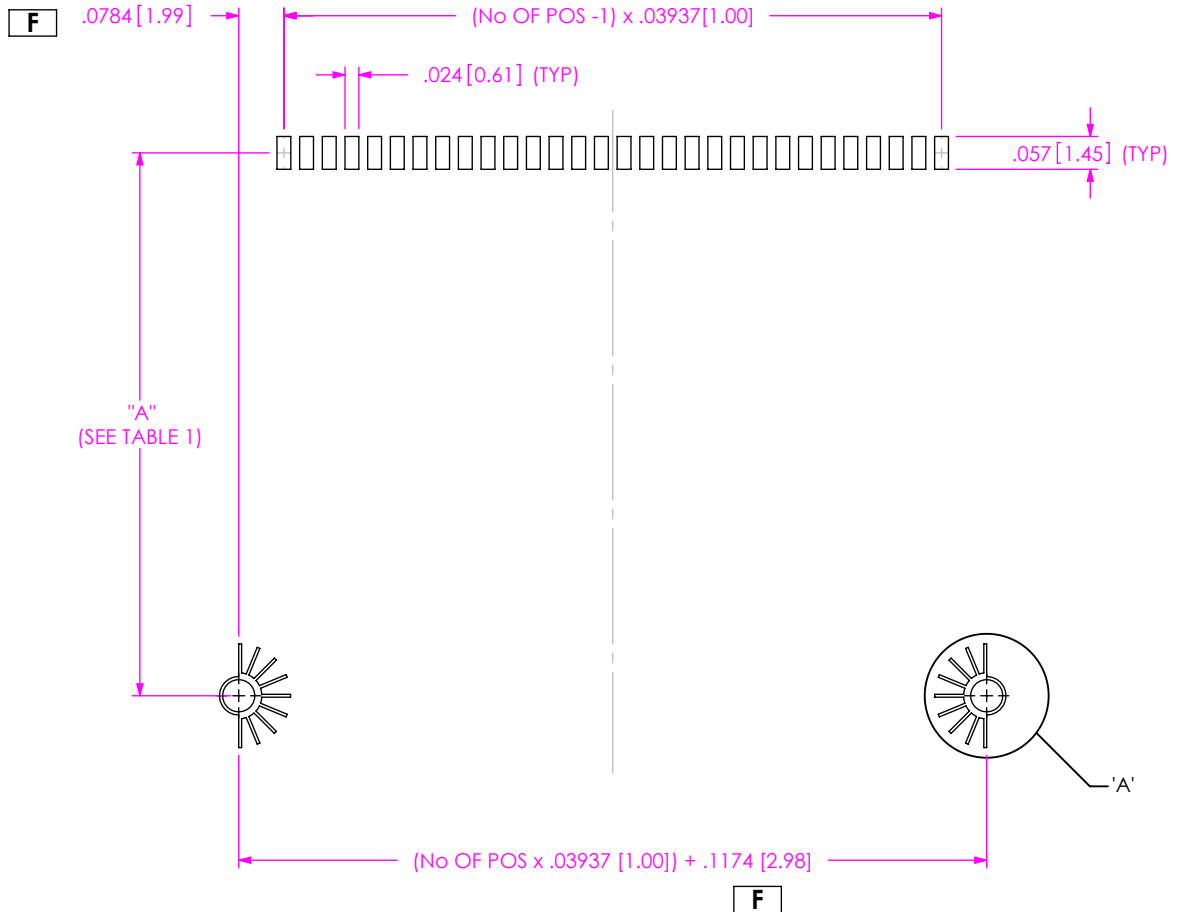
)&\$ D5 F? 95GH6@ 8ZB9K '5 @5BM B' (+%) \$
D<C B 9'; %&L - ((1* + '.....; SL'; %&L - (,) \$(+
YIA UJ.; ĩż: 4 GSA H9 7 'Wc a 'Wc XY..)' &&

89G7 F-DHC B.
%a a 'A -B #7 5F8'; I -89

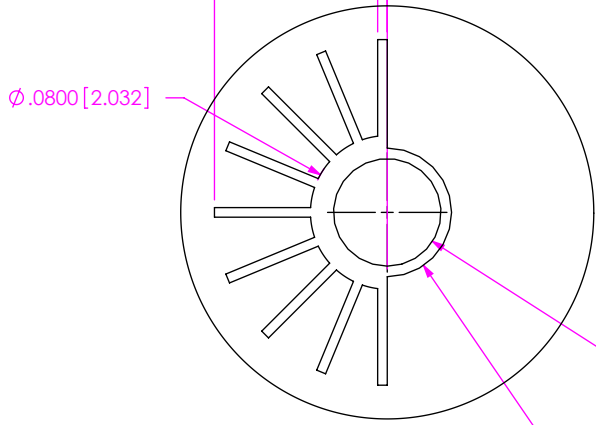
8K : "'BC"
A 6%9 L L L L L L L L L L L L L L L L L

6M >9F9A MK \$'!% !- - G<99H&C : &

F	EM	T SPINE
11/15/2007	ECN-83181	



.0050±.0020 [0.127±0.051] (TYP)
 .0900 [2.286] (TYP)



Ø.0560±.0020 [1.422±0.051] PTH

Ø.0670 [1.702]

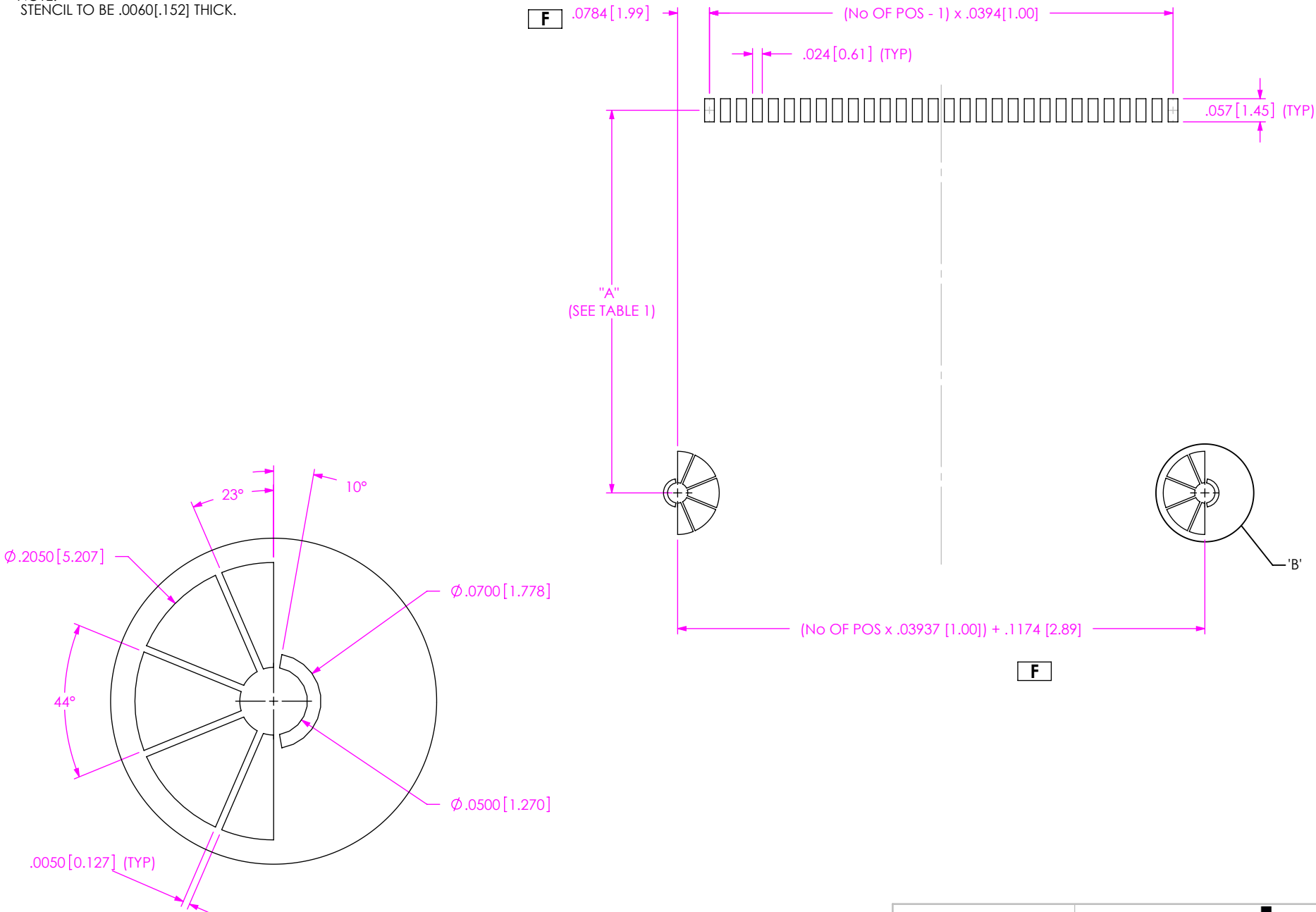
DETAIL 'A'
 SCALE 10 : 1

	"A"
WITH CARD GUIDES	.9430 [23.952]
WITHOUT CARD GUIDES	.1900 [4.826]

PROPRIETARY NOTE
 THIS DOCUMENT CONTAINS INFORMATION CONFIDENTIAL AND PROPRIETARY TO SAMTEC, INC. AND SHALL NOT BE REPRODUCED OR TRANSFERRED TO OTHER DOCUMENTS OR DISCLOSED TO OTHERS OR USED FOR ANY PURPOSE OTHER THAN THAT WHICH IT WAS OBTAINED WITHOUT THE EXPRESSED WRITTEN CONSENT OF SAMTEC, INC.

520 PARK EAST BLVD, NEW ALBANY, IN 47150
 PHONE: 812-944-6733 FAX: 812-948-5047
 e-Mail: info@SAMTEC.com code: 55322

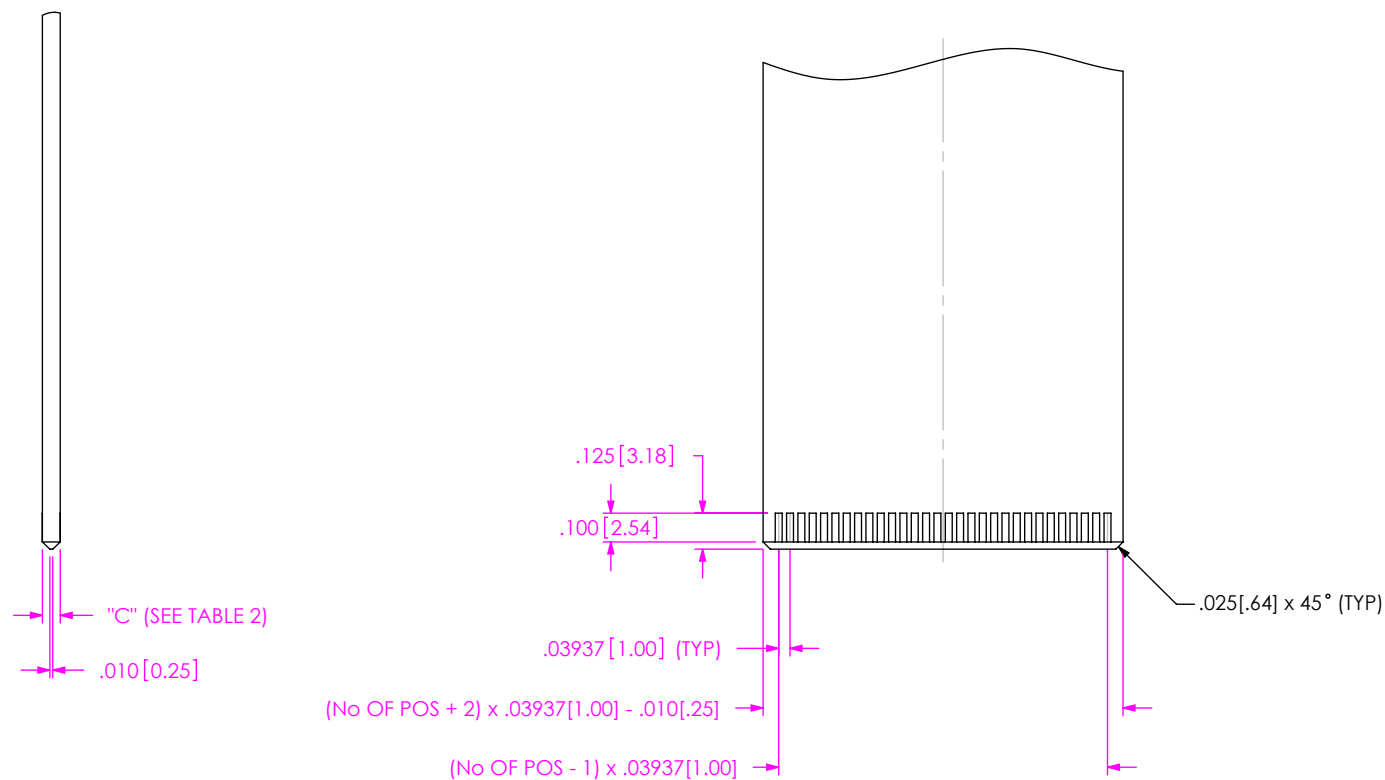
NOTE:
STENCIL TO BE .0060[.152] THICK.



DETAIL 'B'
SCALE 10 : 1

PROPRIETARY NOTE
THIS DOCUMENT CONTAINS INFORMATION
CONFIDENTIAL AND PROPRIETARY TO
SAMTEC, INC. AND SHALL NOT BE REPRODUCED
OR TRANSFERRED TO OTHER DOCUMENTS OR
DISCLOSED TO OTHERS OR USED FOR ANY
PURPOSE OTHER THAN THAT WHICH IT WAS
OBTAINED WITHOUT THE EXPRESSED WRITTEN
CONSENT OF SAMTEC, INC.

samtec
520 PARK EAST BLVD, NEW ALBANY, IN 47150
PHONE: 812-944-6733 FAX: 812-948-5047
e-Mail: info@SAMTEC.com code: 55322



CARD THICKNESS	"C"
-01	.031 [.79]
-02	.062 [1.57]

PROPRIETARY NOTE
 THIS DOCUMENT CONTAINS INFORMATION CONFIDENTIAL AND PROPRIETARY TO SAMTEC, INC. AND SHALL NOT BE REPRODUCED OR TRANSFERRED TO OTHER DOCUMENTS OR DISCLOSED TO OTHERS OR USED FOR ANY PURPOSE OTHER THAN THAT WHICH IT WAS OBTAINED WITHOUT THE EXPRESSED WRITTEN CONSENT OF SAMTEC, INC.



520 PARK EAST BLVD, NEW ALBANY, IN 47150
 PHONE: 812-944-6733 FAX: 812-948-5047
 e-Mail: info@SAMTEC.com code: 55322