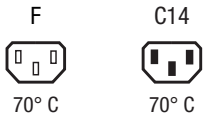


Distribution Unit with IEC Appliance Connector C14 and Appliance Plug F, 70°C



Minibloc 4747

**Description**

- Stand alone module
- 2 Functions:
of 4 outlets, Inlet, Pin temperature 70 °C, Protection class I

Characteristics

- Qualified for use in equipment according IEC/EN 60950

Weblinks

Approvals: <http://www.schurter.com/approvals>
RoHS: <http://www.schurter.com/rohs>

Technical Data

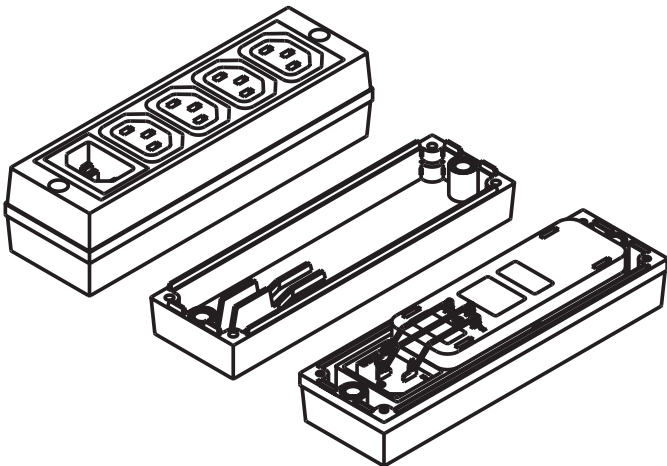
Ratings IEC	10 A / 250 VAC; 50 Hz
Ratings UL/CSA	15 A / 250 VAC; 60 Hz
Dielectric Strength	> 2 kVAC between L-N > 2 kVAC between L/N-PE (1 min/50 Hz)
Allowable Operation Temp.	-25 °C to 70 °C
Protection Class	Suitable for appliances with protection class I acc. to IEC 61140
Material: Housing	Thermoplastic, black, UL 94V-0

Appliance-Inlet /-Outlet	C14 acc. to IEC/EN 60320-1, F acc. to IEC/EN 60320-2-2, UL 498 CSA C22.2 no. 42 (for cold condition) pin-temperature 70 °C, 10 A, Protection class I
--------------------------	--

Dimensions

Length 147 mm

Minibloc 4747



Mounting holes for 3 mm screws on 135 mm centres
Dimensions: 147 mm long x 44 mm wide x 37 mm high

Variants

Terminal	Version with	Order Number
-	inlet	4747.0000

Packaging unit 30 Pcs
