

MICRO SWITCH
a Honeywell Division

FED. MFG. CODE 91929

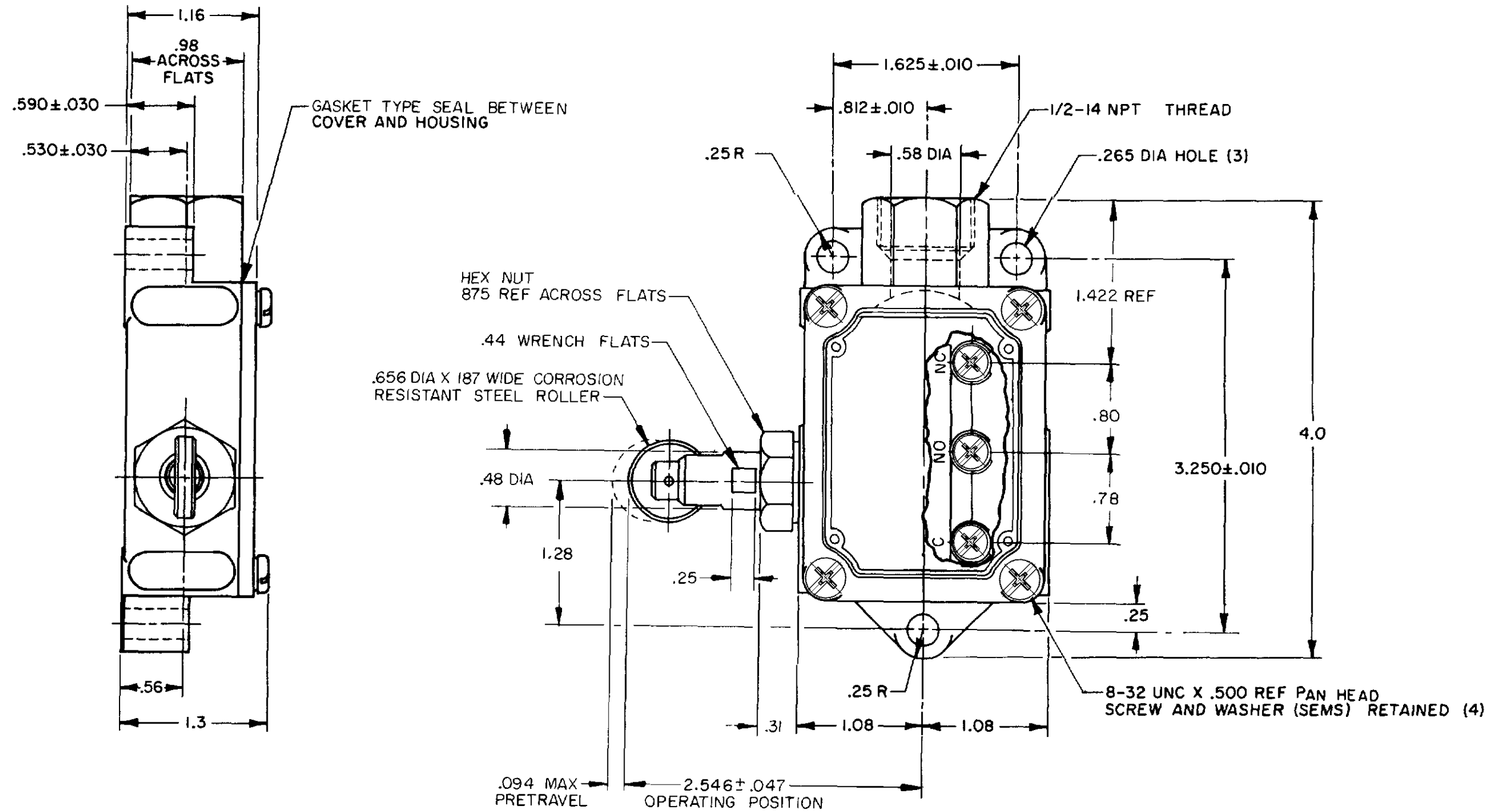
SWITCH - ENCLOSED

CATALOG LISTING
BAF1-2RQ9-LH
(LEFT HAND)

CATALOG LISTING
BAF1-2RQ9-LH
PAGE 1 OF 1
RELEASE NO. CO-73287 M
REPLACES

REVISIONS
A CO-73287M
GJW
15 MAY 95
B 83053A
GJW
2 APR 97
C C095664
GJW
7 JAN 00

CHECK
25 MAY 95
JJA
CHECK
15 MAY 95
GJW
DRAWN



THIS DRAWING COVERS A PROPRIETARY ITEM AND IS THE PROPERTY OF MICRO SWITCH, A DIVISION OF HONEYWELL. THIS DRAWING IS NOT TO BE COPIED OR USED WITHOUT THE APPROVAL OF MICRO SWITCH

CHARACTERISTICS	ELECTRICAL DATA
OPERATING FORCE - - - - - 2 1/2 LB MAX	CONTACT ARRANGEMENT S P D T
RELEASE FORCE - - - - - 3/4 LB MIN	L23 20A 125, 250 OR 480 VAC 10A 125 VAC "L"
DIFFERENTIAL TRAVEL - - - - - .010 MAX	1HP 125 VAC, 2HP 250 VAC
OVERTRAVEL - - - - - .156 MIN	1/2A 125 VDC, 1/4A 250 VDC
SWITCH-BASIC REPLACEMENT - - BA-2R708-P7	

THIRD ANGLE PROJECTION
SCALE FULL
DO NOT SCALE PRINT
UNLESS OTHERWISE SPECIFIED TOLERANCES ARE
ONE PLACE (.0) ±.030
TWO PLACE (.00) ±.015
THREE PLACE (.000) ±.005
ANGLES ±
WEIGHT .550 LB

NOTE

- 1 - 8-32 UNC X (.219) BINDER HEAD, COMBINATION, TERMINAL SCREWS AND CUPWASHERS
- 2 - ROLLER PLUNGER ASSEMBLY MAY BE SET AT ANY POSITION AROUND AXIS OF PLUNGER