



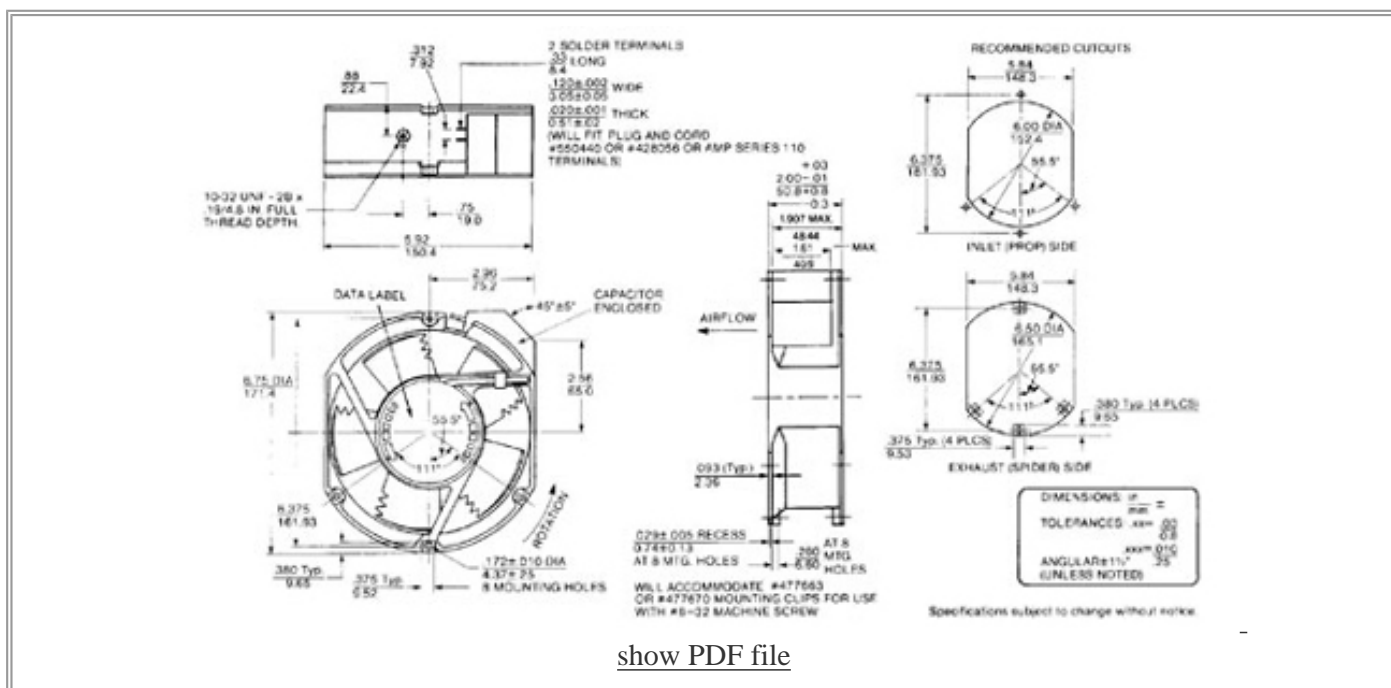
Major AC (AC Fan)

COMAIR ROTRON PART NUMBER: **028245**
 COMAIR ROTRON MODEL NUMBER: **MR2B3**
RoHS Certificate of Compliant



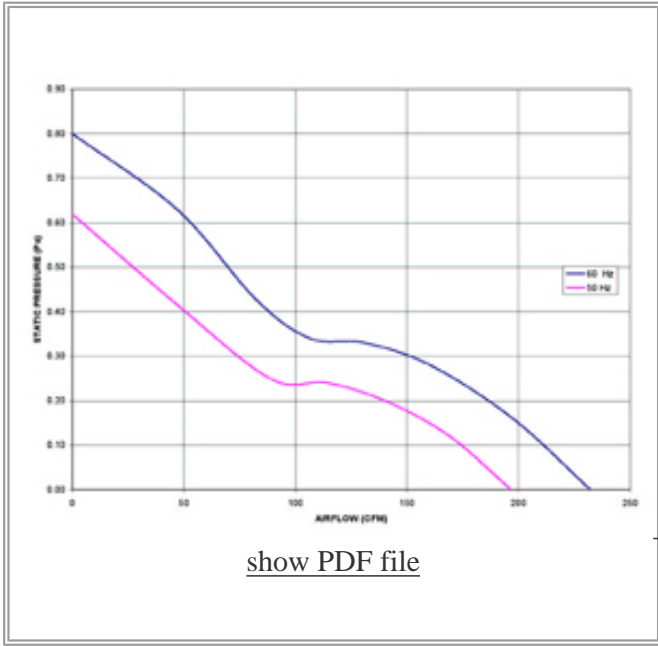
| MOTOR | |
|-------------------------------------|-------------|
| Rated Voltage: | 115 |
| Operating Voltage Range: | |
| Running Current: 50Hz 60Hz (amps) | 0.27 0.26 |
| Locked Rotor Current: (amps) | 0.49 |
| Rated Power: 50Hz 60Hz (watts) | 30 31 |
| Nominal Speed: 50Hz 60Hz (rpm) | 2880 3400 |

| MECHANICAL | |
|---------------|---|
| Dimensions: | 172mm x 150mm x 51mm (6.75in x 5.92in x 2.00in) |
| Bearing Type: | Ball |
| Motor Base: | Metal |
| Propeller: | Injection molded polycarbonate |



[show PDF file](#)

NOTES



| PERFORMANCE CHARACTERISTICS | |
|-----------------------------|-----------|
| Air Flow: (CFM) | 200/235 |
| Static Pressure: | .619/.800 |

| TERMINATION | |
|-------------|-----------|
| Leadwires: | Terminals |

| SAFETY | |
|--------|--|
| | |

All product names are used under license and are trademarks or registered trademarks of Comair Rotron, Inc.

[New Search](#)