

5

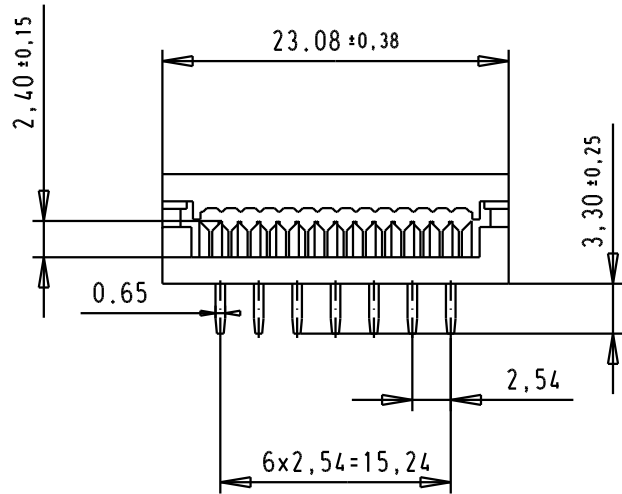
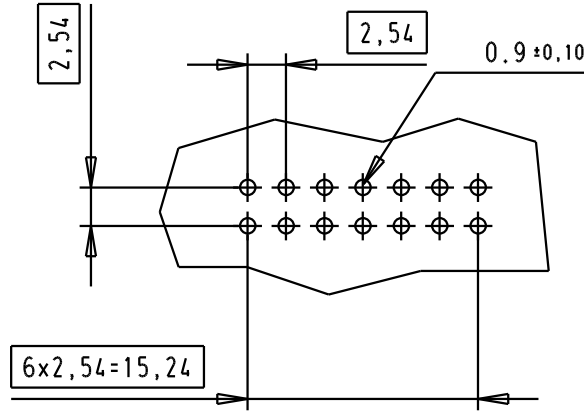
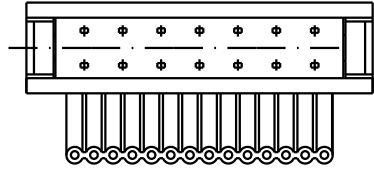
4

3

2

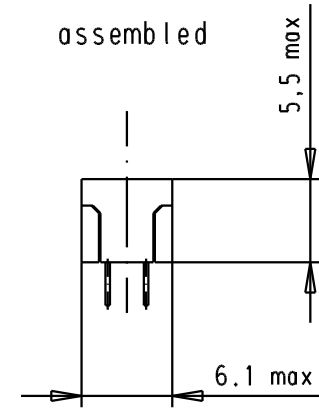
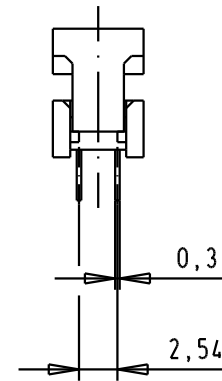
1

Printed board layout, component side



pre assembled

assembled



							SEK 18, P.C.B Transition 14 poles connector 2 rows - Low Profile	Maßstab/ Scale  2:1	
			Det.	02/04/04	JH				All Dim. in mm Orig. Size DIN A 4
			Insp.						
			Stand.						
			31884	02/04/04	JH		TB 09181149622	Blatt/ Page 1	
			Mod.						Sub.
09181149622 part number			HARTING EURL F-95972 Paris						

D

C

B

A