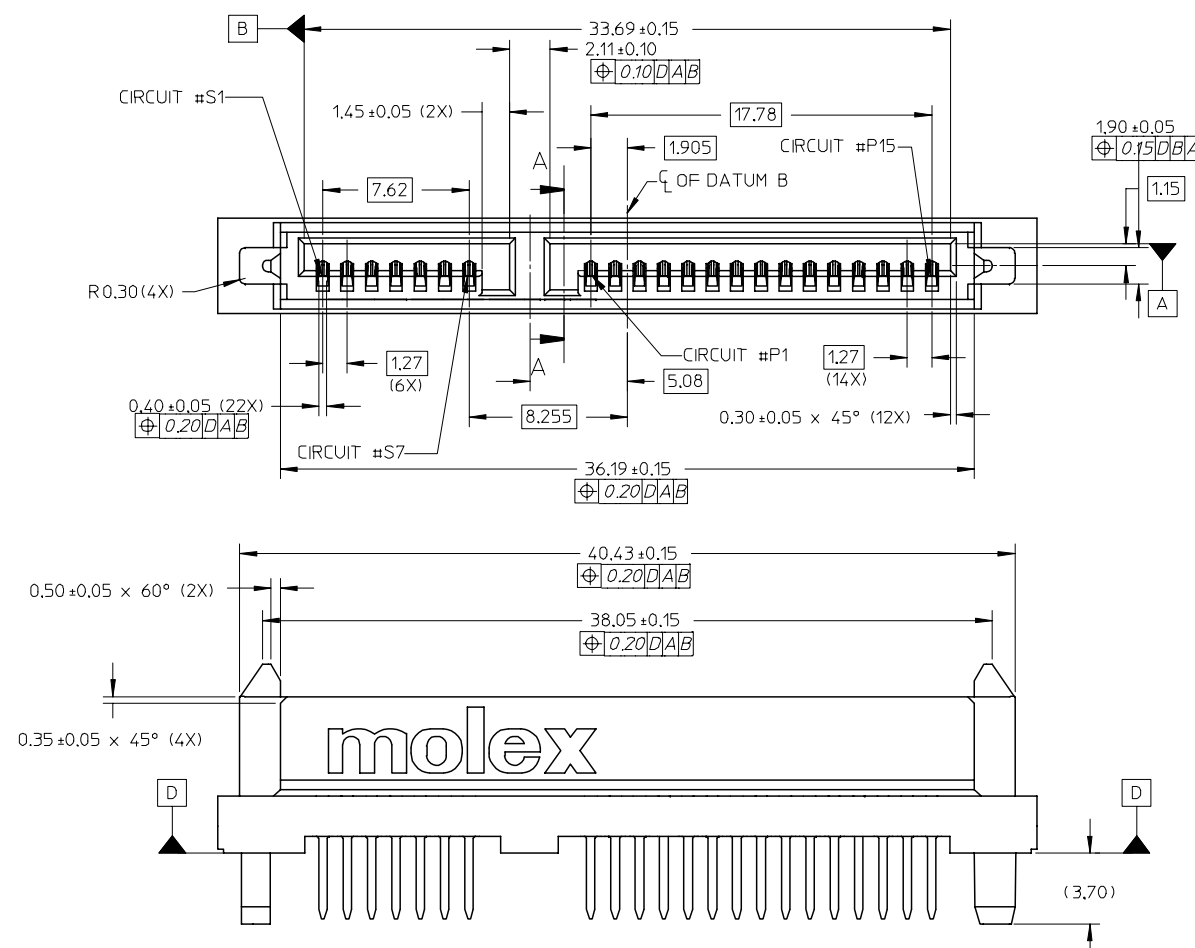
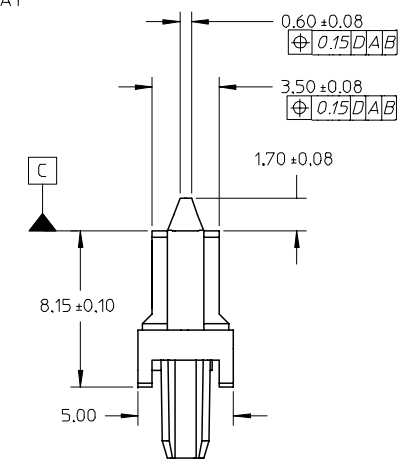


87779

PLATING OPTION	PART NUMBER
(TIN/LEAD)	87779-0001
TIN	87779-1001

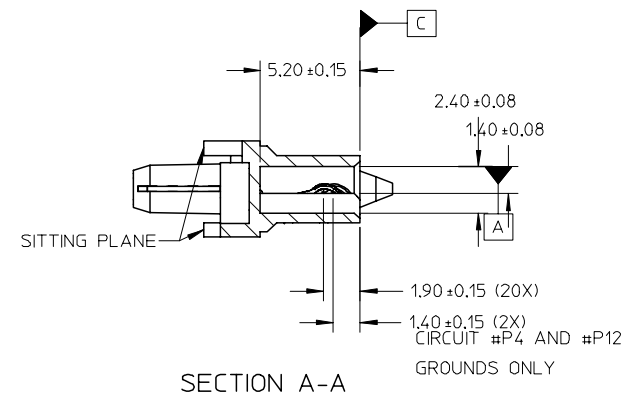
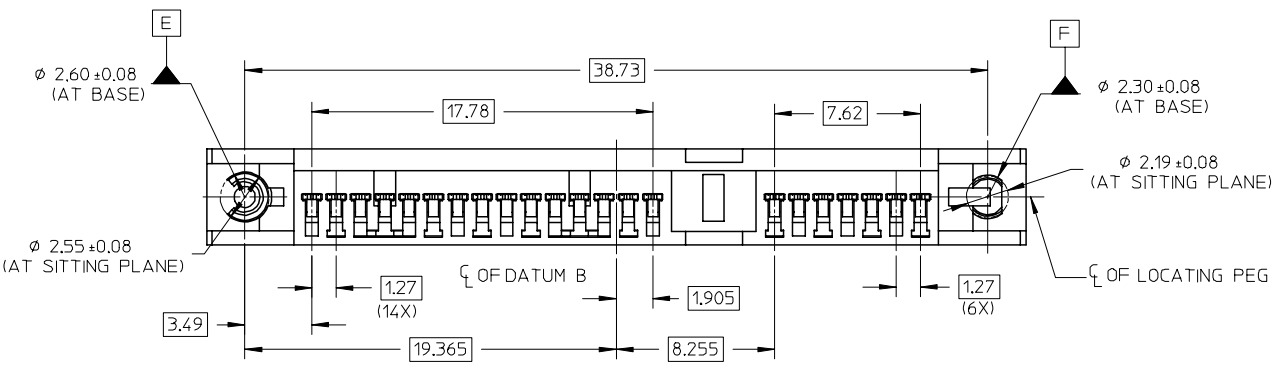
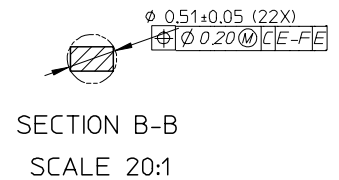
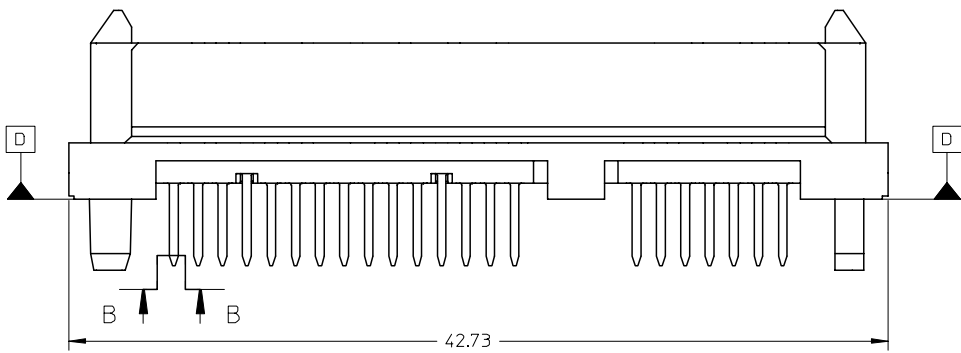


- NOTES:
1. MATERIAL: HIGH TEMPERATURE THERMOPLASTIC. UL 94V-0. COLOR: BLACK
TERMINAL: COPPER ALLOY
 2. PLATING:
CONTACT: 0.76μm MIN. SELECTIVE GOLD OVER 1.27μm MIN. NICKEL UNDERPLATE
SOLDERTAIL: 2.54μ MIN. TIN/LEAD OR TIN OVER 1.27 μm MIN. NICKEL UNDERPLATE
 3. MOLEX LOGO LOCATED APPROXIMATELY AS SHOWN
 4. MAXIMUM WARPAGE OF 0.13 mm OVER THE LENGTH OF THE CONNECTOR IN ANY DIRECTION BEFORE AND AFTER EXPOSURE TO MAX. 260°C FOR 10 SECONDS
 5. PRODUCT SPECIFICATION: PS-87779-011 APPLIES
 6. PACKAGING
30 CONNECTORS PER TRAY

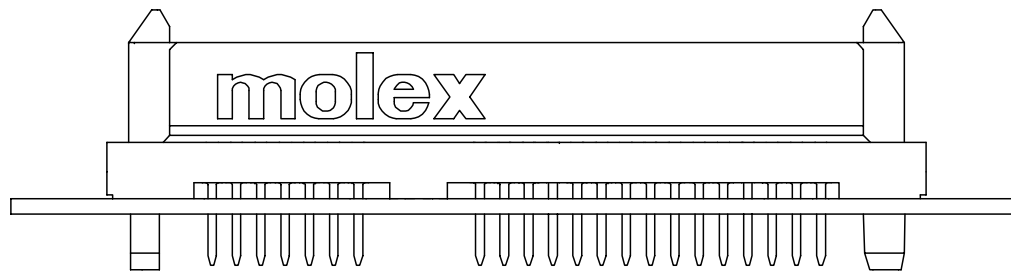
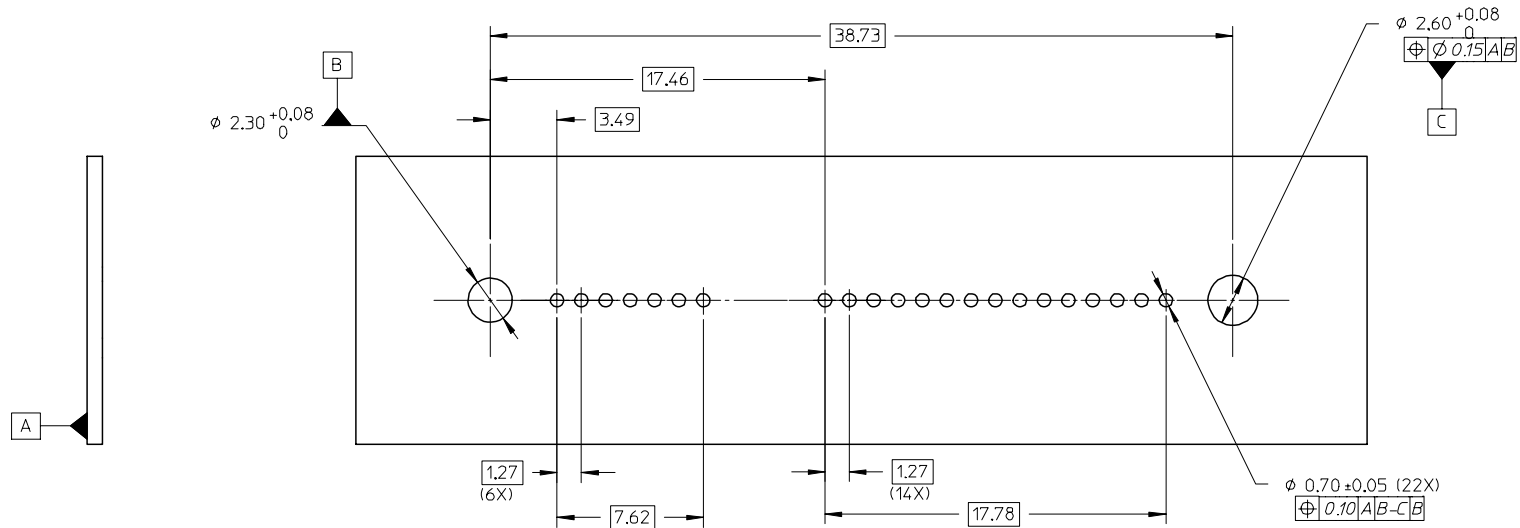


THE DESIGN IS BASED ON DESIGN OBJECTIVES AND IS STRICTLY TENTATIVE. IT MAY CHANGE BASED ON RESULTS OF ADDITIONAL DESIGN REVIEWS & VERIFICATIONS

ADD ASSY P/N FOR LF EC NO: S2005-0143 DRWN:DKOH 2004/09/01 CHKD:BLOW 2004/09/01 APPR:SKTOH 2004/09/01	QUALITY SYMBOLS ▽ = 0 ▽C = 0	GENERAL TOLERANCES (UNLESS SPECIFIED)		SCALE NTS	DESIGN UNITS METRIC	THIRD ANGLE PROJECTION	REVISE ON CAD ONLY
		4 PLACES ± --- ± ---	3 PLACES ± --- ± ---	DIMENSION STYLE MM ONLY		TITLE SALES DRAWING SERIAL ATA, BACKPLANE STD HEIGHT, RECEPT., T/H	
REV	DESCRIPTION	2 PLACES ± 0.20 ± ---	1 PLACE ± --- ± ---	DRAWN BY DKOH	DATE 2003/11/24	MATERIAL NO. SEE TABLE	
		ANGULAR ± 3°		CHECKED BY KCLING	DATE 2003/12/03	DOCUMENT NO. SD-87779-020	
DRAFT WHERE APPLICABLE		MUST REMAIN WITHIN DIMENSIONS		APPROVED BY SKTOH	DATE 2003/12/03	SHEET NO. 1 OF 4	
THIS DRAWING CONTAINS INFORMATION THAT IS PROPRIETARY TO MOLEX INCORPORATED AND SHOULD NOT BE USED WITHOUT WRITTEN PERMISSION							



ADD ASSY P/N FOR LF EC NO: S2005-0143 DRWN:DKOH 2004/09/01 CHKD:BLOW 2004/09/01 APPR:SKTOH 2004/09/01	QUALITY SYMBOLS ▽ = 0 ▽ = 0	GENERAL TOLERANCES (UNLESS SPECIFIED)		SCALE NTS	DESIGN UNITS METRIC	THIRD ANGLE PROJECTION	REVISE ON CAD ONLY		
			mm	INCH	DIMENSION STYLE MM ONLY		TITLE		
		4 PLACES	± ---	± ---	DRAWN BY DKOH	DATE 2003/11/24	SALES DRAWING SERIAL ATA, BACKPLANE STD HEIGHT, RECEPT., T/H		
		3 PLACES	± ---	± ---	CHECKED BY KCLING	DATE 2003/12/03	MOLEX INCORPORATED		
2 PLACES	± 0.20	± ---	DRAFT WHERE APPLICABLE		APPROVED BY SKTOH	DATE 2003/12/03	MATERIAL NO. SEE TABLE	DOCUMENT NO. SD-87779-020	SHEET NO. 2 OF 4
1 PLACE	± ---	± ---	MUST REMAIN WITHIN DIMENSIONS		THIS DRAWING CONTAINS INFORMATION THAT IS PROPRIETARY TO MOLEX INCORPORATED AND SHOULD NOT BE USED WITHOUT WRITTEN PERMISSION				



PCB THICKNESS: TBA mm
RECOMMENDED PCB LAYOUT

ADD ASSY P/N FOR LF EC NO: S2005-0143 DRWN:DKOH 2004/09/01 CHKD:BLOW 2004/09/01 APPR:SKTOH 2004/09/01	DESCRIPTION B	QUALITY SYMBOLS	GENERAL TOLERANCES (UNLESS SPECIFIED)		SCALE NTS	DESIGN UNITS METRIC	THIRD ANGLE PROJECTION	REVISE ON CAD ONLY
		$\nabla = 0$ $\sphericalangle = 0$	mm INCH 4 PLACES ± --- ± --- 3 PLACES ± --- ± --- 2 PLACES ± 0.20 ± --- 1 PLACE ± --- ± --- ANGULAR ± 3 °	DIMENSION STYLE MM ONLY		TITLE SALES DRAWING SERIAL ATA, BACKPLANE STD HEIGHT, RECEPT., T/H		
		DRAFT WHERE APPLICABLE	MUST REMAIN WITHIN DIMENSIONS		DRAWN BY: DKOH CHECKED BY: KCLING APPROVED BY: SKTOH	DATE: 2003/11/24 DATE: 2003/12/03 DATE: 2003/12/03	MATERIAL NO.: SEE TABLE DOCUMENT NO.: SD-87779-020	SHEET NO.: 3 OF 4
		THIS DRAWING CONTAINS INFORMATION THAT IS PROPRIETARY TO MOLEX INCORPORATED AND SHOULD NOT BE USED WITHOUT WRITTEN PERMISSION						

F

F

E

E

D

D

C

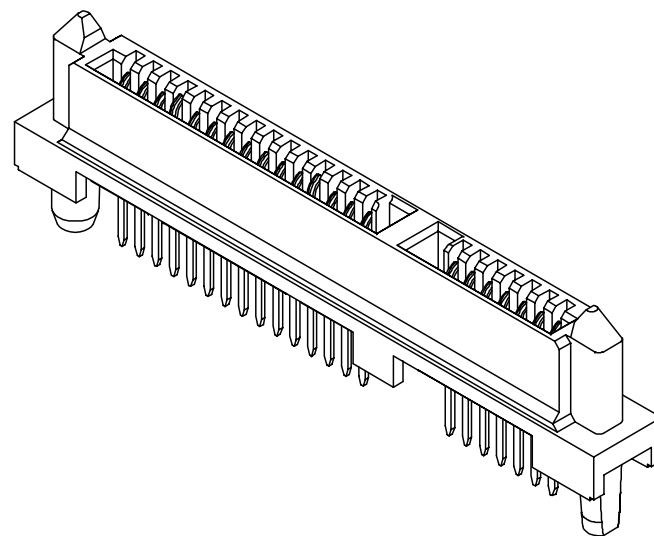
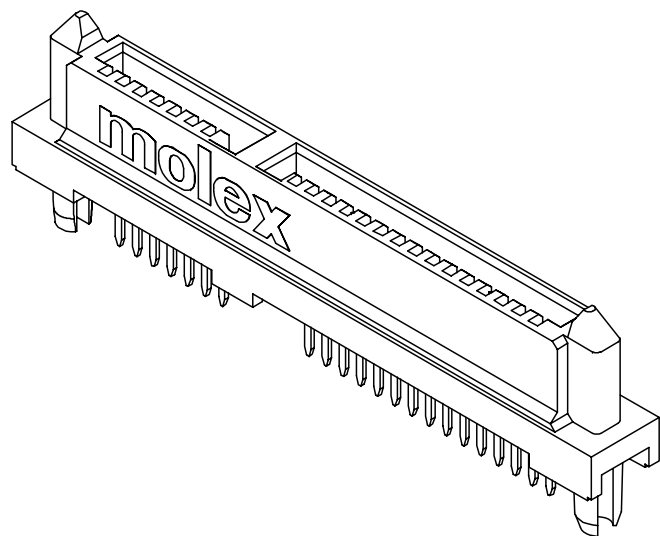
C

B

B

A

A



ADD ASSY P/N FOR LF EC NO: S2005-0143 DRWN:DKOH 2004/09/01 CHKD:BLOW 2004/09/01 APPR:SKTOH 2004/09/01	DESCRIPTION REV B	QUALITY SYMBOLS ▼ = 0 ◻ = 0	GENERAL TOLERANCES (UNLESS SPECIFIED)		SCALE NTS	DESIGN UNITS METRIC	THIRD ANGLE PROJECTION	REVISE ON CAD ONLY		
		4 PLACES ± --- ± --- 3 PLACES ± --- ± --- 2 PLACES ± 0.20 ± --- 1 PLACE ± --- ± ---	mm INCH	DIMENSION STYLE MM ONLY		TITLE SALES DRAWING SERIAL ATA, BACKPLANE STD HEIGHT, RECEPT., T/H				
		ANGULAR ± 3 °		DRAFT WHERE APPLICABLE MUST REMAIN WITHIN DIMENSIONS		DRAWN BY DKOH	DATE 2003/11/24	MOLEX INCORPORATED		
						CHECKED BY KCLING	DATE 2003/12/03	MATERIAL NO. SEE TABLE	DOCUMENT NO. SD-87779-020	SHEET NO. 4 OF 4

B