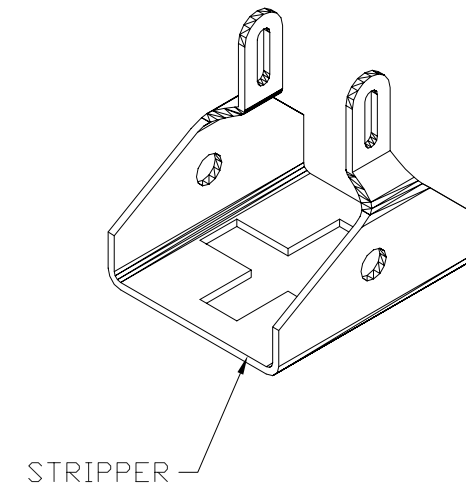
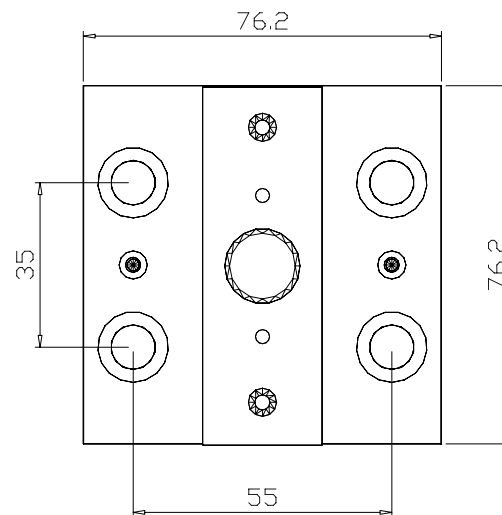
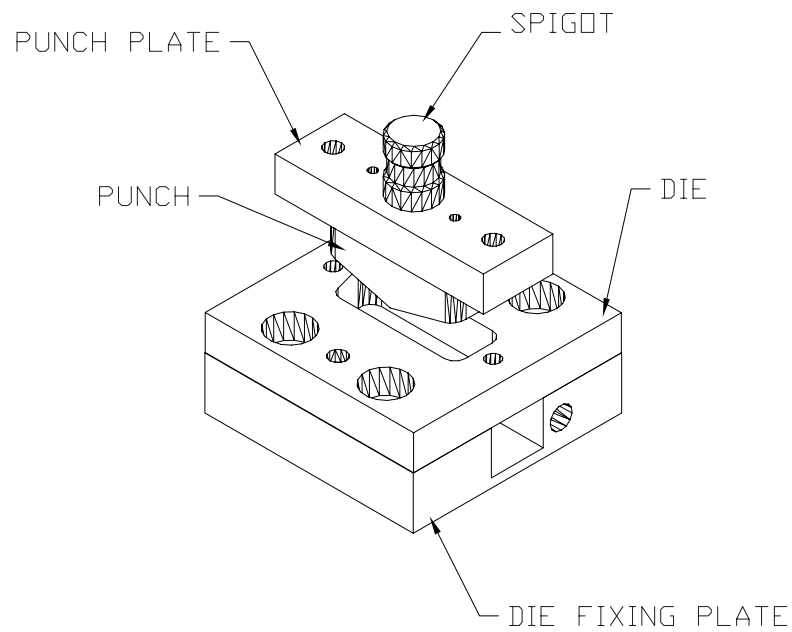


This is a purpose designed tool, which enables the complicated cut-out shape for a scart connector to be easily pierced into the workpiece.  
 This tool comes supplied with its own stripper.

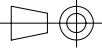
Material	Mild Steel
Spigot	Mild Steel
Punch Plate	Mild Steel
Punch	Tool Steel
Die	Tool Steel
Die Fixing plate	Mild Steel
Stripper	Mild Steel



DrgNo 901-1300

TITLE SCART PUNCH AND DIE

ALL DIMENSIONS IN MM  
 ANGLES IN DECIMAL DEGREES



ISSUE 1

GENERAL SPECIFICATION  
 FOR 901-1300

CUSTOMER		FILTER REF		Scale: NTS		Sheet 1 / 1	
Aprvd Date 06/05/02	Aprvd By MC	Drwn by BFS					