

Type series H 57



- 7- resp. 8-digit hour meter
- High shock resistance
- Without reset
- Small dimension
- Magnified figures
- Protection IP 52
- Data retention when breaking of power supply
- Long service life
- Optional mounting position
- UL-approvals

Applications

general counting, service interval for measurement systems (respiratory ventilators, oxygen machines, dialysis machines), small appliances, UV lamps, display panels in cars.

Technical data:

Electrical connection:	clamp terminal for cable diameter up to 2,5 mm ² , tightening torque max. 0,8 Nm
Power consumption:	10 ... 30 V DC: appr. 500 mW 100 ... 130 V DC: appr. 750 mW 20 ... 30 V AC, 50 Hz appr. 0,3 VA 42 ... 48 V AC, 50 Hz appr. 0.25 VA 100 ... 130 V AC, 50 Hz appr. 0.6 VA 187 ... 264 V AC, 50 Hz appr. 1.2 VA 360 ... 440 V AC, 50 Hz appr. 1.65 VA
Rated voltages:	20...30/42...48/100...130/187...264/360...440 V AC, 50 or 60 Hz, 10...30/100...130 V DC
On time:	100 %
Display:	7 at AC 99999.99 8 at DC 999999.99
Accuracy:	AC: Supply frequency + 30 ms DC: < 0.003 % (24 h)
Count mode:	adding
Height of figures:	4 mm
Colour of figures:	white and red on black
Ambient temperature:	-15° ... +50°C
Mounting position:	any
Protection:	up to IP 52, DIN 40 050 front side
Housing:	Plastic

Weight:	H 57: 48 g; AH 57: 84 g
Base mount socket No. 48	36 g
Slip-on bezel 55	8 g
Slip-on bezel 72	13 g

Operating indicator of the running time meter:
AC: Fast rotating wheel with red dashes
DC: 1/100 h display turns continuously by 1 digit in 36 s

Test voltage: 2000 V AC , 50 Hz for AC counters

Options: Further voltages on request

Counter with wire entry from below, screw fixing from rear.

Art-No. 3.228.401.XXX.044

Colour of housing: grey: Art-No. 3.22X.400.XXX

Flat pin 0.8 x 6.3 mm

Art-No. 3.228.401.XXX

Cap wrapped (IP 65 from front)

IP 65 version: Order code: 3.22X.XXX.XXX.422

Necessary sealing between counter and bezel:

H 57: N.511.018

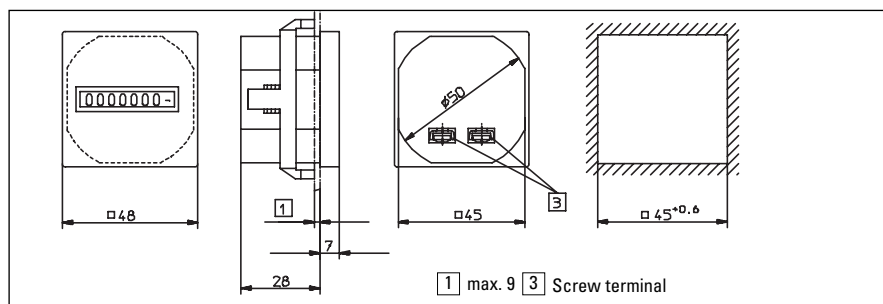
H 57.55: N.511.018 + N.511.017

H 57.72: N.511.018 + N.511.016

(at IP 65 version delivery includes sealing)

Approvals: UL for USA and Canada E128604

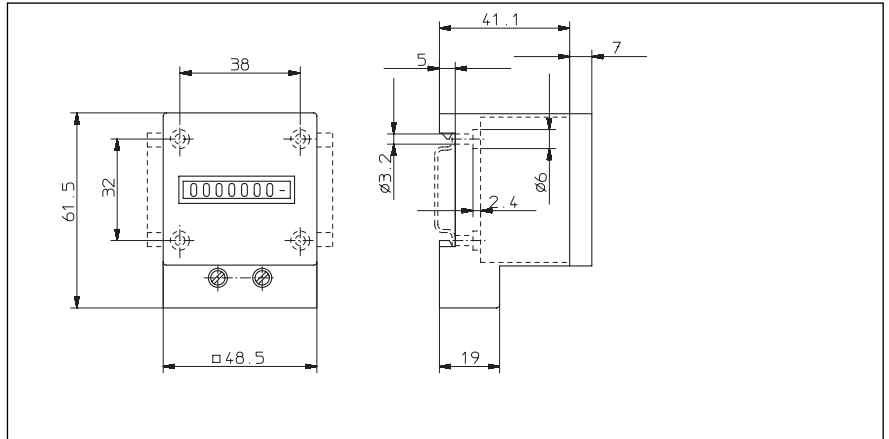
H 57



Voltage	Art-No. (AC), 50 Hz	Art-No. (AC), 60 Hz	Art-No. (V DC)
10 ... 30			3.220.401.351
20 ... 30	3.220.401.071	3.220.401.081	
36 ... 80			3.220.401.353
42 ... 48	3.220.401.072	3.220.401.082	
100 ... 130	3.220.401.074	3.220.401.084	3.220.401.381
187 ... 264	3.220.401.075	3.220.401.085	
360 ... 440	3.220.401.079	3.220.401.089	

Type series H 57

AH 57



Voltage	Art-No. (AC), 50 Hz	Art-No. (AC), 60 Hz	Art-No. (V DC)
10 ... 30			3.223.401.351
10 ... 50			3.223.401.371
20 ... 30	3.223.401.071	3.223.401.081	
36 ... 80			3.223.401.353
42 ... 48	3.223.401.072	3.223.401.082	
100 ... 130	3.223.401.074	3.223.401.084	3.223.401.381
187 ... 264	3.223.401.075	3.223.401.085	
360 ... 440	3.223.401.079	3.223.401.089	

Slip-on bezel 55 x 55

black: Art-No. T008.171
grey: Art-No. T008.170



Slip-on bezel 72 x 72

black: Art-No. T008.177
grey: Art-No. T008.176



Slip-on bezel 55 x 55

black: Art-No. G008.040
grey: Art-No. G008.041



For hour meter H57 with flat pins
Art-No. 3.228.401.XXX

Slip-on bezel Ø 72 for Panel cut-out Ø 60 mm, colour black Art-No. N.510.226

