



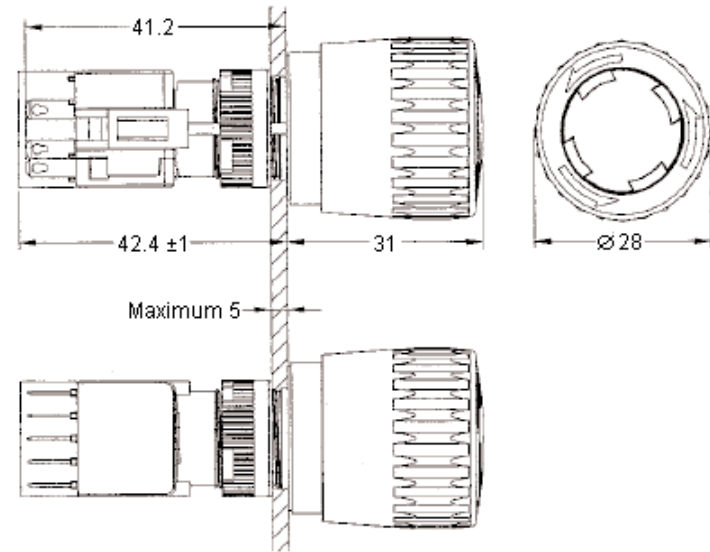
PART NO.

MCADA16E6-R11-B1XR

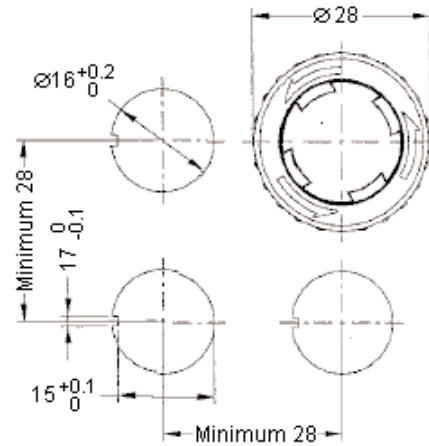
REVISIONS

ECN #	REV	DESCRIPTION	DRAWN	DATE	CHECKD	DATE	APPRVD	DATE
-	A	RELEASED	Veena	18/6/08	Suresh	18/6/08	G. C	5/07/08

Soldering/Plug-in Type Emergency Stop Switch



Hole Diameter



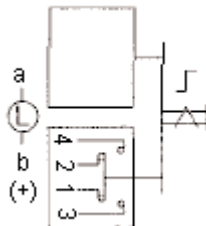
Specifications:

Mechanical lifetime	: >0.1 million operations.
Electric rating	: 250V ac, 5A : 125V ac, 8A.
Maximum insulation voltage	: 2000V, 60HZ, 1 minute between all terminals and ground.
Minimum motion tolerance	: <10 operation.
Panel thickness	: 0.5mm to 5mm.
Degree of protection	: IP 65.
Storage temperature	: -40°C to +70°C.
Operating temperature	: -25°C to +55°C.

Bottom View



Electrical Diagram



Dimensions : Millimetres

This data sheet and its contents (the "Information") belong to the Premier Farnell Group (the "Group") or are licensed to it. No licence is granted for the use of it other than for information purposes in connection with the products to which it relates. No licence of any intellectual property rights is granted. The Information is subject to change without notice and replaces all data sheets previously supplied. The Information supplied is believed to be accurate but the Group assumes no responsibility for its accuracy or completeness, any error in or omission from it or for any use made of it. Users of this data sheet should check for themselves the Information and the suitability of the products for their purpose and not make any assumptions based on information included or omitted. Liability for loss or damage resulting from any reliance on the Information or use of it (including liability resulting from negligence or where the Group was aware of the possibility of such loss or damage arising) is excluded. This will not operate to limit or restrict the Group's liability for death or personal injury resulting from its negligence. SPC MULTICOMP is the registered trademark of the Group. © Premier Farnell plc 2008.

TOLERANCES:

UNLESS OTHERWISE SPECIFIED, DIMENSIONS ARE FOR REFERENCE PURPOSES ONLY.

DRAWN BY:	DATE:
Veena	18/06/08
CHECKED BY:	DATE:
Suresh	18/06/08
APPROVED BY:	DATE:
G.Cook	02/07/08

DRAWING TITLE:

Emergency Stop Switch - 28mm Diameter Head

SIZE A	DWG NO. M10001246	ELECTRONIC FILE ADA16E6-R11-B1XR_DWG	REV A
SCALE: NTS	U.O.M.: mm	SHEET: 1 OF 2	



PART NO.

MCADA16E6-R11-B1XR

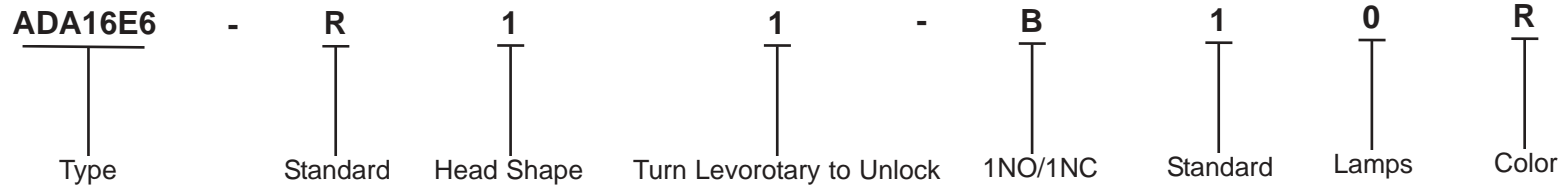
REVISIONS

ECN #	REV	DESCRIPTION	DRAWN	DATE	CHECKD	DATE	APPRVD	DATE
-	A	RELEASED	Veena	18/6/08	Suresh	18/6/08	G. C	5/07/08

Part Number Table

Description	Part Number
Switch, Emergency Stop, Blade Terminals	MCADA16E6-R11-B10R
Switch, Emergency Stop, 12V, LED Illum	MCADA16E6-R11-B1JR
Switch, Emergency Stop, 24V, LED Illum	MCADA16E6-R11-B1KR
Switch, Emergency Stop, 110V, Neon Illum	MCADA16E6-R11-B1FR
Switch, Emergency Stop, 240V, Neon Illum	MCADA16E6-R11-B1GR

Part Number Explanation:



Head Shape : 1 = (φ28x30mm)
Lamps : 0 = Without Lamps, J = LED 12V dc, K = LED 24V dc, F = Neon 110V ac and G = Neon 220V ac.
Color : R = Red.

<http://www.farnell.com>
<http://www.newark.com>
<http://www.cpc.co.uk>

This data sheet and its contents (the "Information") belong to the Premier Farnell Group (the "Group") or are licensed to it. No licence is granted for the use of it other than for information purposes in connection with the products to which it relates. No licence of any intellectual property rights is granted. The Information is subject to change without notice and replaces all data sheets previously supplied. The Information supplied is believed to be accurate but the Group assumes no responsibility for its accuracy or completeness, any error in or omission from it or for any use made of it. Users of this data sheet should check for themselves the Information and the suitability of the products for their purpose and not make any assumptions based on information included or omitted. Liability for loss or damage resulting from any reliance on the Information or use of it (including liability resulting from negligence or where the Group was aware of the possibility of such loss or damage arising) is excluded. This will not operate to limit or restrict the Group's liability for death or personal injury resulting from its negligence. SPC MULTICOMP is the registered trademark of the Group. © Premier Farnell plc 2008.

TOLERANCES:
 UNLESS OTHERWISE SPECIFIED, DIMENSIONS ARE FOR REFERENCE PURPOSES ONLY.

DRAWN BY:	DATE:
Veena	18/06/08
CHECKED BY:	DATE:
Suresh	18/06/08
APPROVED BY:	DATE:
G.Cook	02/07/08

DRAWING TITLE:			
Emergency Stop Switch - 28mm Diameter Head			
SIZE A	DWG NO. M10001246	ELECTRONIC FILE ADA16E6-R11-B1XR_DWG	REV A
SCALE: NTS		U.O.M.: mm	SHEET: 2 OF 2