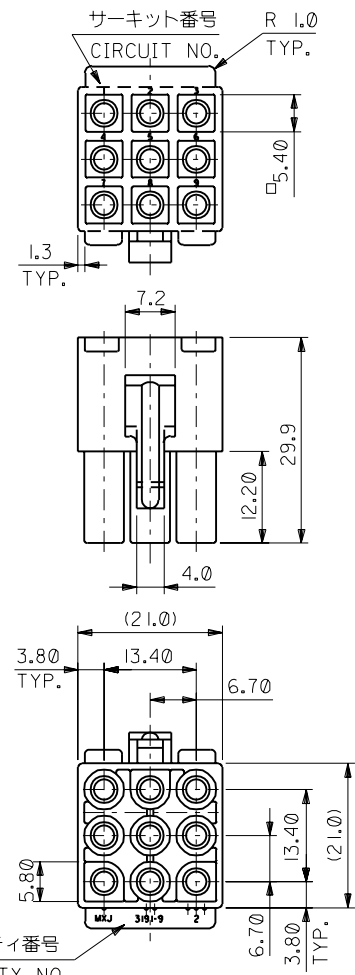


DWG. NO. SD-3191-09R1-*



注)
NOTE.
1. () 内寸法は参考
(DIMENSIONS IN () ARE REFERENCE)

トレードマーク 製品番号 キャビティ番号
TRADE MARK , ENG.NO. , CAVITY NO.

3191-09R1-201	39-03-6095	ナイロン66 NYLON66	94V-0
3191-09R1	39-03-6094	ナイロン66 NYLON66	94V-2
ENG.NO.	EDP.NO.	材料 MATERIAL NO.	

DO NOT SCALE DRAWING

④ DRWN: K.KOHAMA CHK: T.YAMAGUCHI APPR: M.FUKUSHIMA	③ DRWN: K.KOHAMA CHK: T.YAMAGUCHI APPR: M.FUKUSHIMA	② DRWN: K.KOHAMA CHK: T.YAMAGUCHI APPR: M.FUKUSHIMA	① DRWN: K.KOHAMA CHK: T.YAMAGUCHI APPR: M.FUKUSHIMA
REDRAWN ④ ③ ② ①			
表参照 SEE TABLE			
WIRE RANGE 適用範囲線番 適用範囲線番			
INS. RANGE 被覆外径			

GENERAL TOLERANCES: (UNLESS SPECIFIED) 一般公差		SCALE 1:1		DESIGN UNITS <input checked="" type="checkbox"/> mm <input type="checkbox"/> INCH		DIMENSIONS: <input type="checkbox"/> mm <input type="checkbox"/> INCH <input checked="" type="checkbox"/> mm ONLY		SHT REV	
10 UNDER 未満	±0.25 ±0.25	DRAWN BY & DATE K.KOHAMA '00/ 3/28		TITLE: 9 CKT. REC. HS'G (.093 DIA. TERM.)					
10 OVER 以上	±0.3 ±0.25	CHECKED BY & DATE T.YAMAGUCHI '00/ 3/31		APPROVED BY & DATE M.FUKUSHIMA '00/ 3/31					
30 OVER 以上	±0.35 ±0.3	ANGLE 角度		+3°		CAD FILENAME S319109.S10		MATERIAL NO. 3191-09R1-*	
				DRAWING NO. SD-3191-09R1-*		SHEET NO. I		SIZE B	
THIS DRAWING CONTAINS INFORMATION THAT IS PROPRIETARY TO MOLEX INCORPORATED AND SHOULD NOT BE USED WITHOUT WRITTEN PERMISSION.									