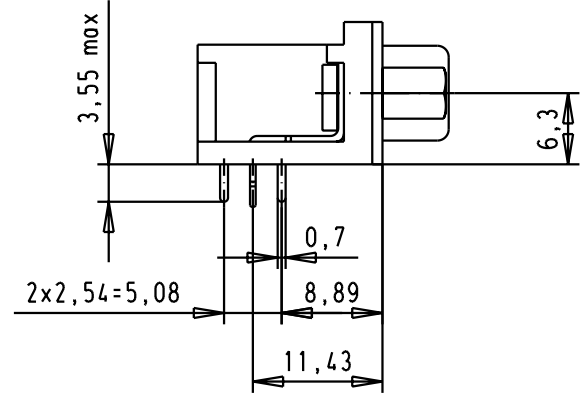
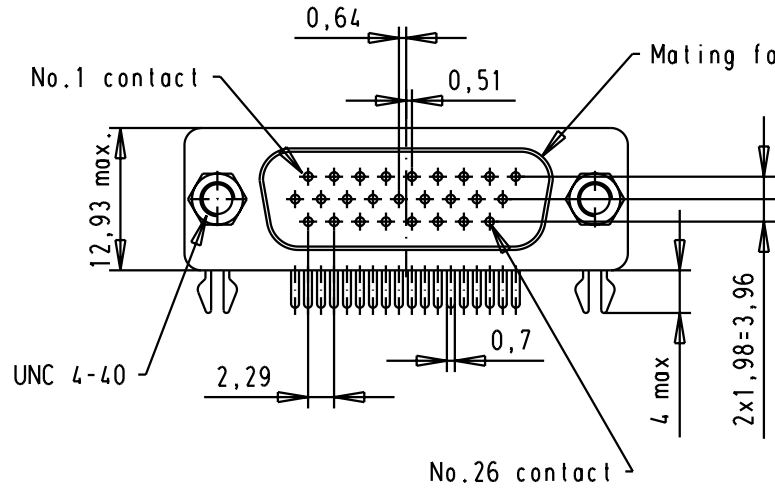
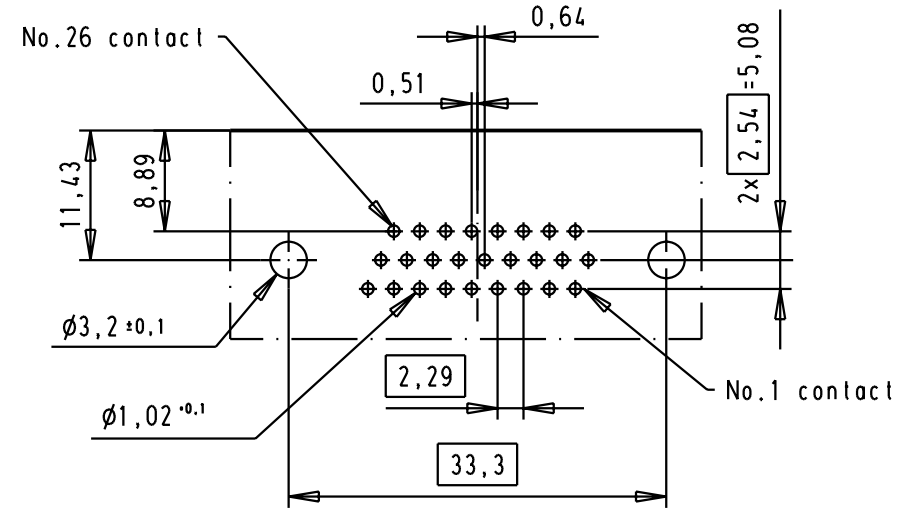
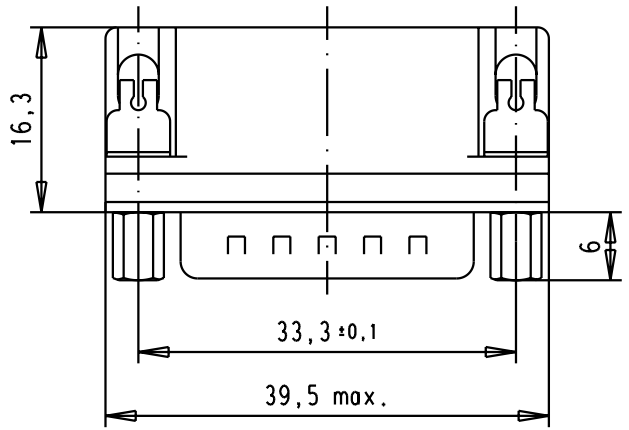


5 4 3 2 1



Printed board layout, component side



D
C
B
A

					Dat. Name Detail. 16-SEP-02 CV		All Dim. in mm Orig. Size DIN A 4	D-Sub, Male, High density, 26 poles, angled, with screw lock and board lock	Maßstab Scale 1.5:	
					Insp. Stand.					
					31485 16-04-03 S.H.					
09562625813	0.76 µm Au	31352		16-OCT-02	S.H.	HARTING EUROL F-95972 Paris			TB 0956262x813	Blatt/ 1 /
09562627813	3	31064		16-SEP-02	CV					
Part number	Performance level	Mod.	Dat.	Name		Sub.				