



FAN SPEED CONTROL MODULE

VAC2-2E-RFI

X10522

INTRODUCTION

The compact VAC control module is designed for control of fan speed in a wide range of heating and ventilation applications. Installation is simplified, with just two connections for in-line wiring to the mains supply.

The fan speed is set by an integral adjustable cermet. An internal RC snubber network makes the unit ideal for inductive fan loads up to 2 Amps

APPLICATIONS

Most mains AC fans and other inductive loads.

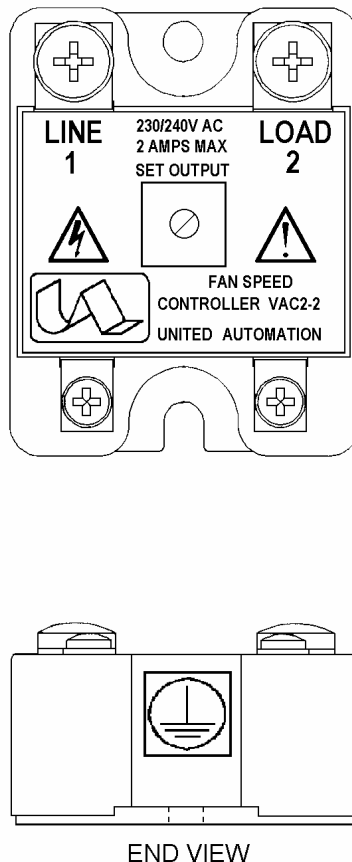
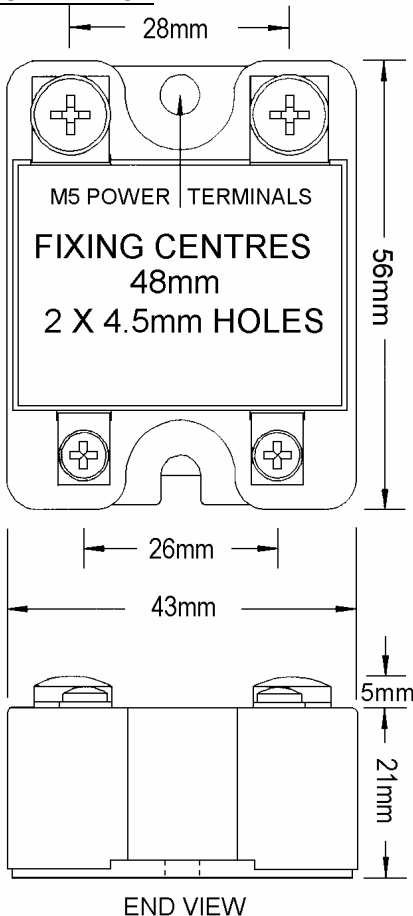
**RoHS Compliant
Directive
2002/95/EC**

FEATURES

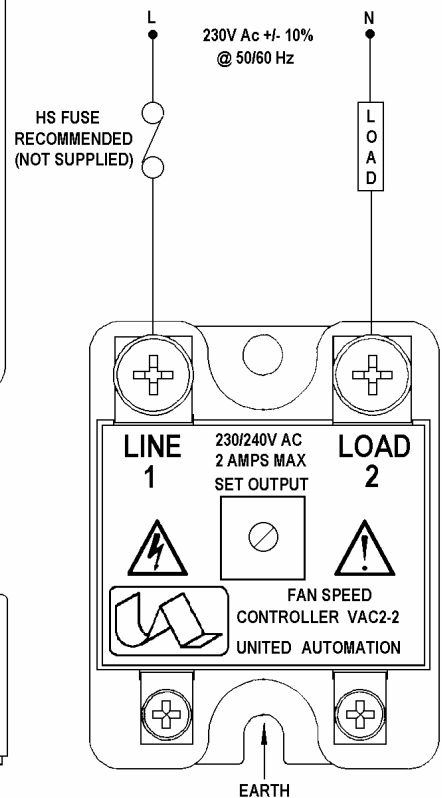
- Compact
- Solid state reliability
- Adjustable speed Output
- Simple wiring required
- Internal RFI Filter



INSTALLATION



NOTE: SWITCH OFF SUPPLY BEFORE COMMENCING ANY
SERVICING WORK
THIS UNIT MUST BE EARTHED



SPECIFICATIONS

AC line voltage	230V +/- 10% @ 50/60 Hz
Unit limiting RMS current	2A
Max peak voltage	600V ac
Peak one cycle surge (10ms)	10A
Minimum operating current	200mA
Isolation voltage	2KV
Leakage current	10mA
Max. operating temperature	65°C

FUSING

It is recommended to use semiconductor fast acting type fuses or circuit breakers (Semiconductor-MCB) for unit/device protection. On initial 'switch on' some loads may need an increased Factor of Safety (F of S) for unit and/or device protection. (See SRA Datasheet for further information).

CE MARKING

This product family carries a "CE marking". For information see recommendation section and contact our sales desk. (See Declaration of Conformity).

RECOMMENDATIONS

Other documents available on request, which may be appropriate for your application:-

CODE	IDENTITY	DESCRIPTION
X10229	RFI	Single Phase Filtering recommendations - addressing EMC Directive
X10213	ITA	Interaction, uses for phase angle and for burst fire control.
X10255	SRA (LVD)	Safety requirements - addressing the Low Voltage Directive including :- Thermal data/cooling ; "Live" parts warning & Earth requirements; Fusing recommendations.
AP02/4	COS	UAL Conditions of sale.

NOTE It is recommended that installation and maintenance of this equipment should be done with reference to the current edition of the I.E.E. wiring regulations (BS7671) by suitably qualified/trained personnel. The regulations contain important requirements regarding safety of electrical equipment (For) International Standards refer to I.E.C/ directive IEC 950).

ORDER CODE: State part number: VAC2-2E- RFI 2A, 230v



UNITED AUTOMATION LIMITED

1Southport Business Park
Kew
Southport, PR8 4HQ
ENGLAND

Tel: 0044 (0) 1704 – 516500 Main
Tel: 0044 (0) 1704 – 516516 Sales
Fax: 0044 (0) 1704 – 516501
Enquiry@united-automation.com



This document was created with Win2PDF available at <http://www.daneprairie.com>.
The unregistered version of Win2PDF is for evaluation or non-commercial use only.