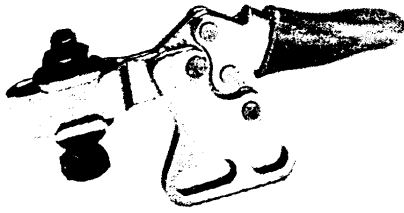
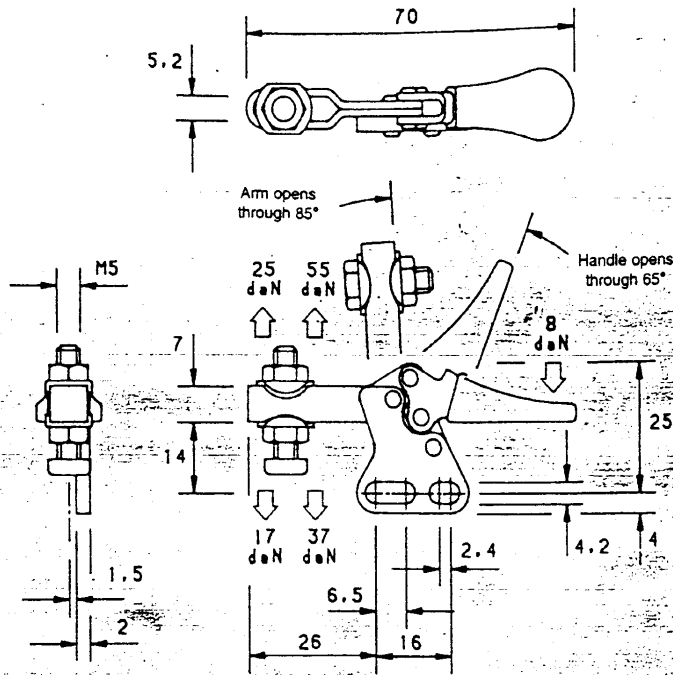


H50 SERIES HORIZONTAL CLAMPS

MODEL H50/1B



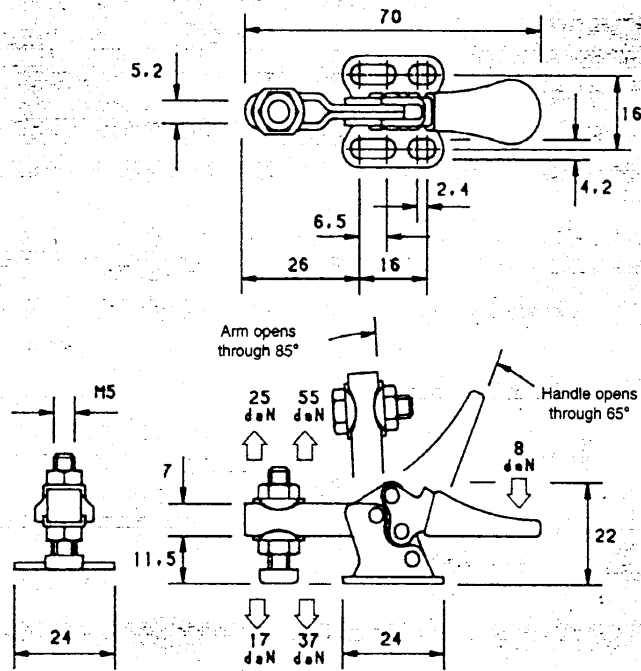
Arm: The spindle position is adjustable along the arm.
Base: Straight.
Nominal Holding Force: 50 daN
Weight: 0.033 Kg
Supplied complete with: MB0520
Setscrew & nuts.
FW05/09 Flanged washers.
See "Accessories" for other items.



MODEL H50/2B 7147636



Arm: The spindle position is adjustable along the arm.
Base: Flanged.
Nominal Holding Force: 50 daN
Weight: 0.036 Kg
Supplied complete with: MB0520
Setscrew & nuts.
FW05/09 Flanged washers.
See "Accessories" for other items.



MODEL H50/2C



Arm: The spindle is in a fixed position.
Base: Flanged.
Nominal Holding Force: 50 daN
Weight: 0.025 Kg
Supplied complete with: MB0520
Setscrew & nuts.
See "Accessories" for other items.

