

RASTER
 DRAWN JAK 17 JUN 94
 CHECK JAF 11 JUL 94
 REV: SIONS
 A 201476
 G J W
 9 OCT 00
 B 203742
 C S L
 17 AUG 01
 ISSUE 3
 M
 AML27 SERIES CHART 1
 PAGE 1 OF 1
 CATALOG LISTING
 RELEASE NO CO-78498
 REPLACES AML 27 SERIES

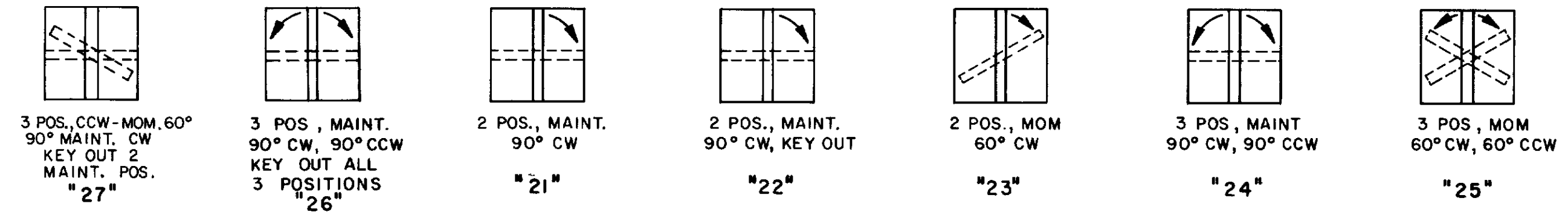
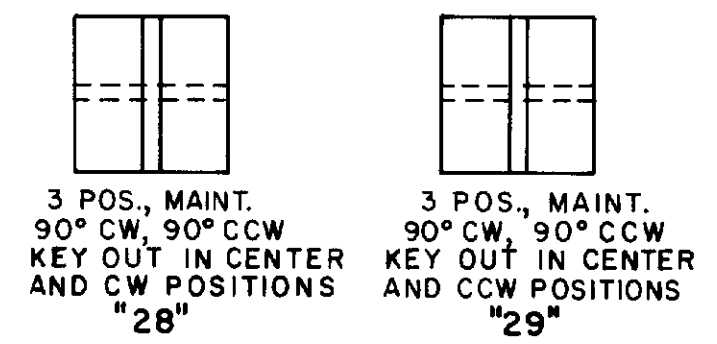
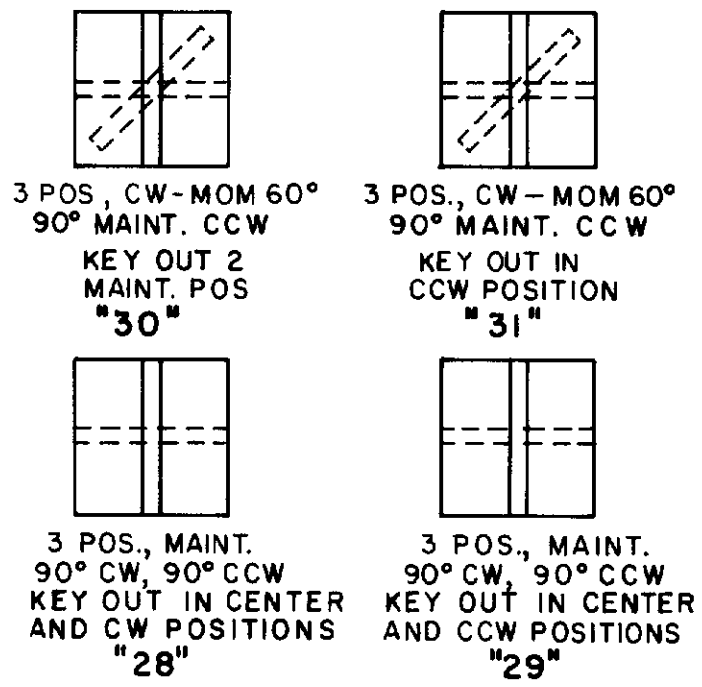
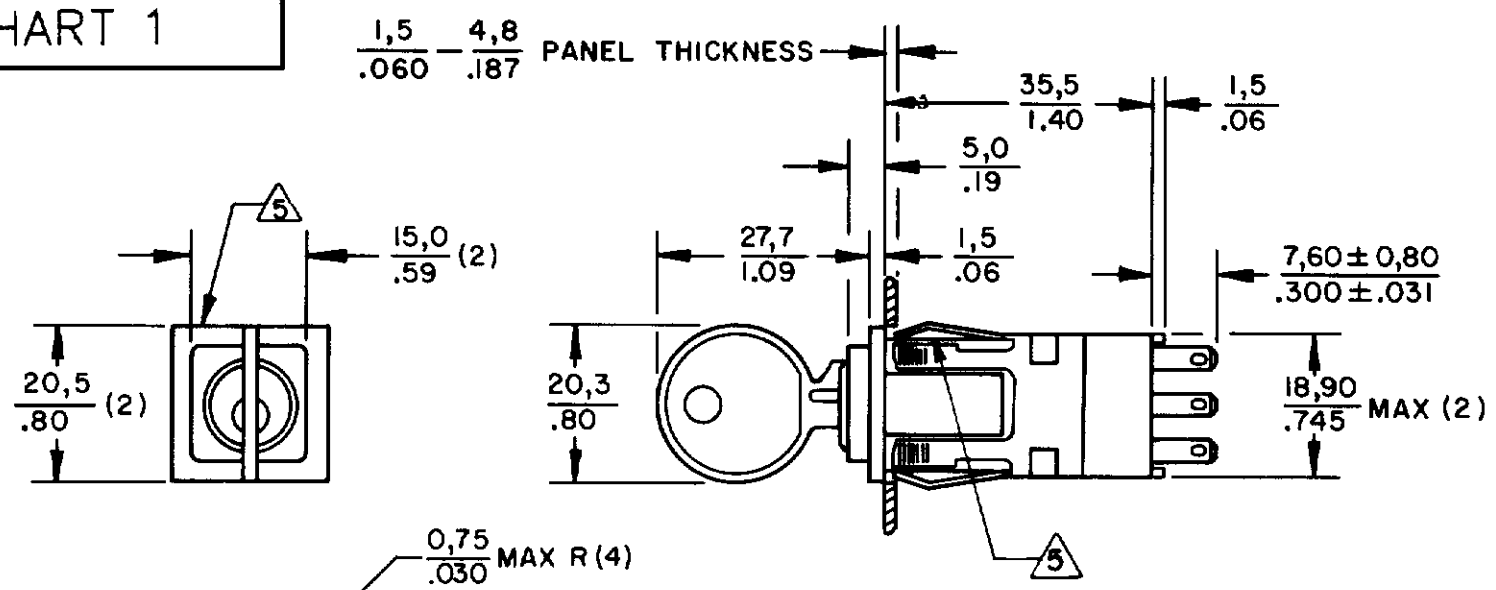
MICRO SWITCH
 FREEPORT ILLINOIS U S A
 A DIVISION OF HONEYWELL
 FED MFG CODE 91929

**AML
 KEYLOCK**

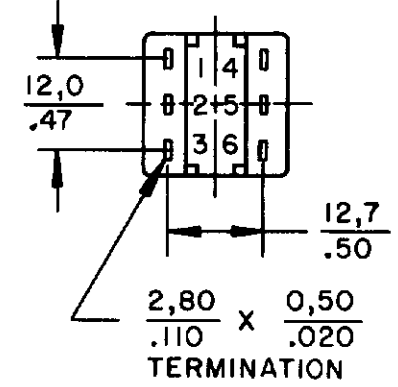
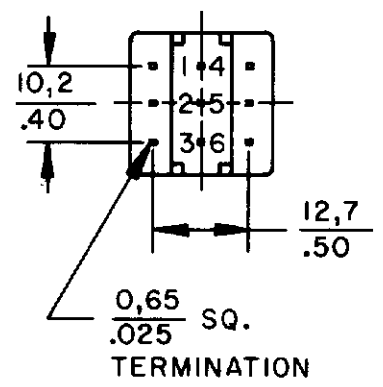
CATALOG LISTING
AML27 SERIES
 CHART 1

THIS DRAWING COVERS A PROPRIETARY ITEM AND IS THE PROPERTY OF MICRO SWITCH A DIVISION OF HONEYWELL THIS DRAWING IS NOT TO BE COPIED OR USED WITHOUT THE APPROVAL OF MICRO SWITCH

- NOTES**
- 1 - NOT ALL KEY COMBINATION CODES ARE AVAILABLE
 - 2 - SILVER AND GOLD CONTACT OPTIONS
 - 3 - ONE POLE & TWO POLE OPTION
 - 4 - ONE POLE CIRCUITRY NOT FURNISHED WITH 3 POSITION UNITS
- ⚠ E.S.D. CONDUCTOR LOCATION



PANEL CUTOUT



OPERATING ACTION

| TWO POSITION UNITS | | | |
|----------------------|--|--|--|
| | RELEASED POSITION | OPERATED POSITION | |
| 1 POLE | CIR 1-2 OPEN CIR 2-3 CLOSED | CIR 1-2 CLOSED CIR 2-3 OPEN | |
| 2 POLE | CIR 1-2, 4-5 OPEN CIR 2-3, 5-6 CLOSED | CIR 1-2, 4-5 CLOSED CIR 2-3, 5-6 OPEN | |
| THREE POSITION UNITS | | | |
| | CCW | CENTER | CW |
| 2 POLE | CIR 1-2, 5-6 OPEN CIR 2-3, 4-5 CLOSED | CIR 1-2, 4-5 OPEN CIR 2-3, 5-6 CLOSED | CIR 1-2, 4-5 CLOSED CIR 2-3, 5-6 OPEN |

THIRD ANGLE PROJECTION

SCALE

DO NOT SCALE PRINT

TOLERANCES
 APPLY TO DESIGN UNITS. CONVERSIONS ARE ONLY FOR REFERENCE UNLESS NOTED. TOLERANCES ARE ±

| | DM | TOL | DM | TOL |
|--------------|-------|------------|-------|-------------|
| | mm | mm/in | in | mm/in |
| NO PLACES | X | 1/64 | X | 0.015 |
| ONE PLACE | X.X | 0.4/0.016 | X.X | 0.016/0.015 |
| TWO PLACES | X.XX | 0.16/0.008 | X.XX | 0.008/0.015 |
| THREE PLACES | X.XXX | | X.XXX | 0.015/0.005 |

DESIGN UNITS: SI METRIC US CUSTOMARY

RAW MATERIAL—COMMERCIAL STANDARD
 MICRO SWITCH STANDARDS APPLY
 DIMENSIONS ARE TO BE MET BEFORE
 PROTECTIVE COATINGS ARE APPLIED

WEIGHT