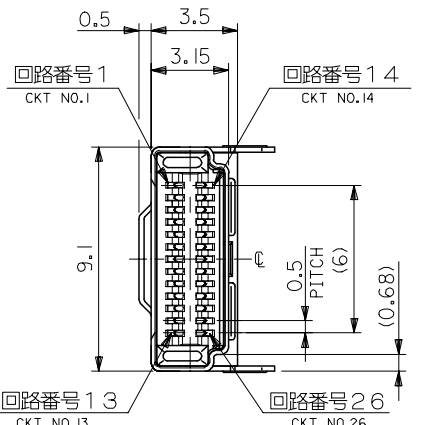
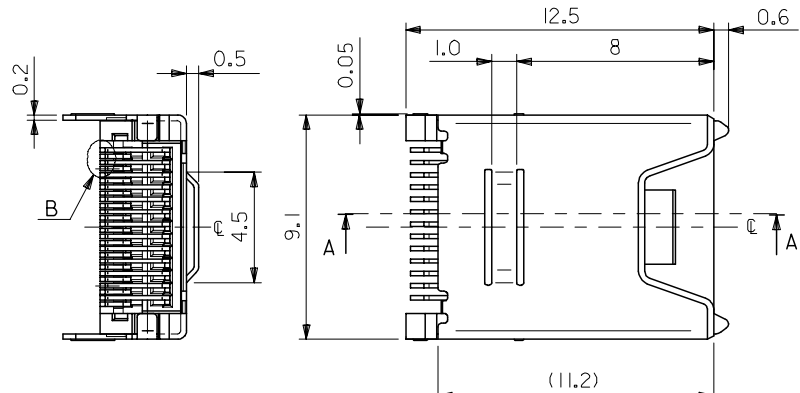
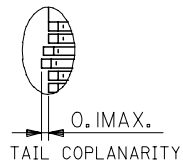


10 9 8 7 6 5 4 3 2 1

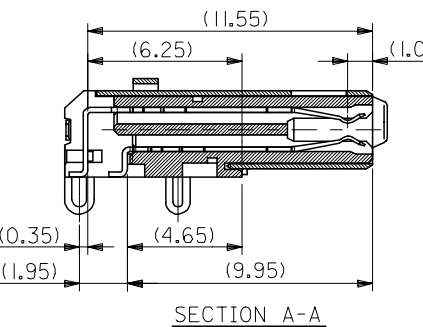
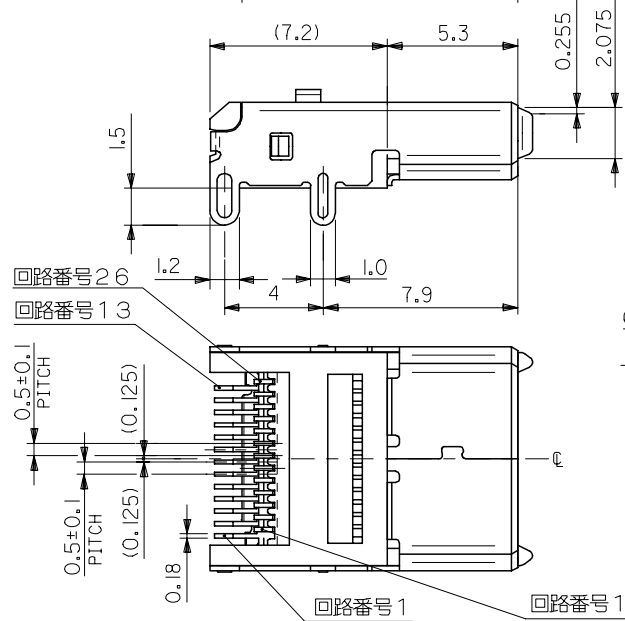


NOTE:

1. 適合プラグ番号: 500835-2611
APPLICABLE PLUG NO.: 500835-2611
2. 材質
MATERIAL
 - 2-1. ハウジング: ガラス入り耐熱樹脂
94V-0, 黒色
HOUSING: G.F. HEAT RESISTANT PLASTIC
94V-0, BLACK COLOR
 - 2-2. ターミナル: 銅合金
TERMINAL COPPER ALLOY
 - 2-3. リセ シールド: ステンレス鋼
REC. SHIELD STAINLESS STEEL
3. メッキ仕様
PLATING
 - 3-1. ターミナル
TERMINAL
 - 3-1-1. 接点部 : 金メッキ 0.1umMIN.
CONTACT AREA GOLD
 - : パラジウムニッケルメッキ 0.2umMIN.
 PALLADIUM-NICKEL
 - 3-1-2. 半田付け部: 錫メッキ 1.0um MIN.
SOLDER TAIL AREA: TIN
 - 3-1-3. 下地メッキ: ニッケルメッキ 1.5 ~ 3um
UNDER-PLATING: NICKEL
 - 3-2. リセ シールド
REC. SHIELD
 - 3-2-1. 表面処理: 金コート処理
SURFACE TREATMENT: GOLD COATING TREATMENT.
 - 3-2-2. 下地メッキ: ニッケルメッキ 1.0 ~ 2um
UNDER-PLATING: NICKEL
4. 本製品は 500825-2601 の鉛フリー品である。
THIS PRODUCT IS LEAD FREE OF 500825-2601.



DETAIL B
SCALE 10:1

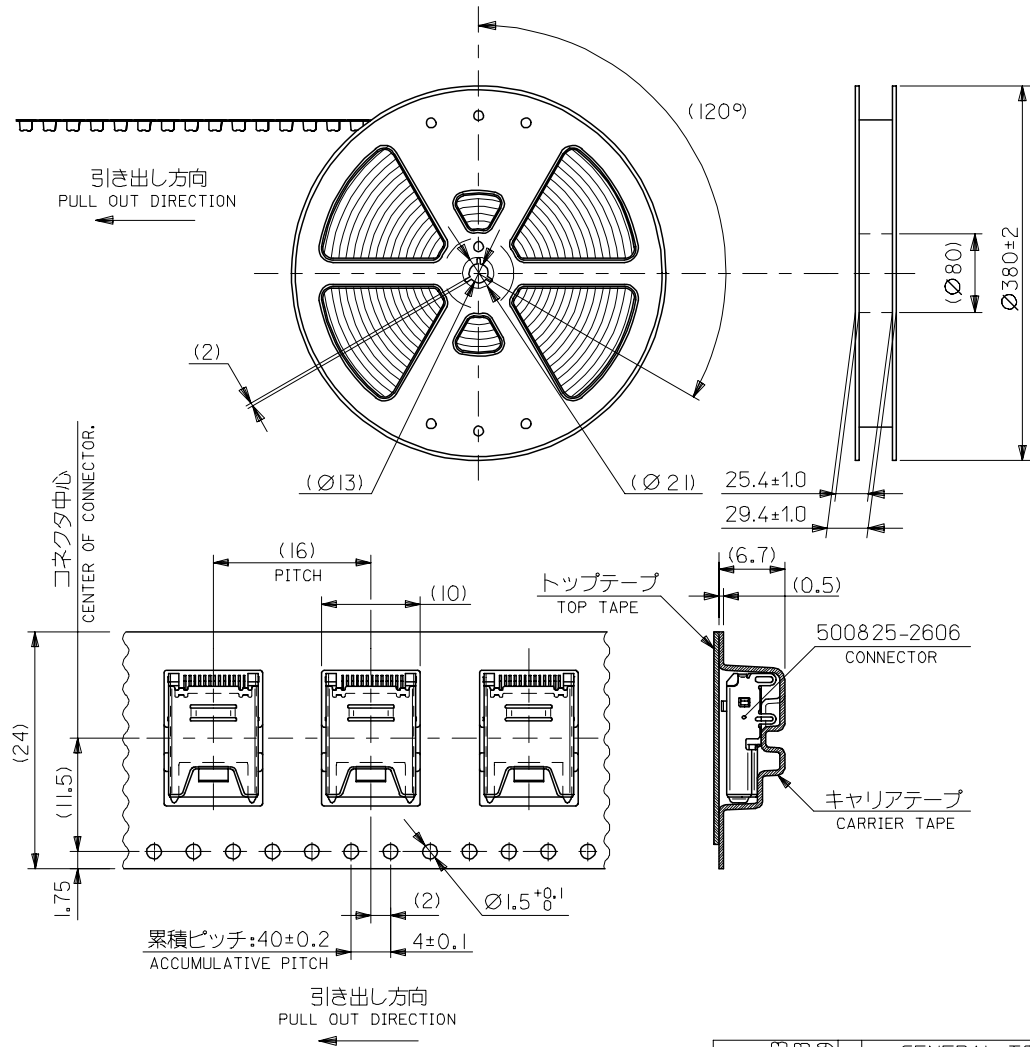


500825-2606	500825-260*
MATERIAL NO.	MODEL NO.

RELEASED EC NO: J2005-0575 DRAWN: MNABE 2004/09/03 CHKD: KTOJO 2004/09/03 APPR: NUKITA 2004/09/09 REV: 0	GENERAL TOLERANCES (UNLESS SPECIFIED)		DIMENSION STYLE MM ONLY		SCALE 5:1	DESIGN UNITS METRIC	THIRD ANGLE PROJECTION
	10 UNDER	±0.2	DRAWN BY MNABE1	DATE '04/08/23	TITLE 0.5 I/O CONN REC HSG ASSY 26CKT -LEAD FREE-		
	10 OVER 30 UNDER	±0.25	CHECKED BY KTOJO	DATE '04/08/23			
	30 OVER	±0.3	APPROVED BY NUKITA	DATE '04/08/23	MOLEX INCORPORATED		
	ANGULAR	±3 °	MATERIAL NO.	DOCUMENT NO. SD-500825-003			
DRAFT WHERE APPLICABLE MUST REMAIN WITHIN DIMENSIONS		SEE CHART		THIS DRAWING CONTAINS INFORMATION THAT IS PROPRIETARY TO MOLEX INCORPORATED AND SHOULD NOT BE USED WITHOUT WRITTEN PERMISSION			

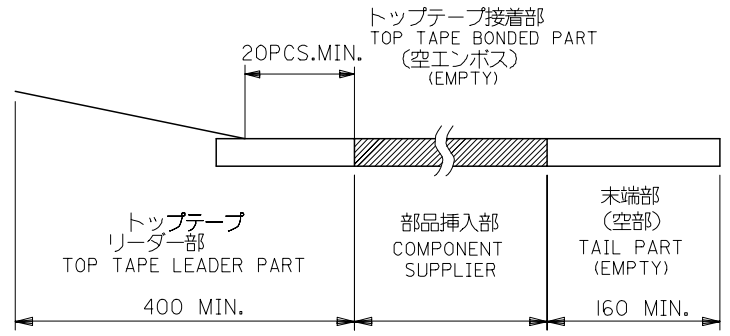
10 9 8 7 6 5 4 3 2 1

F
E
D
C
B
A

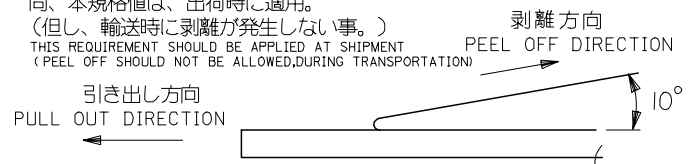


注記
NOTES

- 製品番号500825-2606の詳細寸法については、SD-500825-003 参照。
IN THE PACKAGE, PART NO. 500825-2606 RE DETAILED DIMENSIONS, SEE SD-500825-003
- 梱包数量：800個/リール
NUMBER OF CONNECTORS：800 PCS/REEL
- リードテープ長さ
LEAD TAPE LENGTH



- トップテープの剥離強度：(剥離方向は下図参照)
PEELING OFF FORCE OF TOP TAPE (PEELING DIRECTION AS SHOWN IN FOLLOWING FIG.)
0.1-1.3N (10-130gf)
尚、本規格値は、出荷時に適用。
(但し、輸送時に剥離が発生しない事。)
THIS REQUIREMENT SHOULD BE APPLIED AT SHIPMENT
(PEEL OFF SHOULD NOT BE ALLOWED, DURING TRANSPORTATION)



- 材料
MATERIAL
キャリアテープ：ポリプロピレン (PP)
CARRIER TAPE：POLYPROPYLENE (PP)
トップテープ：PET, PE, PEF
TOP TAPE：PET, PE, PEF
リール：ポリスチレン
REEL：POLYSTYLENE

- 本製品は 500825-2601 の鉛フリー品である。
THIS PRODUCT IS LEAD FREE OF 500825-2601.

26	500825-2606	500825-2670
CKT.	CONNECTOR	MATERIAL NO.

RELEASED EC NO: J2005-0575 DRAWN: MNABE1 2004/09/03 CHKD: KTOJO 2004/09/03 APPR: NUKITA 2004/09/09 REV: 0	GENERAL TOLERANCES (UNLESS SPECIFIED)		DIMENSION STYLE MM ONLY		SCALE ---	DESIGN UNITS METRIC	THIRD ANGLE PROJECTION	
	10 UNDER	±0.2	DRAWN BY MNABE1	DATE '04/08/27	TITLE EMBOSSD TAPE PACKAGE FOR 500825-2606 -LEAD FREE-			
	10 OVER 30 UNDER	±0.25	CHECKED BY KTOJO	DATE '04/08/27				
	30 OVER	±0.3	APPROVED BY NUKITA	DATE '04/08/27	MOLEX INCORPORATED			
	ANGULAR	±3 °	MATERIAL NO.	DOCUMENT NO. SD-500825-004				
DRAFT WHERE APPLICABLE MUST REMAIN WITHIN DIMENSIONS		SIZE A3		THIS DRAWING CONTAINS INFORMATION THAT IS PROPRIETARY TO MOLEX INCORPORATED AND SHOULD NOT BE USED WITHOUT WRITTEN PERMISSION				