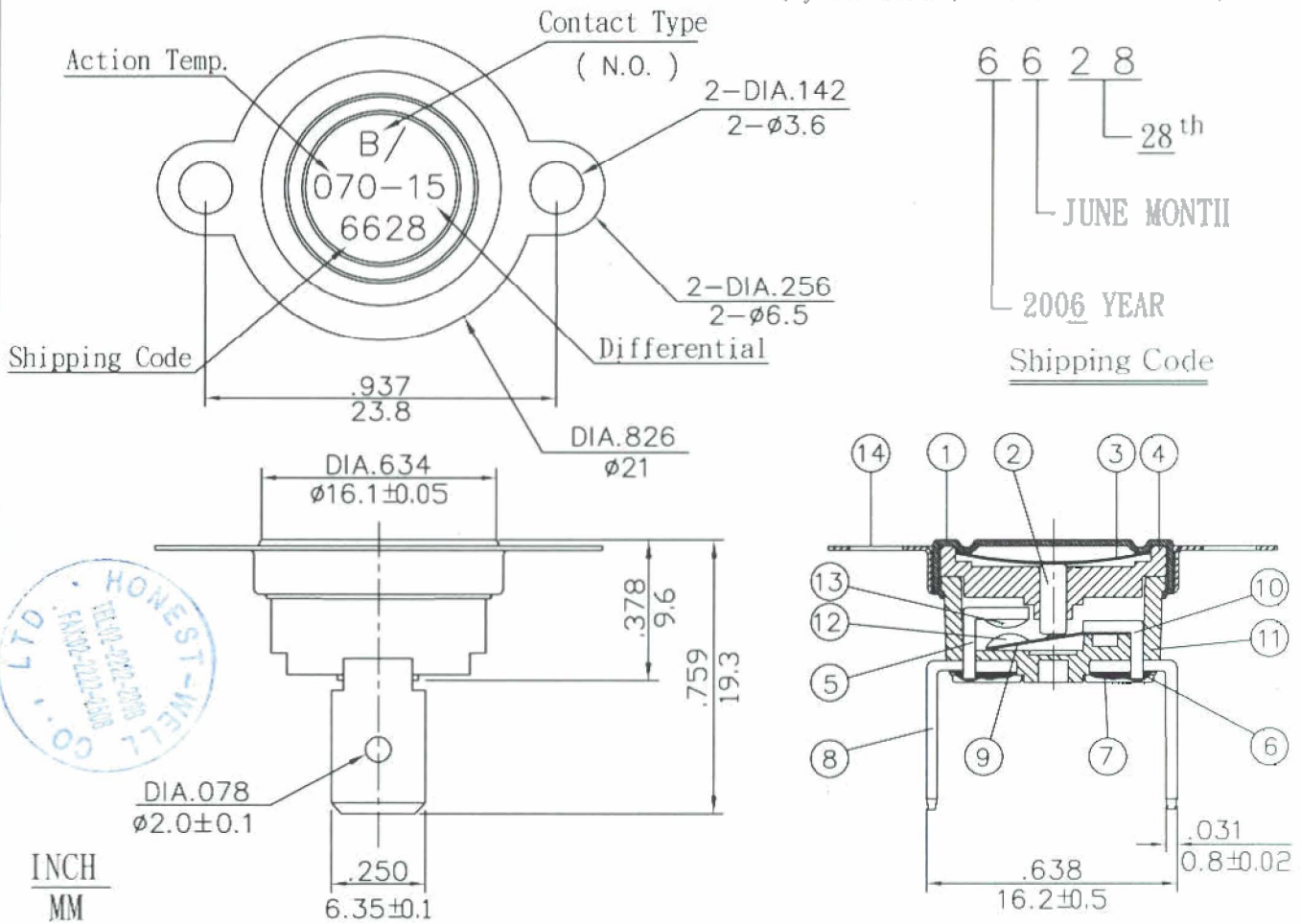


	PARTS NAME	MATERIAL	UL FLAME GRADE
1	Sensing cap	Aluminum	
2	Actuating pin	Ceramic	
3	Bimetal disc	Bimetal	
4	Retainer	PPS	
5	Stationary arm	Brass tin plated	
6	Solder	Tin	
7	Glue	Epoxy	
8	Terminal	Brass tin plated	
9	Movable arm	Beryllium copper	
10	Terminal-J	Brass tin plated	
11	Case	PPS	
12	Contact-R	Silver alloy	
13	Contact-F	Silver alloy	
14	Bracket	Steel Nickel plated	

SPECIFICATIONS

- * CONTACT TYPE : Normally Open
- * ACTION TEMP : 70°C ± 3K
- * RESET TEMP : 55°C ± 4K
- * TERMINAL SIZE : Amp #250 TAB
- * CIRCUIT RESISTANCE : 50mΩ MAX.
- * INSULATION RESISTANCE : 100MΩ min. at DC 500V
- * DIELECTRIC STRENGTH : AC 1000V For One Minute
Or AC 1800V For One Sec
- * APPROVALS: VDE UL CUL
- * ELECTRICAL RATING & OPERATING LIFE :
 VDE - 15A 240VAC 100,000 Cycles (Resistive Load)
 16A 250VAC 10,000 Cycles (Resistive Load)
 Licence No. 127475
 (By Standard Differential:10k-15k)
- UL CUL - 15A 120VAC 100,000 Cycles (Resistive Load)
 Licence No. E192925
 (By Standard Differential:10k-15k)



INCH
MM

SCALE 2:1 (mm)

The size remains unchanged, but other technical modification will be made without notice.

④				TITLE	3B-SR2
③				FULL CODE	T23B070ASR2-15
②				MATERIAL NO.	1006853
①				CUSTOMER	PREMIER
REV	DESCRIPTION	DFTG.	DATE	DRAWING NO.	782030
DFTG	FALCO	CHKD 陳素霞	SALES 洪菁霞	MFG. 洪美萍	APRVL 廖火亮