

MEGAFAN

THE NEW FAN GENERATION

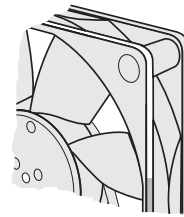


- DC fans with electronically commutated external rotor motors. Fully integrated commutation electronics.
- With electronic protection against reverse polarity, blocking and overloading by PTC-resistor; partially impedance protected.
- Fan of fibreglass reinforced plastic. PBTP housing, PA impeller.
- Air exhaust over struts. Rotational direction CCW looking at rotor.
- Electrical connection via 2 leads AWG 24, TR 64. Stripped and tinned ends
- Mass 175 g.

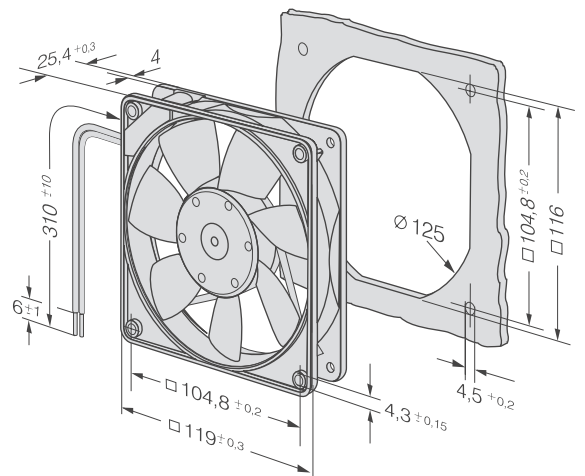
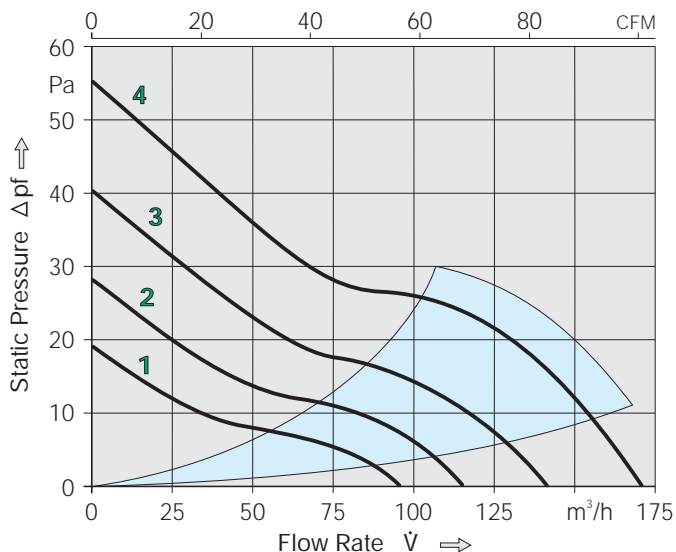
SERIES 4400 F

119x119x25mm

Air flow		Nominal Voltage		Noise		Sintec-Sleeve Bearings	Power Input	Nominal Speed	Temperature Range	Service Life L ₁₀		Curve	Type
m ³ /h	CFM	V DC	V DC	dB(A)	bels	○/●	Watt	min ⁻¹	°C	Hours	Hours		
94	55.3	12	7...14	26	3.9	○	1.25	1600	-20...+75	80000 / 35000		1	4412FGL
114	67.1	12	7...12.6	32	4.3	○	2.0	1950	-20...+75	75000 / 32500		2	4412FGML
140	82.4	12	7...12.6	38	4.8	○	3.2	2400	-20...+75	70000 / 30000		3	4412FGM
140	82.4	12	7...12.6	38	4.8	●	3.2	2400	-20...+75	70000 / 30000		3	4412FM
140	82.4	24	12...28	38	4.8	●	3.2	2400	-20...+75	70000 / 30000		3	4414FM
170	100.1	24	12...28	43	5.3	●	5.0	2900	-20...+75	62500 / 27500		4	4414F
170	100.1	48	43...56	43	5.3	●	6.5	2900	-20...+60	52500 / 30000		4	4418F

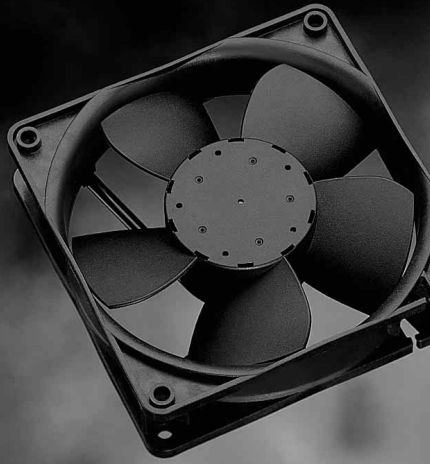


Available on request:
Fan housing with stiffening ribs. For mounting over both flanges.



MEGAFAN

THE NEW FAN GENERATION



- DC fans with electronically commutated external rotor motors. Fully integrated commutation electronics.
- With electronic protection against reverse polarity, blocking and overloading; partially impedance protected.

- Fan of fibreglass reinforced plastic. PBTP housing, PA impeller.
- Air exhaust over struts. Rotational direction CCW looking at rotor.
- Electrical connection via leads AWG 22, TR 64. Stripped and tinned ends
- Mass 240 g.

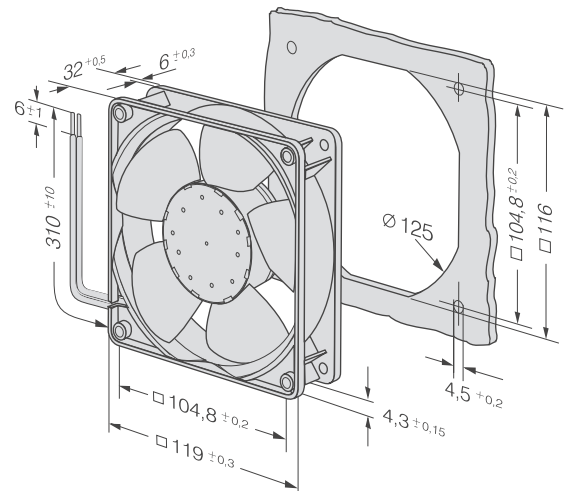
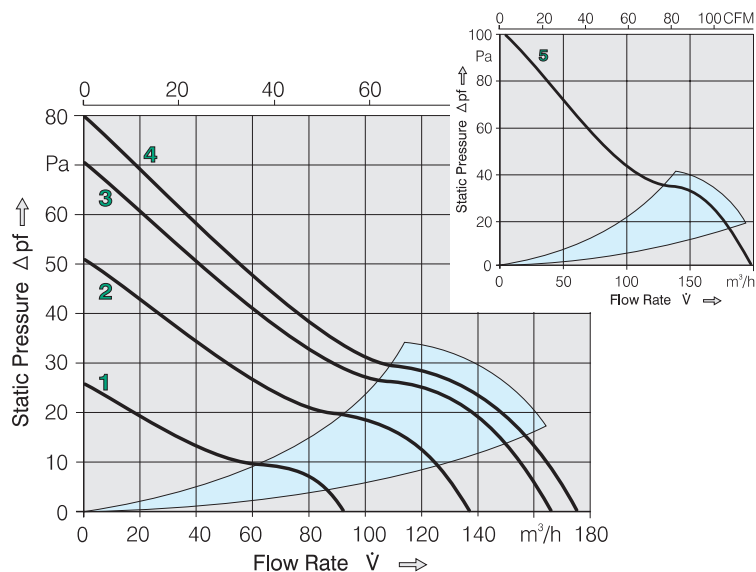
SERIES 4300N

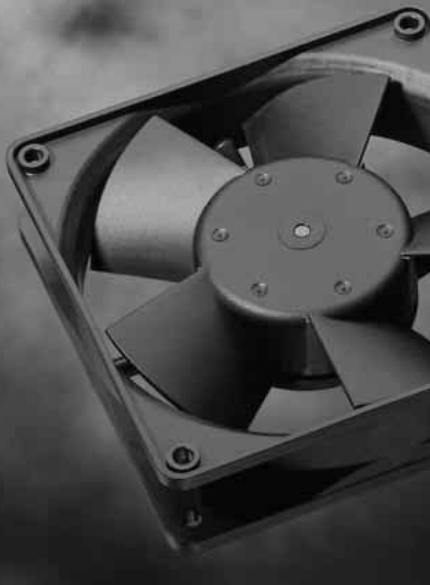
119x119x32 mm

Air flow		Nominal Voltage		Noise	Sinter-Sleeve Bearings Ball Bearings	Power Input	Nominal Speed	Temperature Range	Service Life L ₁₀		Curve	Type
m ³ /h	CFM	V DC	V DC						dB(A)	Watt		
93	54.7	12	7...14.5	28	4.1	1.2	1650	-20...+70	80000 / 40000		1	4312NGL
137	80.6	12	7...14.5	37	5.1	2.6	2450	-20...+70	70000 / 35000		2	4312NGM
166	97.7	12	7...14.5	43	5.6	4.0	3000	-20...+70	60000 / 30000		3	4312NGN
176	103.4	12	7...14.5	45	5.8	4.7	3150	-20...+70	60000 / 30000		4	4312NGH
198	116.5	12	7...14.5	49	6.2	6.5	3600	-20...+70	57500 / 25000		5	4312NGHH
93	54.7	24	12...28	28	4.1	1.2	1650	-20...+70	80000 / 40000		1	4314NGL
137	80.6	24	12...28	37	5.1	2.6	2450	-20...+70	70000 / 35000		2	4314NGM
166	97.7	24	12...28	43	5.6	4.0	3000	-20...+70	60000 / 30000		3	4314NGN
176	103.4	24	12...28	45	5.8	4.7	3150	-20...+70	60000 / 30000		4	4314NGH
198	116.5	24	12...28	49	6.2	6.5	3600	-20...+70	57500 / 25000		5	4314NGHH

Optional:

- Ball bearing versions available shortly





- DC fans with electronically commutated external rotor motors. Fully integrated commutation electronics.
- With electronic protection against reverse polarity, blocking and overloading by PTC-resistor; partially impedance protected.
- Fan of fibreglass reinforced plastic. PBTP housing, PA impeller.
- Air exhaust over struts. Rotational direction CW looking at rotor.
- Electrical connection via leads AWG 22, TR 64. Stripped and tinned ends
- Mass 220 g.

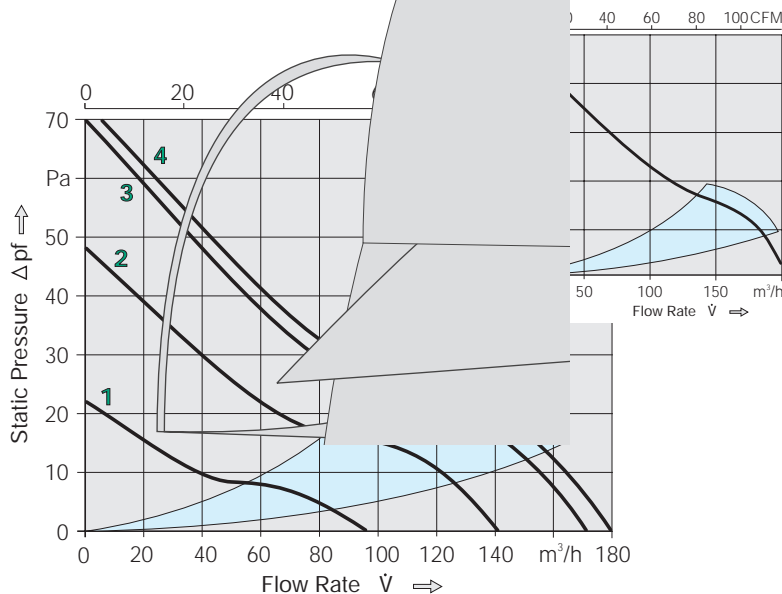
SERIES 4300

119x119x32mm

Air flow		Nominal Voltage		dB(A)	bels	Ball Bearings	Power Input	Nominal Speed	Temperature Range	Service Life L ₁₀ at 40 °C		Curve	Type
m ³ /h	CFM	V DC	V DC							Hours	Hours		
95	55.9	12	6...15	30	4.3	○	1.2	1550	-20...+75	80000 / 35000		1	4312GL
95	55.9	12	6...15	30	4.3	●	1.2	1550	-20...+75	80000 / 35000		1	4312L
140	82.4	12	6...15	39	5.3	○	2.6	2300	-20...+75	70000 / 30000		2	4312GM
140	82.4	12	6...15	39	5.3	●	2.6	2300	-20...+75	70000 / 30000		2	4312M
170	100.1	12	6...15	45	5.8	○	5.0	2800	-20...+75	62500 / 27500		3	4312G
170	100.1	12	6...15	45	5.8	●	5.0	2800	-20...+75	62500 / 27500		3	4312
180	105.9	12	6...15	47	6.1	●	5.8	3000	-20...+75	57500 / 25000		4	4312-143
204	120.1	12	6...13.2	51	6.4	●	8.5	3400	-20...+75	47500 / 20000		5	4312-179

Attention:

In the foreseeable future the 4300 fan series will be removed from the range and replaced by the products of the new series 4300 N.



Rotor protrusion max. 0.4 mm



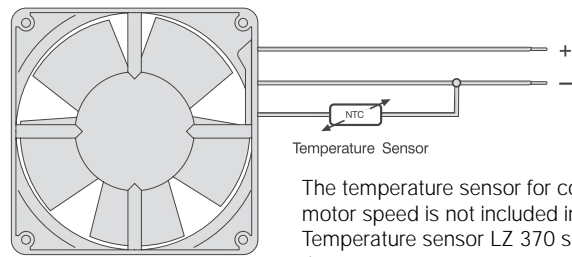
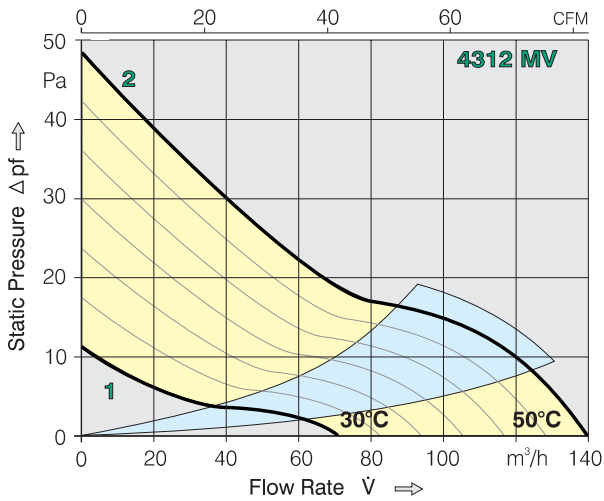


- DC fans with electronically commutated external rotor motors. Fully integrated commutation electronics.
- With electronic protection against reverse polarity, blocking and overloading by PTC-resistor; partially impedance protected.
- Fan of fibreglass reinforced plastic. PBTP housing, PA impeller.
- Air exhaust over struts. Rotational direction CW looking at rotor.
- Electrical connection via 3 leads AWG 22, TR 64. Stripped and tinned ends
- Mass 220 g.

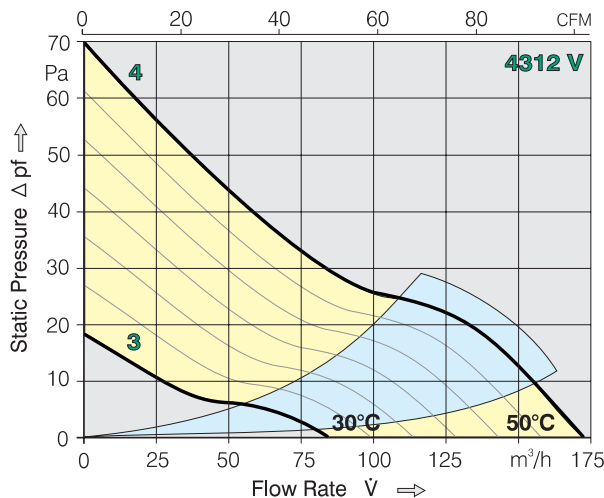
SERIES 4300 VARIOFAN

119x119x32mm

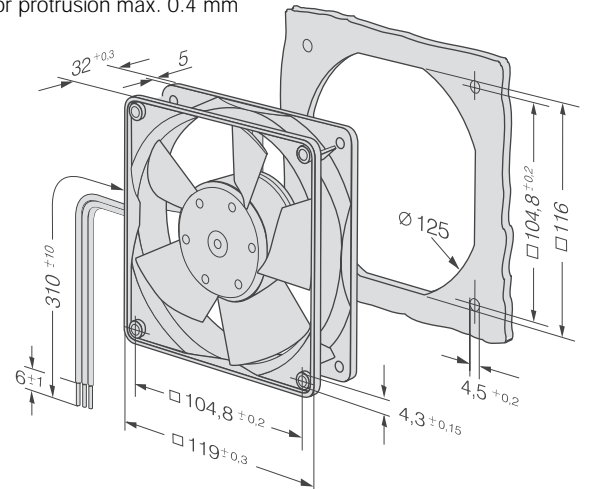
	Air flow		Nominal Voltage		Noise		Sinter-Sleeve Bearings Ball Bearings	Power Input	Nominal Speed	Temperature Range	Service Life L ₁₀ at 40 °C		Curve	Type
	m ³ /h	CFM	V DC	V DC	dB(A)	bels					Hours	Hours		
30-50 °C	70	41.2	12	8...12.6	22	3.7	●	1.4	1 150	-20...+65	70000 / 37500	1	4312MV	
	140	82.4			39	5.3		3.4	2 300					
30-50 °C	85	50.0	12	8...12.6	29	4.2	●	1.8	1 400	-20...+65	65000 / 35000	3	4312V	
	170	100.0			45	5.8		5.4	2 800					4



The temperature sensor for controlling the motor speed is not included in delivery. Temperature sensor LZ 370 see accessories page 76.

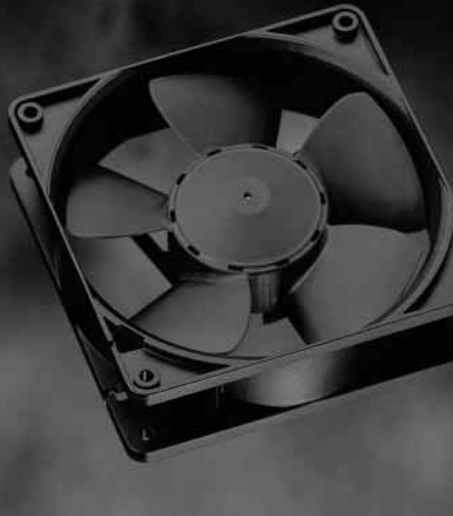


Rotor protrusion max. 0.4 mm



MEGAFAN

THE NEW FAN GENERATION



- DC fans with electronically commutated external rotor motors. Fully integrated commutation electronics.
- With electronic protection against reverse polarity, blocking and overloading; partially impedance protected.

- Fan of fibreglass reinforced plastic. PBTP housing, PA impeller.
- Air exhaust over struts. Rotational direction CCW looking at rotor.
- Electrical connection via 2 leads AWG 22, TR 64. Stripped and tinned ends
- Mass 240 g.

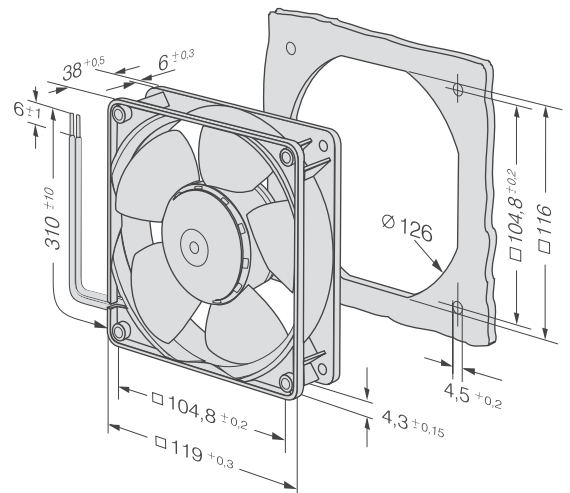
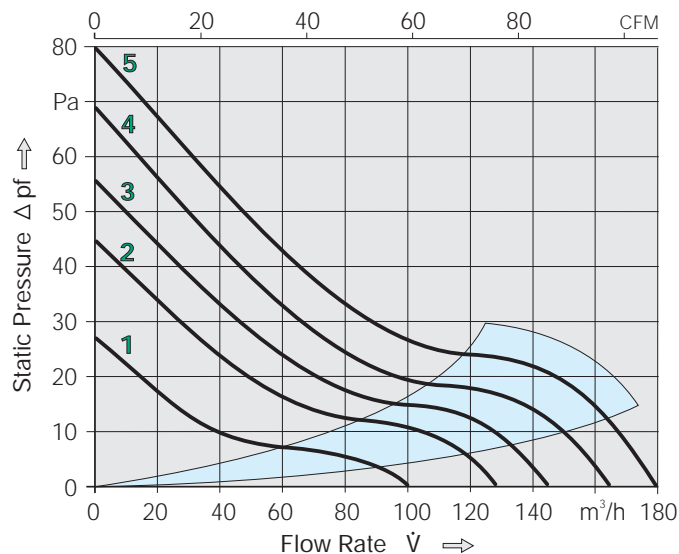
SERIES 4200N

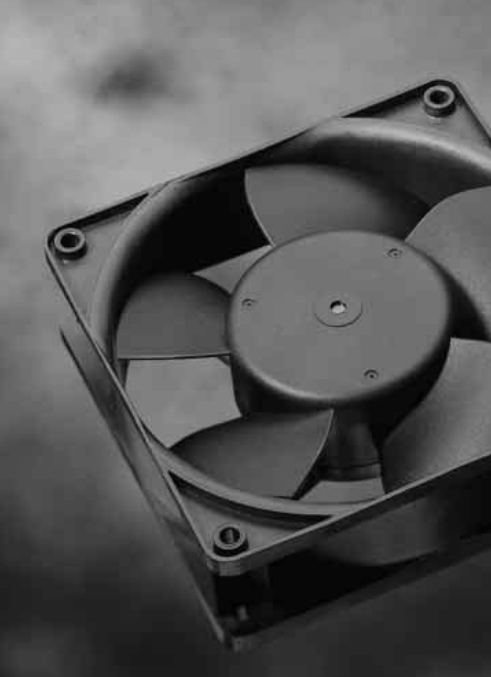
119x119x38mm

Air flow		Nominal Voltage		Noise		Sinter-Sleeve Bearings	Power Input	Nominal Speed	Temperature Range	Service Life L ₁₀ at 40 °C		Curve	Type
m ³ /h	CFM	V DC	V DC	dB(A)	bels	○/●	Watt	min ⁻¹	°C	Hours	Hours		
100	58.9	12	7...14.5	28	4.3	○	1.4	1700	-20...+70	80000 / 40000		1	4212NGL
127	74.8	12	7...14.5	35	4.8	○	2.2	2150	-20...+70	70000 / 35000		2	4212NGML
144	84.8	12	7...14.5	38	5.1	○	3.0	2450	-20...+70	70000 / 35000		3	4212NGM
165	97.1	12	7...14.5	42	5.4	○	4.0	2750	-20...+70	60000 / 30000		4	4212NGN
180	105.9	12	7...14.5	45	5.7	○	5.0	3050	-20...+70	60000 / 30000		5	4212NGH
100	58.9	24	12...28	28	4.3	○	1.4	1700	-20...+70	80000 / 40000		1	4214NGL
127	74.8	24	12...28	35	4.8	○	2.2	2150	-20...+70	70000 / 35000		2	4214NGML
144	84.8	24	12...28	38	5.1	○	3.0	2450	-20...+70	70000 / 35000		3	4214NGM
165	97.1	24	12...28	42	5.4	○	4.0	2750	-20...+70	60000 / 30000		4	4214NGN
180	105.9	24	12...28	45	5.7	○	5.0	3050	-20...+70	60000 / 30000		5	4214NGH
180	105.9	48	36...56	45	5.7	○	5.0	3050	-20...+70	60000 / 30000		5	4218NGH

Optional:

- Ball bearing version available shortly
- Varied speeds with high flow rate





- DC fans with electronically commutated external rotor motors. Fully integrated commutation electronics.
- With electronic protection against reverse polarity, blocking and overloading by PTC-resistor; partially impedance protected.
- Fan of fibreglass reinforced plastic. PBTP housing, PA impeller.
- Air exhaust over struts. Rotational direction CCW looking at rotor.
- Electrical connection via 2 leads AWG 22, TR 64. Stripped and tinned ends
- Mass 290 g.

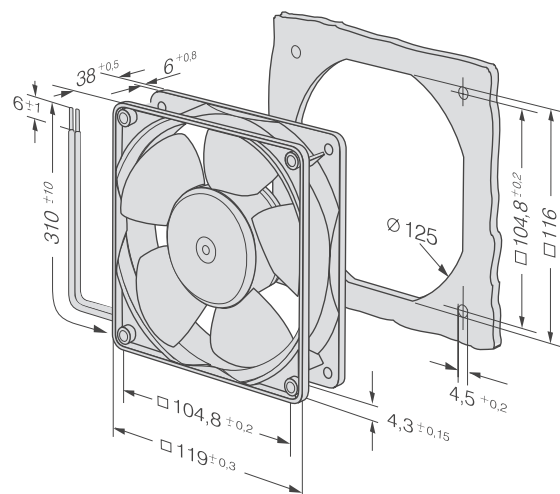
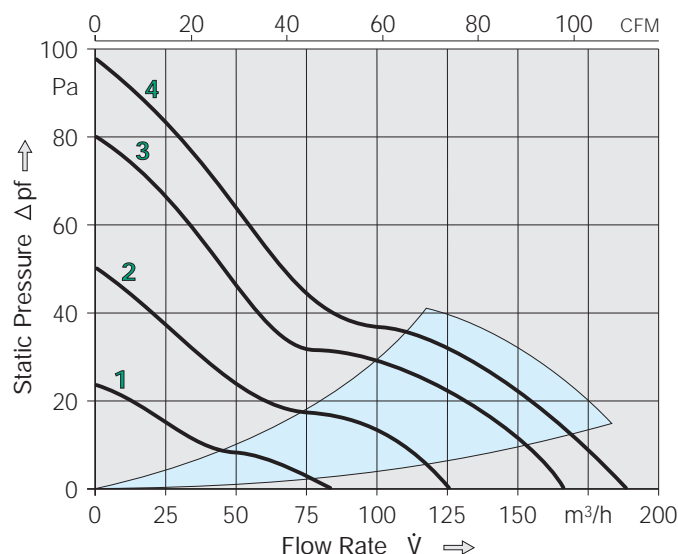
SERIES 4200

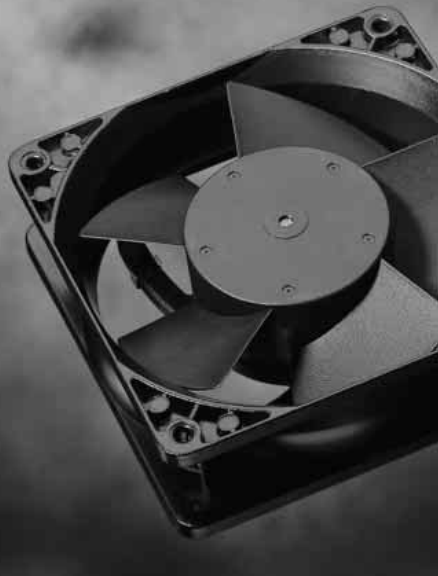
119x119x38mm

Air flow		Nominal Voltage		Noise		Sinter-Sleeve Bearings	Power Input	Nominal Speed	Temperature Range	Service Life L ₁₀ at 40 °C		Curve	Type
m ³ /h	CFM	V DC	V DC	dB(A)	bels	○/●	Watt	min ⁻¹	°C	Hours	Hours		
86	50.6	12	7...14.5	29	4.2	●	1.2	1600	-20...+75	80000 / 35000		1	4212L
127	74.7	12	7...14.5	38	4.9	○	2.2	2350	-20...+75	70000 / 30000		2	4212GM
127	74.7	12	7...14.5	38	4.9	●	2.2	2350	-20...+75	70000 / 30000		2	4212M
165	97.1	12	7...14.5	45	5.6	●	4.3	3050	-20...+75	62500 / 27500		3	4212
184	108.3	12	7...14.5	49	5.9	●	5.3	3400	-20...+65	60000 / 32500		4	4212H
86	50.6	24	12...28	29	4.2	●	1.2	1600	-20...+75	80000 / 35000		1	4214L
165	97.1	24	12...28	45	5.6	○	4.3	3050	-20...+75	62500 / 27500		3	4214G
165	97.1	24	12...28	45	5.6	●	4.3	3050	-20...+75	62500 / 27500		3	4214
184	108.3	24	12...28	49	5.9	○	5.3	3400	-20...+65	60000 / 32500		4	4214GH
184	108.3	24	12...28	49	5.9	●	5.3	3400	-20...+65	60000 / 32500		4	4214H
165	97.1	48	36...56	45	5.6	●	4.3	3050	-20...+75	62500 / 27500		3	4218
184	108.3	48	36...56	49	5.9	●	5.6	3400	-20...+65	60000 / 32500		4	4218H

Attention:

In the foreseeable future the 4200 fan series will be removed from the range and replaced by the products of the new series 4200N.





- DC fans with electronically commutated external rotor motors. Fully integrated commutation electronics.
- With electronic protection against reverse polarity, blocking and overloading by PTC-resistor; partially impedance protected.
- Metal fan housing. Impeller of fibre-glass reinforced plastic PA. Housing with ground lug for screw M4.
- Air intake over struts. Rotational direction CW looking at rotor.
- Electrical connection via 2 flat pins 2,8 x 0,5 mm.
- Mass 390 g.

SERIES 4100

119x119x38mm

Air flow		Nominal Voltage		Noise		Sinter-Sleeve Bearings	Power Input	Nominal Speed	Temperature Range	at f_{max}	Curve	Type
m ³ /h	CFM	V DC	V DC	dB(A)	bels	●	Watt	min ⁻¹	°C	Hours	Hours	
160	94.2	12	7...15	44	5.3	○	3.5	2800	-10...+75	85000 / 37500	1	4182NGX
180	105.9	12	7...15	49	5.7	●	4.5	3200	-30...+75	85000 / 37500	2	4182NX
160	94.2	24	12...30	44	5.3	○	3.5	2800	-10...+75	85000 / 37500	1	4184NGX
180	105.9	24	12...29	49	5.7	●	4.5	3200	-30...+75	85000 / 37500	2	4184NX
237	139.5	24	12...25	59	6.5	●	11	4400	-30...+55	70000 / 50000	3	4184NXH
160	94.2	48	36...56	44	5.3	●	3.5	2800	-30...+75	85000 / 37500	1	4188NXM

48V Type with grounding screw M4x8 (TORX).

