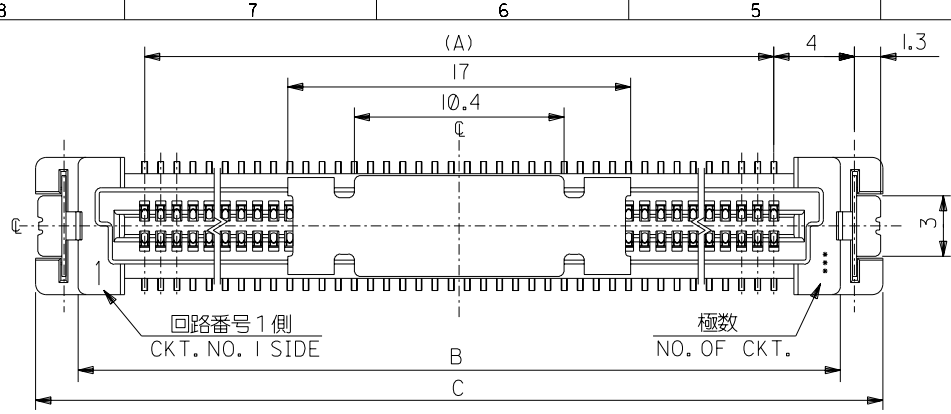
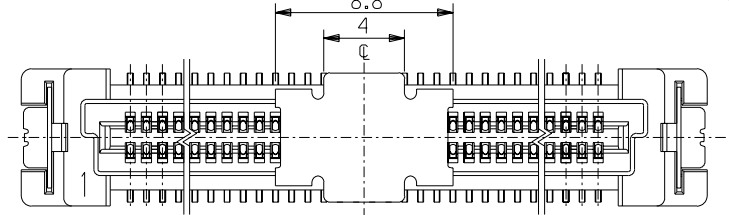
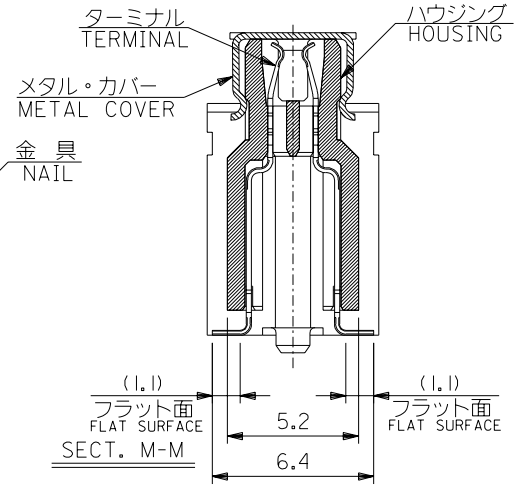
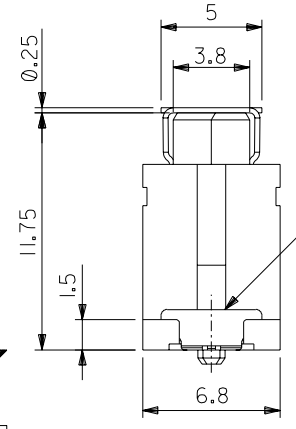
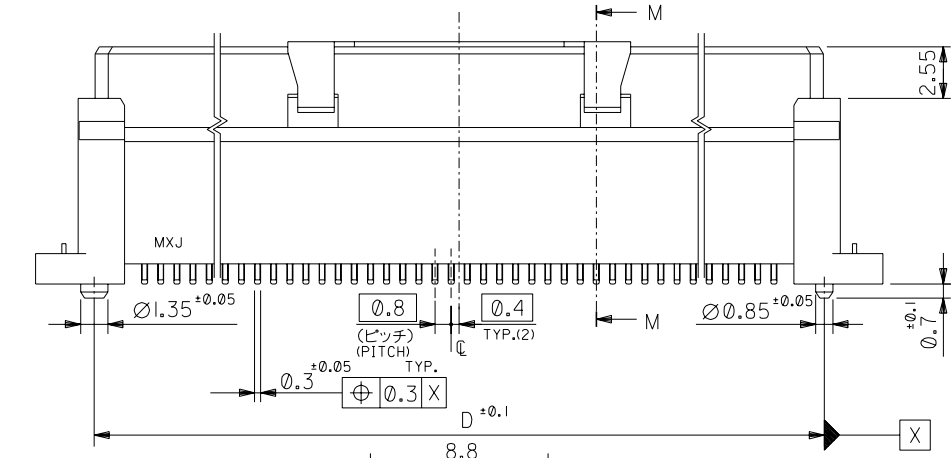
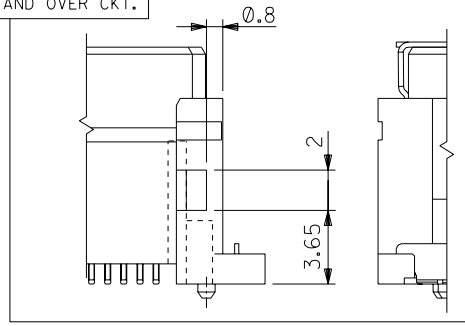


DWG. NO. SD-52777-003



1 4 2極以上の場合に適用。  
APPLIES 142 AND OVER CKT.



80極以下の場合に適用  
APPLIES 80 AND BELOW CKT.

78.4	76.2	82	77.8	71.2	52777-1807	180
62.4	60.2	66	61.8	55.2	52777-1407	140
46.4	44.2	50	45.8	39.2	52777-1007	100
38.4	36.2	42	37.8	31.2	52777-0807	80
30.4	28.2	34	29.8	23.2	52777-0607	60
22.4	20.2	26	21.8	15.2	52777-0407	40
E	D	C	B	A	MATERIAL NO.	極数 NO. OF CKTS.

DO NOT SCALE DRAWING

EC NO. DRWN: CHK: APPR:	EC NO. DRWN: CHK: APPR:	EC NO. DRWN: CHK: APPR:	EC NO. DRWN: CHK: APPR:	EC NO. DRWN: CHK: APPR:	RELEASD EC NO. J2004-2747 DRWN: Y.WADA '04/03/01 CHK: M.SASAO '04/03/01 APPR: M.SASAO '04/03/01
----------------------------------	----------------------------------	----------------------------------	----------------------------------	----------------------------------	---

MATERIAL 材料	SEE SHEET 2 OF 2
FINISH 仕上げ	SEE SHEET 2 OF 2
WIRE RANGE 適用電線範囲	—
INS. RANGE 被覆外径	—

GENERAL TOLERANCES: (UNLESS SPECIFIED) 一般公差	SCALE —	DESIGN UNITS <input checked="" type="checkbox"/> mm <input type="checkbox"/> INCH
10 UNDER 未満	±0.2	DRAWN BY & DATE Y.WADA '04/03/01 CHECKED BY & DATE M.SASAO '04/03/01 APPROVED BY & DATE M.SASAO '04/03/01
10 OVER 30 UNDER 以上 未満	±0.25	
30 OVER 以上	±0.3	
ANGLE 角度	±3°	CAD FILENAME SD-52777-003.S01

MODEL NO. 52777-***7	DIMENSIONS: <input type="checkbox"/> mm <input type="checkbox"/> INCH <input checked="" type="checkbox"/> mm ONLY	SHT REV
THIRD ANGLE PROJECTION	TITLE: 0.8 BOARD TO BOARD CONN. REC. HOUSING ASS'Y WITH COVER (H=11.75) -LEAD FREE-	REVISE ON CAD ONLY
MOLEX INCORPORATED		
MATERIAL NO. SEE CHART	DRAWING NO. SD-52777-003	SHEET NO. 1 OF 2
THIS DRAWING CONTAINS INFORMATION THAT IS PROPRIETARY TO MOLEX INCORPORATED AND SHOULD NOT BE USED WITHOUT WRITTEN PERMISSION.		
		SIZE B

DWG. NO. SD-52777-003

F

D

C

B

DO NOT SCALE DRAWING

8 7 6 5 4 3 2 1

F

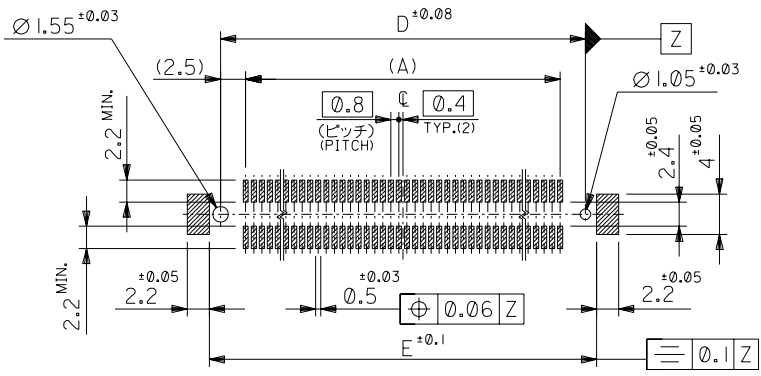
E

D

C

B

A



推奨基板寸法  
RECOMMENDED PCB PATTERN LAYOUT

注記  
NOTES

1. 材質  
MATERIAL  
ハウジング: ガラス入りLCP, 白色, UL94V-0  
HOUSING : G.F.LCP, WHITE, UL94V-0  
ターミナル: ベリリウム銅 (t=0.2)  
TERMINAL : BERYLLIUM COPPER  
金具: 燐青銅 (t=0.2)  
NAIL : PHOSPHOR BRONZE  
メタル・カバー: ステンレス鋼 (t=0.25)  
METAL COVER : STAINLESS STEEL
2. メッキ仕様  
PLATING  
ターミナル: 接点部: 金メッキ 0.2µmMIN.  
TERMINAL : CONTACT AREA : GOLD 0.2 µmMIN.  
半田付け部: 錫メッキ 1.0µmMIN.  
SOLDER TAIL AREA : TIN 1.0 µmMIN.  
下地メッキ: ニッケルメッキ 2.0µmMIN.  
UNDER-PLATING : NICKEL 2.0 µmMIN.  
金具: 錫メッキ 1.0µmMIN.  
NAIL : TIN 1.0 µmMIN.  
下地メッキ: ニッケルメッキ 1.0µmMIN.  
UNDER-PLATING : NICKEL 1.0 µmMIN.
3. ターミナル及び金具の半田付面のバラツキ寸法  
TERMINAL AND NAIL COPLANARITY  
Y面を基準とし、上へ0.05下へ0.1の範囲にあり、  
且つテール平坦度は、0.1MAX.とする。  
TAILS TO BE WITHIN 0.05 UPWARD AND 0.1 DOWNWARD FROM Y-DATUM PLANE.  
AND TAIL COPLANARITY TO BE 0.1 MAX.
4. 同一基板内に複数個(2ヶ以上)の使用は避けてください。  
MXJ DOES NOT RECOMMEND THE USAGE OF TWO OR MORE OF THESE CONNECTORS  
BETWEEN A SINGLE PAIR OF P.C.BOARD.
5. 本製品は52777-\*\*\*1の鉛フリー品である。  
THIS PRODUCT IS LEAD FREE OF 52777-\*\*\*1.

EC NO. DRWN: CHK: APPR:	EC NO. DRWN: CHK: APPR:	EC NO. DRWN: CHK: APPR:	EC NO. DRWN: CHK: APPR:	EC NO. DRWN: CHK: APPR:	RELEASED EC NO. J2004-2747 DRWN: Y.WADA '04/03/01 CHK: M.SASAO '04/03/01 APPR: M.SASAO '04/03/01	MATERIAL 材料	GENERAL TOLERANCES: (UNLESS SPECIFIED) 一般公差	SCALE	MODEL NO.	52777-***7	DIMENSIONS:	SHT	REV
						FINISH 仕上げ	10 UNDER 未満	10 OVER 以上	30 UNDER 未満	30 OVER 以上	ANGLE 角度	DESIGN UNITS mm □ INCH THIRD ANGLE PROJECTION	mm INCH mm ONLY
注記参照 SEE NOTES						WIRE RANGE 適用電線範囲	—#	DRAWN BY & DATE Y.WADA '04/03/01	TITLE: 0.8 BOARD TO BOARD CONN. REC. HOUSING ASS'Y WITH COVER (H=11.75) -LEAD FREE-				
注記参照 SEE NOTES						INS. RANGE 被覆外径	—#	CHECKED BY & DATE M.SASAO '04/03/01	MOLEX INCORPORATED				
								APPROVED BY & DATE M.SASAO '04/03/01	CAD FILENAME SD-52777-003.S02	MATERIAL NO. SEE CHART	DRAWING NO. SD-52777-003	SHEET NO. 2 OF 2	
THIS DRAWING CONTAINS INFORMATION THAT IS PROPRIETARY TO MOLEX INCORPORATED AND SHOULD NOT BE USED WITHOUT WRITTEN PERMISSION.											SIZE B		

8 7 6 5 4 3 2 1 EN-02J(097) MXJ-54

