



This is a sample photo.

Order symbol	PC 100/125 HT		
EI. number	EAN-code	6418074022301	
Sweden			
Denmark			
Finland	3420425		

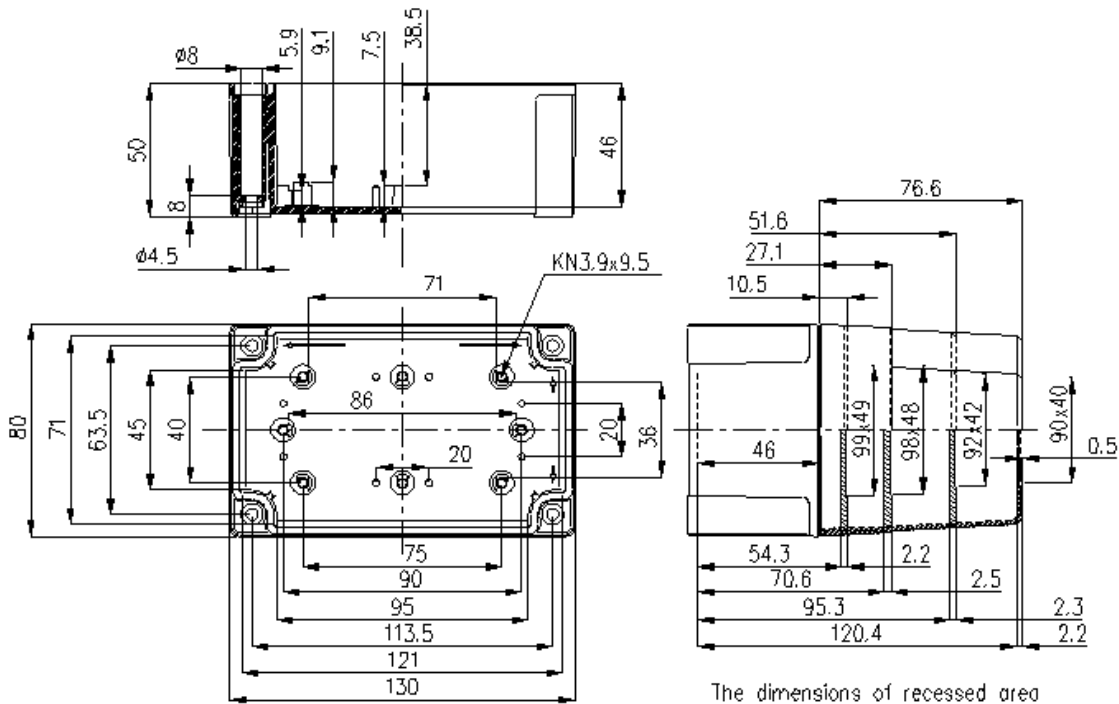
Including
Enclosure cover with cover screws, body with mounting screws and gasket.

Product Properties

USA: UL Type 1, 4, 4X, 6

EURO: IP 66/67 (EN 60529); IK 08 (EN 50102)

MNX PC



The dimensions of recessed area on top of cover have been given above (e.g. 99x49). The area have radius 2.0 mm in the corners.

Technical Information of Product Group

Standard colour:	RAL 7035	Temp. range-in cont. use:	Max. +80 °C
Flame resistance:	UL94-5V (UL 746 C 5)	Temp. range-of material:	- 40 °C - + 120 °C

Accessories

Sealing bushing	DP 14553
Condensation water plug	MB 12189
Mounting screw	KN 3.9x9.5
Mounting screw	MR ZN2.9x6.5
Ventilation device	MB 10631
Inspection window	L 02
Cover screw	SS 14551BH
Mounting plate	MIV 100
DIN-Rail	MIV 5
DIN-Rail	MIN 10
DIN-Rail	MIN 5
DIN-Rail	MIV 10
Front plate	FP A 100/130
Hinge	TH A