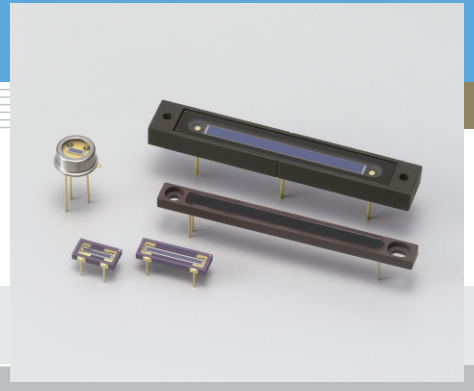


One-dimensional PSD S3979, S3931, S3932, S1352, S3270



3 to 37 mm resistance length PSD for precision distance measurement

Hamamatsu provides various types of one-dimensional PSD (Position Sensitive Detector) designed for precision distance measurement such as displacement meters. S3979 has a 1 × 3 mm active area sealed in a TO-5 package. S3931 and S3932 have an active area of 1 × 6 mm and 1 × 12 mm respectively, and are mounted on a compact ceramic package with a transparent resin window. Variant types (S3931-01, S3932-01) with a visible-cut resin window are also available. S1352 and S3270 offer an active area longer than 30 mm, allowing position detection at a long distance. S3270 has a visible-cut resin window, and S3270-01 with a transparent resin window is also available.

Features

- Superior position detection ability
- High reliability
- S3931, S3932: Easy to use 4-pin small ceramic package
- Long and narrow active area
S1352: 2.5 × 34 mm
S3270: 1 × 37 mm

Applications

- Displacement sensing
- Distance measurement
- Proximity switching

General ratings / Absolute maximum ratings

Type No.	Package	Window material *1	Active area size (mm)	Absolute maximum ratings		
				Reverse voltage VR Max. (V)	Operating temperature Topr (°C)	Storage temperature Tstg (°C)
S3979	TO-5	K	1 × 3	20	-10 to +60	-20 to +80
S3931	Ceramic	R	1 × 6			
S3932		R	1 × 12			
S1352 *2		K	2.5 × 34			
S3270 *2		R (B)	1 × 37			
					-10 to +75	

Electrical and optical characteristics (Typ. Ta=25 °C, unless otherwise noted)

Type No.	Spectral response range λ (nm)	Peak sensitivity wavelength λp (nm)	Photo sensitivity S λ=λp (A/W)	Interelectrode resistance Rie Vb=0.1 V (kΩ)			Position detection error *3 E VR=5 V light spot φ200 μm (μm)		Saturation photocurrent *4 VR=5 V RL=1 kΩ (μA)	Dark current ID VR=5 V (nA)		Temp. coefficient of ID TCID (times/°C)	Rise time tr VR=5 V RL=1 kΩ (μs)	Terminal capacitance Ct VR=5 V f=10 kHz (pF)	Position resolution *5 (μm)
				Min.	Typ.	Max.	Typ.	Max.		Typ.	Max.				
				(kΩ)	(kΩ)	(kΩ)	(μm)	(μm)		(nA)	(nA)				
S3979	320 to 1100	920	0.55	100	140	180	±15	±60	40	0.1	5	1.15	2.5	20	0.1
S3931				30	50	80	±30	±120	100	0.15	10		1.5	40	0.2
S3932							±60	±240		0.2	20		3.0	80	0.3
S1352						0.6	10	20	30	±125	±500		250	2	150
S3270	700 to 1100	960	0.55	10	15	20	±100	±400	300	0.5	20		1.0	100	2.8

*1: K: borosilicate glass, R: clear resin coating, R (B): visible-cut resin coating.

*2: Works with microscopic spot light detection.

*3: A range of 75 % of that from the center of the photosensitive surface to the edge.

*4: The upper limit of linearity of photocurrent in response to the quantity of light is defined as the point where the linearity deviates by 10 %.

*5: Position resolution

This is the minimum detectable light spot displacement. The detection limit is indicated by the distance on the photosensitive surface. The numerical value of the resolution of a position sensor using a PSD is proportional to both the length of the PSD and the noise of the measuring system (resolution deteriorates) and inversely proportional to the photocurrent (incident energy) of the PSD (resolution improves).

Light source: LED (900 nm)

Spot light size: φ 200 μm

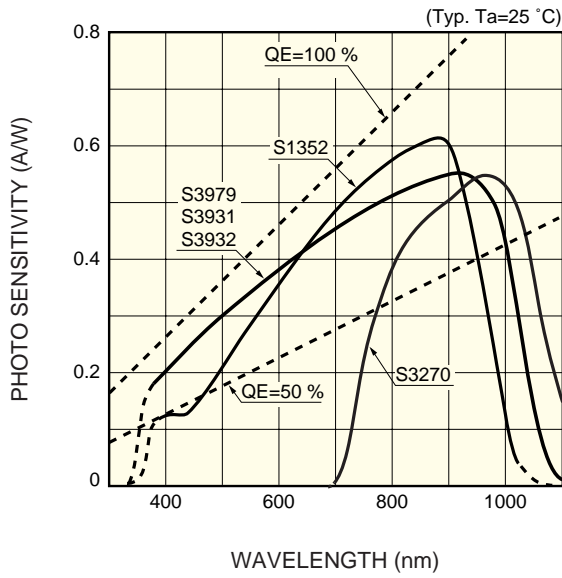
Frequency range: 1 kHz

Photocurrent: 1 μA

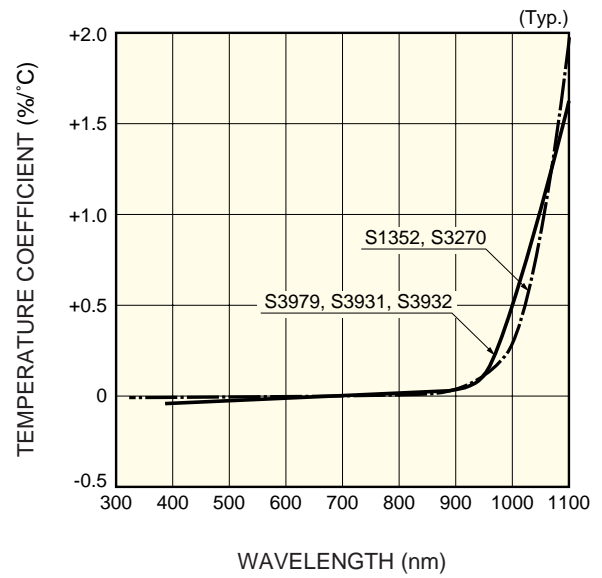
Circuit system input noise: 1 μV (1 kHz)

Interelectrode resistance: Typical value (refer to the specification table)

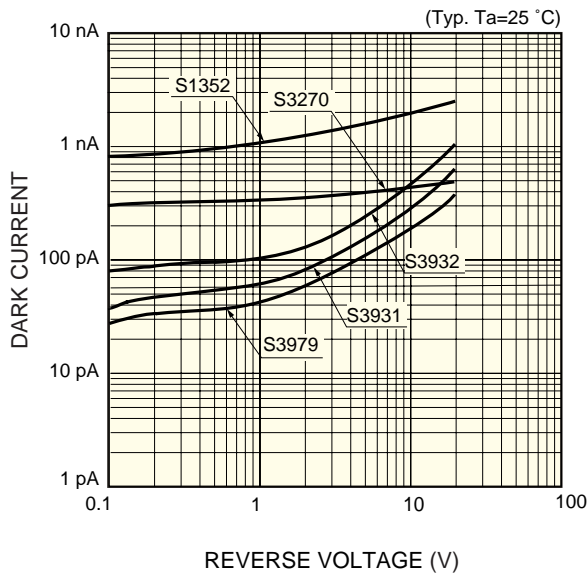
■ Spectral response



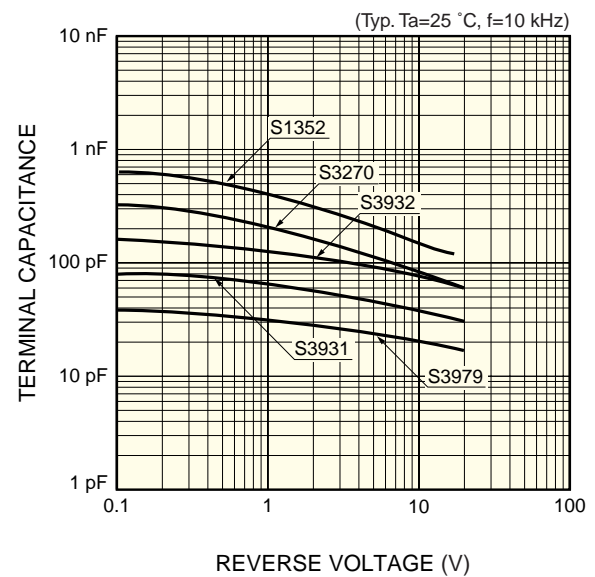
■ Photo sensitivity temperature characteristics



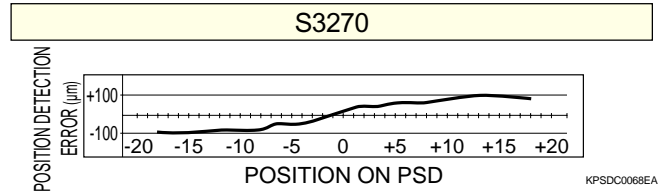
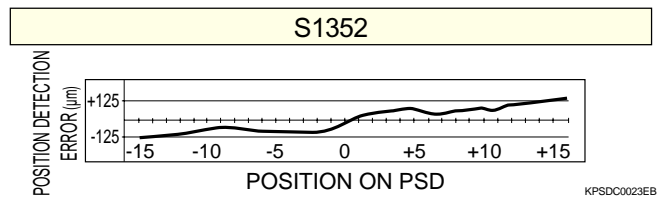
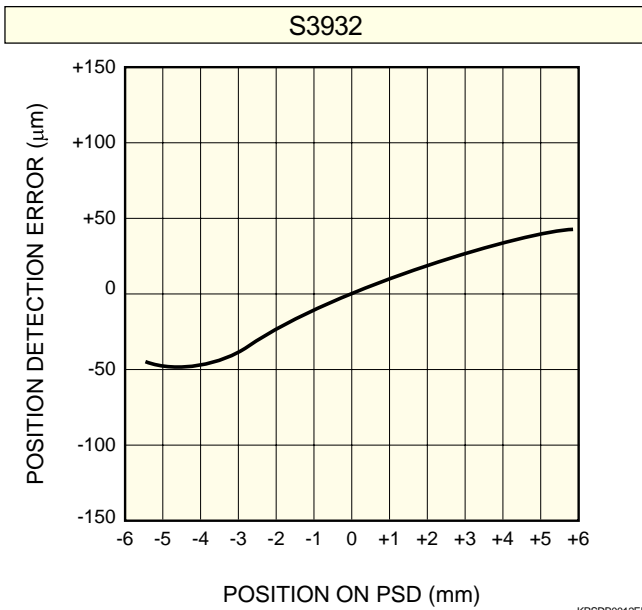
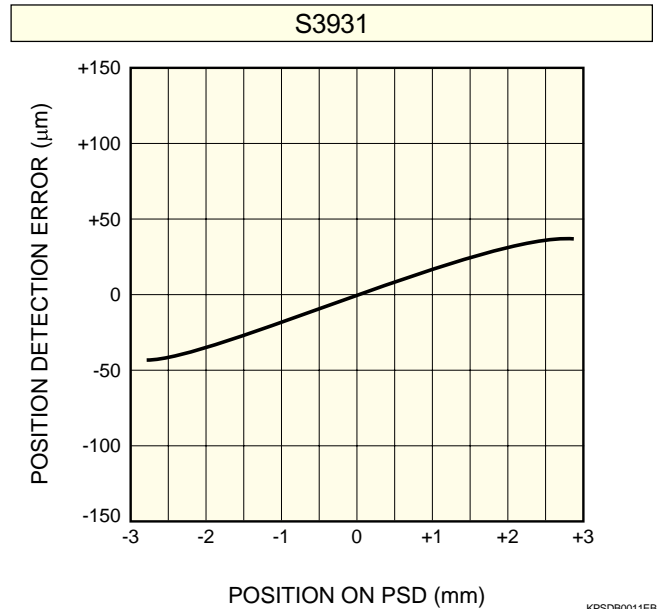
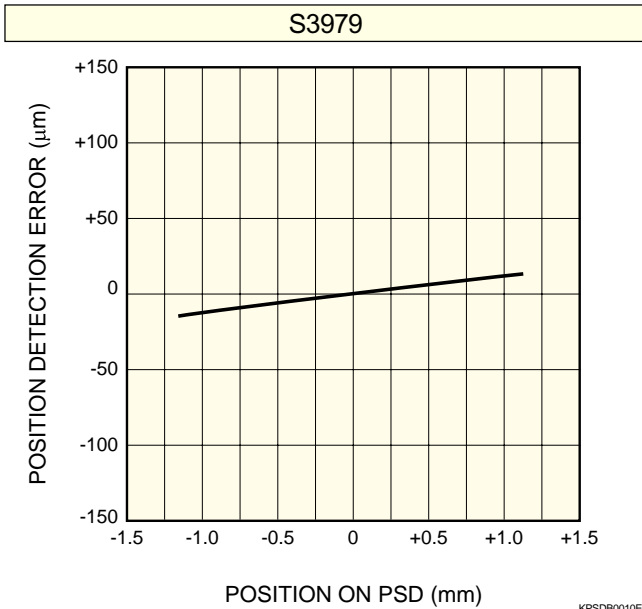
■ Dark current vs. reverse voltage



■ Terminal capacitance vs. reverse voltage

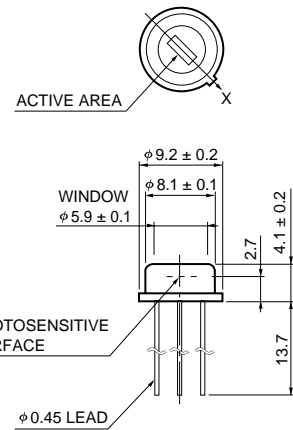


■ Example of position detectability (Ta=25 °C, λ=900 nm, spot light size: φ0.2 mm)

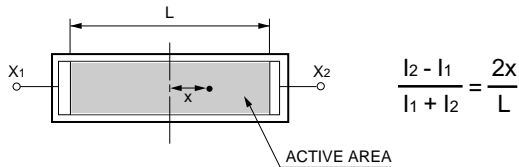


■ Dimensional outlines (unit: mm)

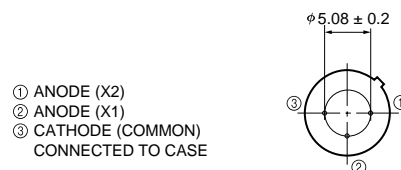
S3979



■ Conversion formula of spot light position on the PSD
 If output signals (photocurrent) I₁ and I₂ are obtained from electrodes X₁ and X₂, then the light spot position (x) on the PSD can be found by the following formula.

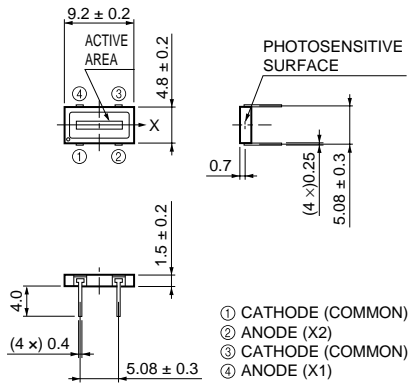


■ Correction for position detection error
 Position detection characteristics obtained by the above formula can be corrected to reduce position detection errors. For example, the maximum position detection error (±120 μm) of S3931 can be significantly reduced to ±9 μm by using the least square method.



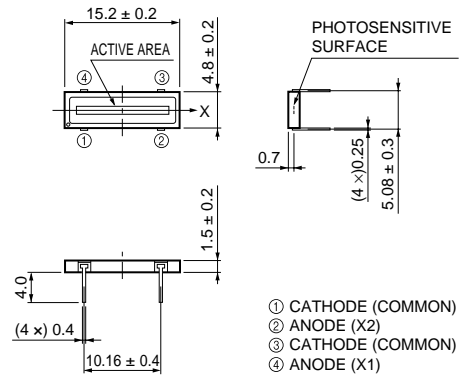
One-dimensional PSD S3979, S3931, S3932, S1352, S3270

S3931



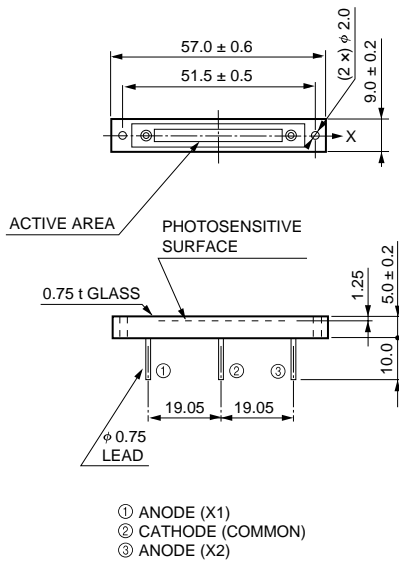
KPSDA0048EA

S3932



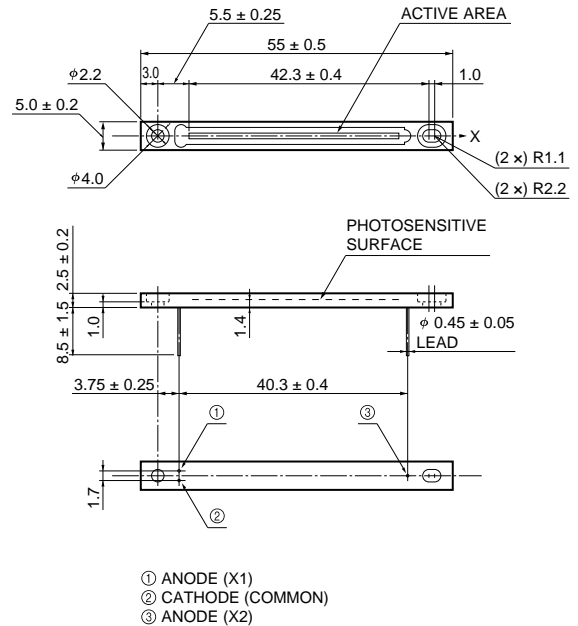
KPSDA0049EA

S1352



KPSDA0016EA

S3270



KPSDA0050EA

HAMAMATSU

Information furnished by HAMAMATSU is believed to be reliable. However, no responsibility is assumed for possible inaccuracies or omissions. Specifications are subject to change without notice. No patent rights are granted to any of the circuits described herein. ©2005 Hamamatsu Photonics K.K.

HAMAMATSU PHOTONICS K.K., Solid State Division

1126-1 Ichino-cho, Hamamatsu City, 435-8558 Japan, Telephone: (81) 053-434-3311, Fax: (81) 053-434-5184, <http://www.hamamatsu.com>

U.S.A.: Hamamatsu Corporation: 360 Foothill Road, P.O.Box 6910, Bridgewater, N.J. 08807-0910, U.S.A., Telephone: (1) 908-231-0960, Fax: (1) 908-231-1218

Germany: Hamamatsu Photonics Deutschland GmbH: Arzbergerstr. 10, D-82211 Herrsching am Ammersee, Germany, Telephone: (49) 08152-3750, Fax: (49) 08152-2658

France: Hamamatsu Photonics France S.A.R.L.: 8, Rue du Saule Trapu, Parc du Moulin de Massy, 91882 Massy Cedex, France, Telephone: 33-(1) 69 53 71 00, Fax: 33-(1) 69 53 71 10

United Kingdom: Hamamatsu Photonics UK Limited: 2 Howard Court, 10 Tewin Road, Welwyn Garden City, Hertfordshire AL7 1BW, United Kingdom, Telephone: (44) 1707-294888, Fax: (44) 1707-325777

North Europe: Hamamatsu Photonics Norden AB: Smidesvägen 12, SE-171 41 Solna, Sweden, Telephone: (46) 8-509-031-00, Fax: (46) 8-509-031-01

Italy: Hamamatsu Photonics Italia S.R.L.: Strada della Moia, 1/E, 20020 Arese, (Milano), Italy, Telephone: (39) 02-935-81-733, Fax: (39) 02-935-81-741

Cat. No. KPSD1002E03
Jul. 2005 DN