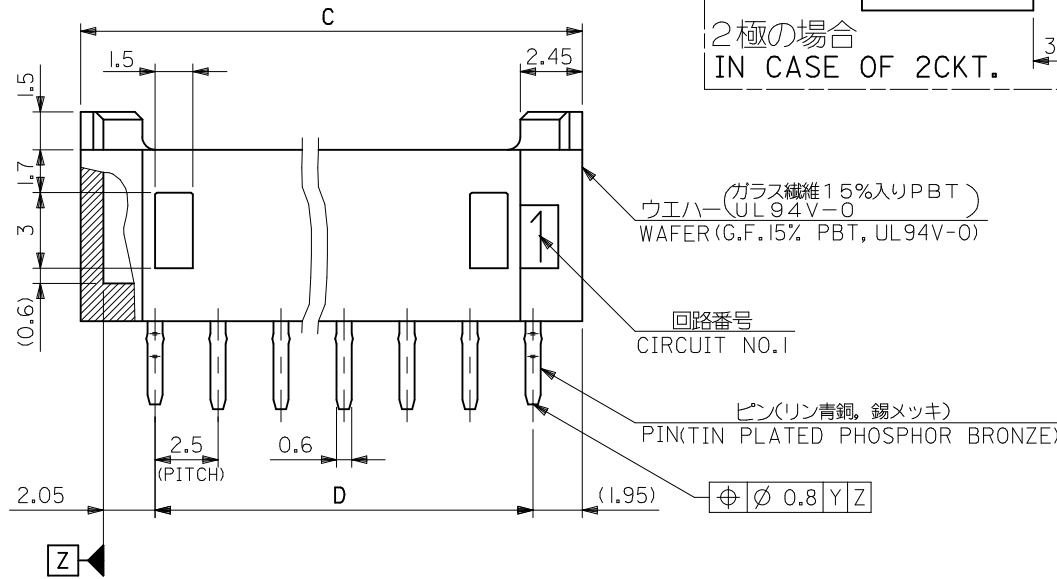
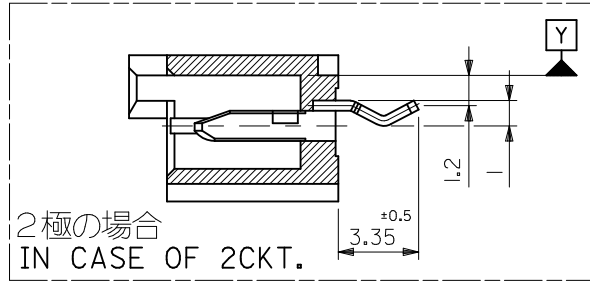


基板取付穴推奨寸法  
RECOMMENDED P.C.B.HOLE DIMENSIONS



35	39.9	38.1	35	53052-1510	15
15	19.9	18.1	15	-0710	7
12.5	17.4	15.6	12.5	-0610	6
5	9.9	8.1	5	-0310	3
2.5	7.4	5.6	2.5	53052-0210	2
D	C	B	A	オーダー番号 ORDER NO.	極数 CIRCUIT

CONNECTOR SERIES NO. 53052-\*\*\*10

REVISED EC NO. J2010-1406 DRW:NAKATA 2010/01/12 CHKD:IMARONEY 2010/01/12 APPR:MYAGI 2010/01/12	GENERAL TOLERANCES (UNLESS SPECIFIED)		DIMENSION STYLE <b>MM ONLY</b>		SCALE <b>5:1</b>	DESIGN UNITS <b>METRIC</b>	THIRD ANGLE PROJECTION		
	10 UNDER	±0.2	DRAWN BY	DATE	TITLE				
	10 OVER 30 UNDER	±0.25	MMORIKAWA	2009/08/25	2.5 LOW PROFILE WAFER ASSY WITH KINK				
	30 OVER	±0.3	APPROVED BY	DATE	MOLEX INCORPORATED				
	ANGULAR ±3 °	DRAFT WHERE APPLICABLE MUST REMAIN WITHIN DIMENSIONS	MATERIAL NO.	SEE TABLE	DOCUMENT NO.	SD-53052-001			
			SIZE	THIS DRAWING CONTAINS INFORMATION THAT IS PROPRIETARY TO MOLEX INCORPORATED AND SHOULD NOT BE USED WITHOUT WRITTEN PERMISSION				SHEET NO. 1 OF 1	

注記  
NOTES

- 嵌合相手 : 51024-\*\*\*00  
MATES WITH : 51024-\*\*\*00
- キングは両端のソルダーテールのみとする。  
KINK TO BE APPLIED FOR THE BOTH END OF TERMINAL