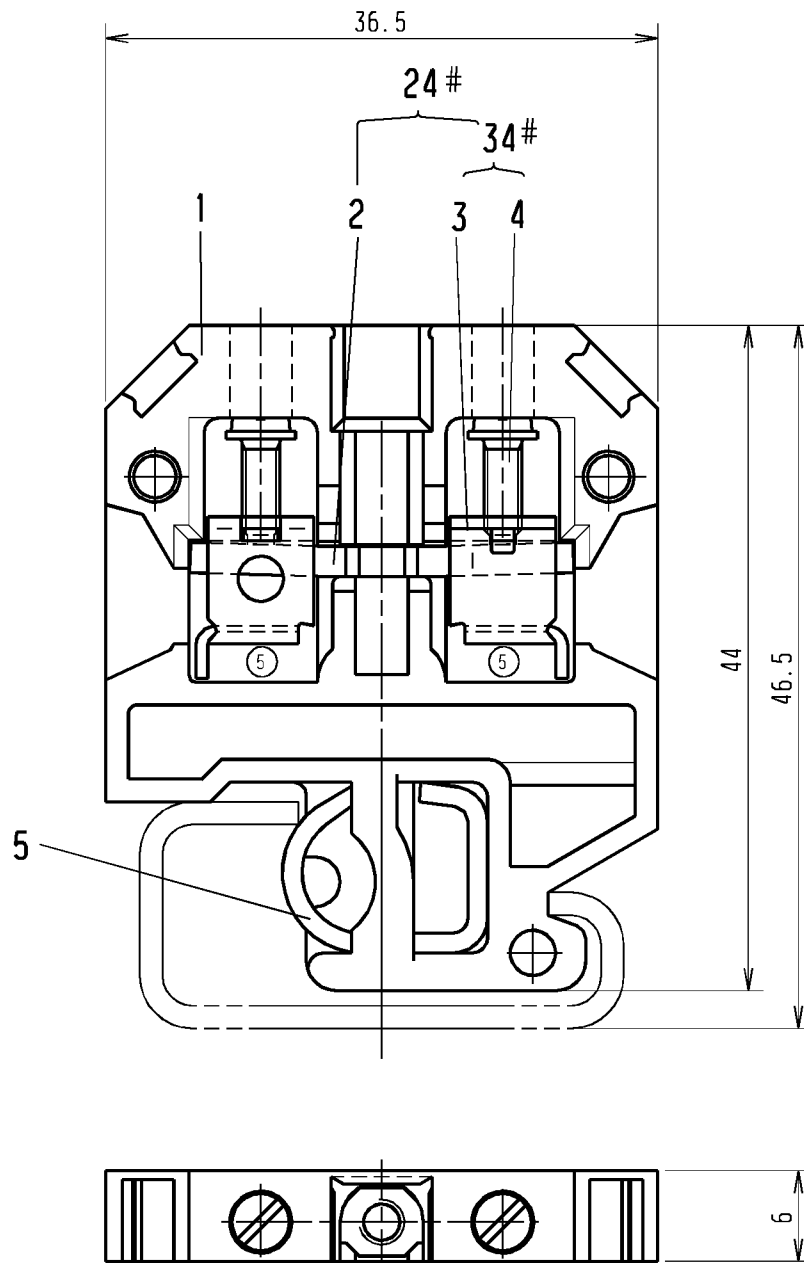


MASSE SIND KEINE PRUEFFMASSE
DIMS. ARE NOT CONTROL DIMS.

DIE DEUTSCHE VERSION IST VERBINDLICH
THE GERMAN VERSION IS BINDING



SCHUTZVERMERK NACH DIN 34 BEACHTEN
PROTECTION REMARK TO DIN 34 MUST BE OBSERVED

ALTERNATIV ZULAESSIG
ALTERNATIVE ALLOWED

③

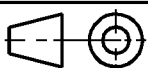
BEMESSUNGSDATEN
RATED DATA
BEMESSUNGSQUERSCHNITT
RATED CROSS-SECTION 2.5 mm²
BEMESSUNGSSTROM
RATED CURRENT 24 A
BEMESSUNGSSPANNUNG
RATED VOLTAGE 800 V

SAK 2.5 K. IN BL	④	952034
SAK 2.5 K. IN	④	952032
TYP PART NAME		BEST.-NR. CAT. NO.

⑤	17236/3 27. FEB 98 SEI	2
④	15838/5 08. JAN 96 MOE	3
③	15551/4 29. NOV 95 MOE	1
MODIFICATION		

Weidmüller

DRAWING NO. 4 22405		ISSUE NO. ⑤
SHEET: .	OF .	SHEETS



	DATE	NAME
RESPONSIBLE		K. STRATE
DRAWN	29. NOV 95	U. MÖLLER
CHECKED	04. MAR 98	STRICH
APPROVED	18. DEC 95	18. DEC 95

④ SAK 2.5 K. IN ...

DURCHGANGS-REIHENKLEMME
FEED-THROUGH TERMINAL

SCALE: 2/1
SUPERSEDES: 4 22405/2

SUPERSEDED BY: .

PRODUCT FILE: SAK 2.5

L