

FUSES

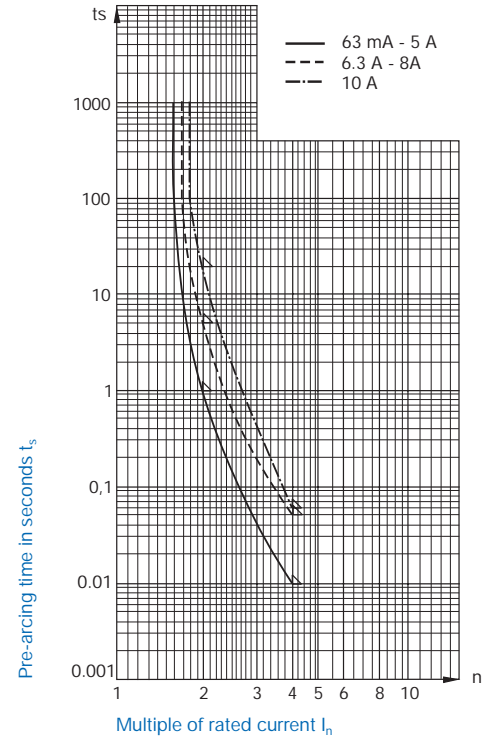
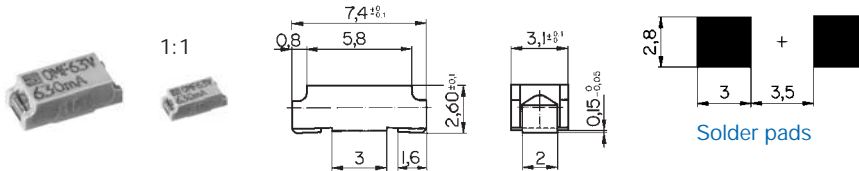
OMF 63

Non resettable fuses

Surface Mount Fuses Type OMF 63

quick-acting F

available in lead-free **NEW** version directly solderable on printed circuit boards or pluggable into surface mount fuseholder



Standards

UL 248-14
CSA C22.2 No. 248.14

Pre-arcing time/current characteristic (at T_a 23 °C)

Rated current I_n / $n \cdot I_n$	$n \cdot I_n$		
	$1 \cdot I_n^*$	$2 \cdot I_n$	$4 \cdot I_n$
	min.	max.	max.
63 mA – 5 A	4 h	1 s	10 ms
6,3 – 8 A	4 h	5 s	50 ms
10 A	4 h	20 s	60 ms

* Non fusing current I_{nr}

Approvals, Patents

UL CSA

Patents in U.S. (No. 4,851,806) and in further countries

Order No.	Rated current I_n Rated voltage U_n	Breaking capacity	Voltage drop		Sustained power dissipation	Pre-arcing I^2t	Approvals	
			at I_n	at $1 \cdot I_n$	at $1 \cdot I_n$	at $4 \cdot I_n$	UL	CSA
3402.0003.XX	63 mA / 63 V	50 A / 63 V AC/DC p.f. / $\cos \varphi$ 1	typ. mV	typ. mW	typ. A ² s	•	•	
3402.0004.XX	100 mA / 63 V		2550	160	$1,1 \cdot 10^{-4}$	•	•	
3402.0049.XX	125 mA / 63 V		1770	180	$6,7 \cdot 10^{-3}$	•	•	
3402.0005.XX	160 mA / 63 V		1770	220	$1,1 \cdot 10^{-3}$	•	•	
3402.0006.XX	250 mA / 63 V		1700	270	$1,8 \cdot 10^{-3}$	•	•	
3402.0043.XX	350 mA / 63 V		990	250	$5,8 \cdot 10^{-3}$	•	•	
3402.0044.XX	375 mA / 63 V		990	350	$7,6 \cdot 10^{-3}$	•	•	
3402.0007.XX	400 mA / 63 V		990	370	$1,3 \cdot 10^{-2}$	•	•	
3402.0045.XX	500 mA / 63 V		960	380	$1,6 \cdot 10^{-2}$	•	•	
3402.0008.XX	630 mA / 63 V		350	180	$1,6 \cdot 10^{-2}$	•	•	
3402.0046.XX	750 mA / 63 V		290	180	$2,0 \cdot 10^{-2}$	•	•	
3402.0009.XX	1 A / 63 V		260	200	$3,1 \cdot 10^{-2}$	•	•	
3402.0010.XX	1,25 A / 63 V		220	220	$8,6 \cdot 10^{-2}$	•	•	
3402.0047.XX	1,5 A / 63 V		220	280	$1,4 \cdot 10^{-1}$	•	•	
3402.0011.XX	1,6 A / 63 V		200	300	$2,4 \cdot 10^{-1}$	•	•	
3402.0012.XX	2 A / 63 V		200	320	$2,7 \cdot 10^{-1}$	•	•	
3402.0013.XX	2,5 A / 63 V		200	400	$4,4 \cdot 10^{-1}$	•	•	
3402.0014.XX	3 A / 63 V		190	480	$9,7 \cdot 10^{-1}$	•	•	
3402.0048.XX	3,15 A / 63 V		190	570	1,3	•	•	
3402.0015.XX	3,5 A / 63 V		190	600	1,2	•	•	
3402.0016.XX	4 A / 63 V	140	490	1,6	•	•		
3402.0017.XX	5 A / 63 V	140	560	2,1	•	•		
3402.0018.XX	6,3 A / 63 V	140	700	2,9	•	•		
3402.0019.XX	7 A / 63 V	110	690	14	•	•		
3402.0020.XX	8 A / 63 V	105	740	16	•	•		
3402.0020.XX	8 A / 63 V	100	800	20	•	•		
3402.0040.XX	10 A / 63 V	80	800	54	•	•		

.XX Packaging index

Additional technical data and packaging see page 60



Suitable surface mount fuseholder see page 182



OMF 63 fuse-link pre-inserted into fuseholder OMH 125 see page 61

Technical data and packaging

Types **OMF 63**
OMF 125
OMT 125
OMF 250
OMT 250

Additional technical data

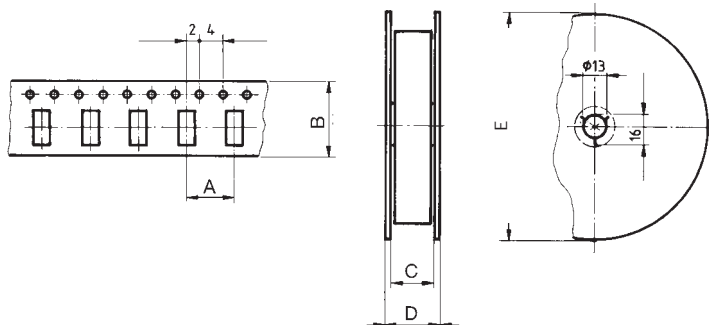
Ambient temperature max. T_a	- 40 °C to + 85 °C								
Permissible continuous operating current at 23 °C	<table style="display: inline-table; border: none;"> <tr> <td style="border: none;">OMF 63</td> <td rowspan="3" style="border: none;">} $0,7 \times I_n$</td> <td rowspan="5" style="border: none;">} Shift of the rated current at ambient air temperatures > 23 °C see diagramm on page 204</td> </tr> <tr> <td style="border: none;">OMF 125</td> </tr> <tr> <td style="border: none;">OMT 125</td> </tr> <tr> <td style="border: none;">OMF 250</td> <td rowspan="2" style="border: none;">} $0,8 \times I_n$</td> </tr> <tr> <td style="border: none;">OMT 250</td> </tr> </table>	OMF 63	} $0,7 \times I_n$	} Shift of the rated current at ambient air temperatures > 23 °C see diagramm on page 204	OMF 125	OMT 125	OMF 250	} $0,8 \times I_n$	OMT 250
OMF 63	} $0,7 \times I_n$	} Shift of the rated current at ambient air temperatures > 23 °C see diagramm on page 204							
OMF 125									
OMT 125									
OMF 250	} $0,8 \times I_n$								
OMT 250									
Resistance to vibration	Frequency 10 ÷ 2000 Hz, cross-over frequency 60 Hz < 60 Hz constant Amplitude of 0,75 mm > 60 Hz constant acceleration of 100 m/s ² (10 g); OMF 250, OMT 250: 196 m/s ² (20 g) according to IEC 60068-2-6, Test Fc								
Resistance to shock	981 m/s ² (100 g), 6 ms, IEC 60068-2-27 test Ea								
Climatic category	GPF according to DIN 40040								
Solderability (Reflow- and Wave soldering)	235 °C / 2 sec. IEC 60068-2-58 / test Td								
Soldering heat resistance	260 °C / 10 sec. IEC 60068-2-58 / test Td								
Fuse-link temperature rise ≤ 75 K (UL/CSA)	trackwidth for: $I_n \leq 5 A: \leq 5 \text{ mm}$ $I_n 6,3/7A \geq 5 \text{ mm}$ $I_n 8/10A \geq 10 \text{ mm}$								
Storage temperature max.	40 °C / 70% r. H								
Materials Housing Terminals	Temperature resistant plastic, flammability class UL 94V-0 Brass, tin plated								
Net weight pieces %	OMF 63 and OMT 125: 10 g OMF 250 / OMT 250: 35 g								

Packaging

Bag or tape	Type OMF 63	Types OMF 125 / OMT 125	Types OMF 250 / OMT 250
Bag of 100 pieces	3402.XXXX.11	3404.XXXX.11	3403.XXXX.11
Taped and reeled 750 pieces	3402.XXXX.22	3404.XXXX.22	
Taped and reeled 2000 pieces			3403.XXXX.24
Taped and reeled 3000 pieces	3402.XXXX.24	3404.XXXX.24	

Blistertape and reel

according to IEC 286-3



Types	Dimensions in mm					
	A	B	C (max.)	D (max.)	E (750)	(2000) (3000)
OMF 63	8	16	18,4	22,4	180	330
OMF 125	8	16	18,4	22,4	180	330
OMT 125	8	16	18,4	22,4	180	330
OMF 250	8	24	26,4	30,4		330
OMT 250	8	24	26,4	30,4		330