

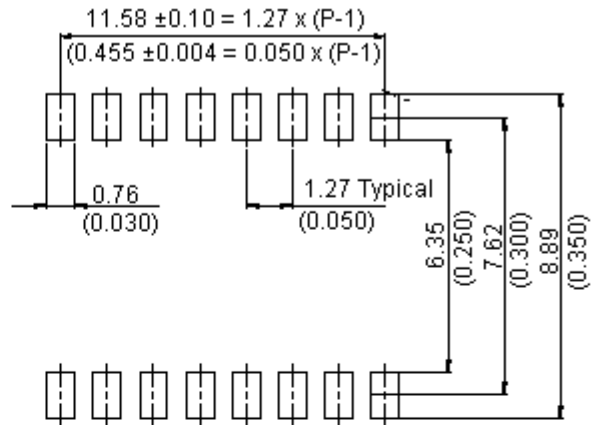
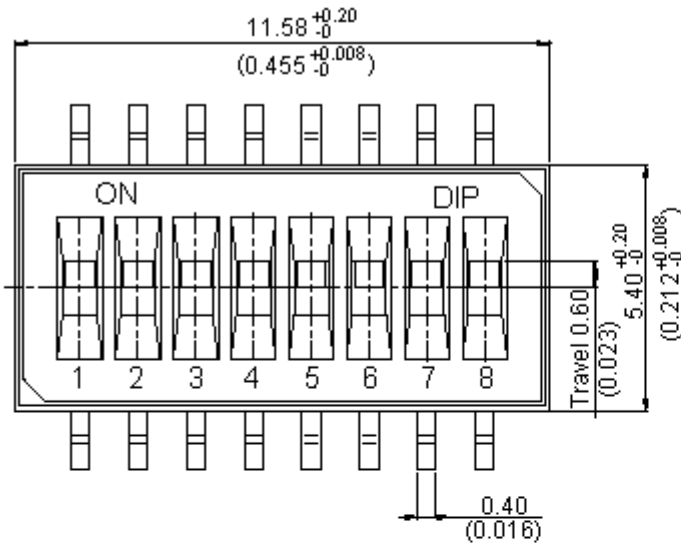


PART NO.

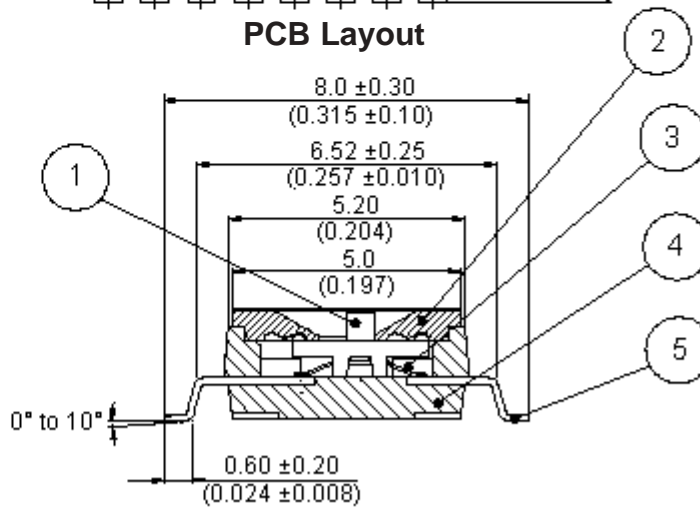
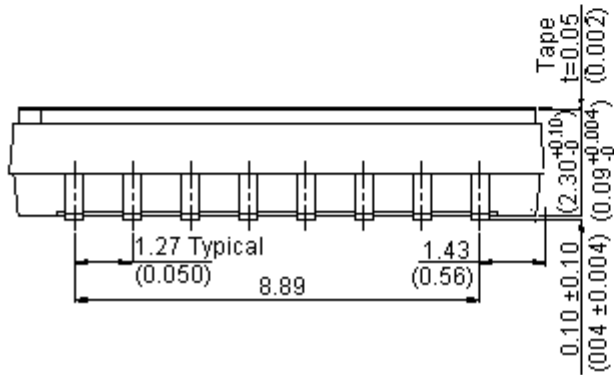
MCHDS-08-T

REVISIONS

| ECN # | REV | DESCRIPTION | DRAWN | DATE     | CHECKD | DATE     | APPRVD  | DATE     |
|-------|-----|-------------|-------|----------|--------|----------|---------|----------|
| -     | A   | RELEASED    | Kiran | 13/04/09 | Veena  | 13/04/09 | Farnell | 27/04/09 |



PCB Layout



Dimensions : Millimetres (Inches)

This data sheet and its contents (the "Information") belong to the Premier Farnell Group (the "Group") or are licensed to it. No licence is granted for the use of it other than for information purposes in connection with the products to which it relates. No licence of any intellectual property rights is granted. The Information is subject to change without notice and replaces all data sheets previously supplied. The Information supplied is believed to be accurate but the Group assumes no responsibility for its accuracy or completeness, any error in or omission from it or for any use made of it. Users of this data sheet should check for themselves the Information and the suitability of the products for their purpose and not make any assumptions based on information included or omitted. Liability for loss or damage resulting from any reliance on the Information or use of it (including liability resulting from negligence or where the Group was aware of the possibility of such loss or damage arising) is excluded. This will not operate to limit or restrict the Group's liability for death or personal injury resulting from its negligence. SPC MULTICOMP is the registered trademark of the Group. © Premier Farnell plc 2009.

TOLERANCES:  
UNLESS OTHERWISE SPECIFIED, DIMENSIONS ARE FOR REFERENCE PURPOSES ONLY.

|              |          |
|--------------|----------|
| DRAWN BY:    | DATE:    |
| Kiran        | 13/04/09 |
| CHECKED BY:  | DATE:    |
| Veena        | 13/04/09 |
| APPROVED BY: | DATE:    |
| Farnell      | 27/04/09 |

|                |           |                     |               |
|----------------|-----------|---------------------|---------------|
| DRAWING TITLE: |           |                     |               |
| HDS Series     |           |                     |               |
| SIZE           | DWG NO.   | ELECTRONIC FILE     | REV           |
| A              | M10002107 | 78050_DWG           | A             |
| SCALE: NTS     |           | U.O.M.: mm (Inches) | SHEET: 1 OF 4 |



PART NO.

MCHDS-08-T

REVISIONS

| ECN # | REV | DESCRIPTION | DRAWN | DATE     | CHECKD | DATE     | APPRVD  | DATE     |
|-------|-----|-------------|-------|----------|--------|----------|---------|----------|
| -     | A   | RELEASED    | Kiran | 13/04/09 | Veena  | 13/04/09 | Farnell | 27/04/09 |
|       |     |             |       |          |        |          |         |          |

**Specifications:**

**Mechanical**

Mechanical life : 2000 cycles.  
 Maximum operation force : 600gf.  
 Stroke : 0.6mm.  
 Operation temperature : -20°C to +70°C.  
 Storage temperature : -40° to +85°C.

**Electrical**

Electrical life : 2000 operations cycles per switch 24V dc, 25mA.  
 Non-switching rating : 100mA, 50V dc.  
 Switching rating : 25mA, 24V dc.  
 Maximum contact resistance : 100mΩ at initial  
 Minimum insulation resistance : 100MΩ at 500V dc.  
 Dielectric strength : 300V ac/minute.  
 Maximum capacitance : 5pF.  
 Circuit : Single pole single throw.

**Materials**

Base : Nylon thermoplastic.  
 Base colour : Black.  
 Cover : Nylon thermoplastic.  
 Cover colour : Black.  
 Actuator : LCP thermoplastic.  
 Actuator colour : White.  
 Contact : Alloy copper.  
 Terminal : Brass.  
 Contact plating : Gold plated over nickel.  
 Terminal plating : Gold plated.  
 Tape : KAPTON.

This data sheet and its contents (the "Information") belong to the Premier Farnell Group (the "Group") or are licensed to it. No licence is granted for the use of it other than for information purposes in connection with the products to which it relates. No licence of any intellectual property rights is granted. The Information is subject to change without notice and replaces all data sheets previously supplied. The Information supplied is believed to be accurate but the Group assumes no responsibility for its accuracy or completeness, any error in or omission from it or for any use made of it. Users of this data sheet should check for themselves the Information and the suitability of the products for their purpose and not make any assumptions based on information included or omitted. Liability for loss or damage resulting from any reliance on the Information or use of it (including liability resulting from negligence or where the Group was aware of the possibility of such loss or damage arising) is excluded. This will not operate to limit or restrict the Group's liability for death or personal injury resulting from its negligence. SPC MULTICOMP is the registered trademark of the Group. © Premier Farnell plc 2009.

**TOLERANCES:**  
  
 UNLESS OTHERWISE SPECIFIED, DIMENSIONS ARE FOR REFERENCE PURPOSES ONLY.

|                     |              |
|---------------------|--------------|
| <b>DRAWN BY:</b>    | <b>DATE:</b> |
| Kiran               | 13/04/09     |
| <b>CHECKED BY:</b>  | <b>DATE:</b> |
| Veena               | 13/04/09     |
| <b>APPROVED BY:</b> | <b>DATE:</b> |
| Farnell             | 27/04/09     |

|                       |                |                            |                      |
|-----------------------|----------------|----------------------------|----------------------|
| <b>DRAWING TITLE:</b> |                |                            |                      |
| HDS Series            |                |                            |                      |
| <b>SIZE</b>           | <b>DWG NO.</b> | <b>ELECTRONIC FILE</b>     | <b>REV</b>           |
| A                     | M10002107      | 78050_DWG                  | A                    |
| <b>SCALE: NTS</b>     |                | <b>U.O.M.: mm (Inches)</b> | <b>SHEET: 2 OF 4</b> |



PART NO.

MCHDS-08-T

REVISIONS

| ECN # | REV | DESCRIPTION | DRAWN | DATE     | CHECKD | DATE     | APPRVD  | DATE     |
|-------|-----|-------------|-------|----------|--------|----------|---------|----------|
| -     | A   | RELEASED    | Kiran | 13/04/09 | Veena  | 13/04/09 | Farnell | 27/04/09 |

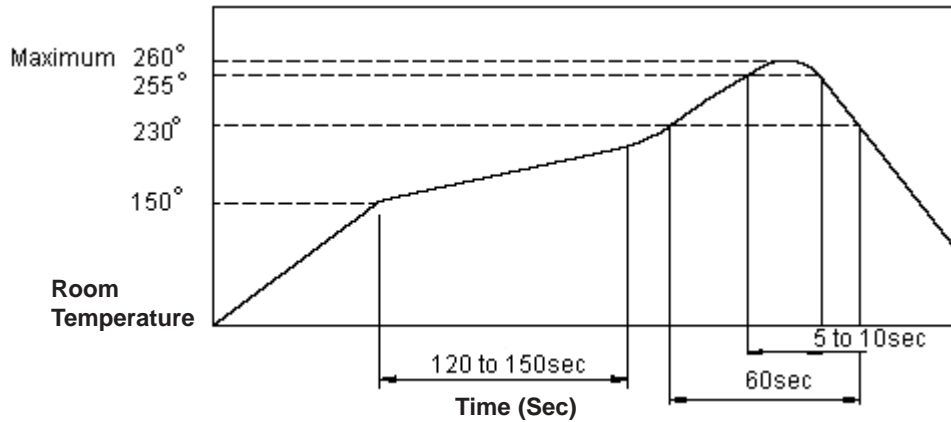
**Soldering and Cleaning Process**

Soldering: Vapour phase and reflow soldering can be applied.

**Cleaning:**

1. Only tape sealed types apply to wash process.
2. Do not remove the tape before wash process.
3. After soldering process, do not continue the wash process immediately. Please wait for at least 3 minutes.
4. Apply alcoholic solvents as cleaning agent do not use other solvents or water.
5. Ultrasonic cleaning is not recommended.
6. The cleaning process per stage is maximum 1 minute and the whole cleaning time are not to exceed 3 minutes.
7. Do not remove the tape before wash process.

**Temperature Profile:**



This data sheet and its contents (the "Information") belong to the Premier Farnell Group (the "Group") or are licensed to it. No licence is granted for the use of it other than for information purposes in connection with the products to which it relates. No licence of any intellectual property rights is granted. The Information is subject to change without notice and replaces all data sheets previously supplied. The Information supplied is believed to be accurate but the Group assumes no responsibility for its accuracy or completeness, any error in or omission from it or for any use made of it. Users of this data sheet should check for themselves the information and the suitability of the products for their purpose and not make any assumptions based on information included or omitted. Liability for loss or damage resulting from any reliance on the Information or use of it (including liability resulting from negligence or where the Group was aware of the possibility of such loss or damage arising) is excluded. This will not operate to limit or restrict the Group's liability for death or personal injury resulting from its negligence. SPC MULTICOMP is the registered trademark of the Group. © Premier Farnell plc 2009.

TOLERANCES:  
UNLESS OTHERWISE SPECIFIED, DIMENSIONS ARE FOR REFERENCE PURPOSES ONLY.

|              |          |
|--------------|----------|
| DRAWN BY:    | DATE:    |
| Kiran        | 13/04/09 |
| CHECKED BY:  | DATE:    |
| Veena        | 13/04/09 |
| APPROVED BY: | DATE:    |
| Farnell      | 27/04/09 |

|                |                     |                 |     |
|----------------|---------------------|-----------------|-----|
| DRAWING TITLE: |                     |                 |     |
| HDS Series     |                     |                 |     |
| SIZE           | DWG NO.             | ELECTRONIC FILE | REV |
| A              | M10002107           | 78050_DWG       | A   |
| SCALE: NTS     | U.O.M.: mm (Inches) | SHEET: 3 OF 4   |     |



PART NO.

MCHDS-08-T

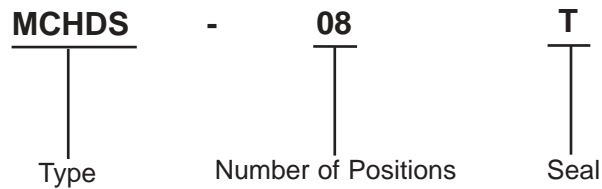
REVISIONS

| ECN # | REV | DESCRIPTION | DRAWN | DATE     | CHECKD | DATE     | APPRVD  | DATE     |
|-------|-----|-------------|-------|----------|--------|----------|---------|----------|
| -     | A   | RELEASED    | Kiran | 13/04/09 | Veena  | 13/04/09 | Farnell | 27/04/09 |
|       |     |             |       |          |        |          |         |          |

Part Number Table

| Description                        | Part Number |
|------------------------------------|-------------|
| Switch, DIL, 1/2 Pitch, SMD, 8 Way | MCHDS-08-T  |

Part Number Explanation:



- DIP Switch** : MCHDS = Half Pitch DIP Switch.
- Number of Position** : 08 = 8 Position
- Seal** : T = Top Tape Sealed.

<http://www.farnell.com>

<http://www.newark.com>

<http://www.cpc.co.uk>

This data sheet and its contents (the "Information") belong to the Premier Farnell Group (the "Group") or are licensed to it. No licence is granted for the use of it other than for information purposes in connection with the products to which it relates. No licence of any intellectual property rights is granted. The Information is subject to change without notice and replaces all data sheets previously supplied. The Information supplied is believed to be accurate but the Group assumes no responsibility for its accuracy or completeness, any error in or omission from it or for any use made of it. Users of this data sheet should check for themselves the Information and the suitability of the products for their purpose and not make any assumptions based on information included or omitted. Liability for loss or damage resulting from any reliance on the Information or use of it (including liability resulting from negligence or where the Group was aware of the possibility of such loss or damage arising) is excluded. This will not operate to limit or restrict the Group's liability for death or personal injury resulting from its negligence. SPC MULTICOMP is the registered trademark of the Group. © Premier Farnell plc 2009.

**TOLERANCES:**  
UNLESS OTHERWISE SPECIFIED, DIMENSIONS ARE FOR REFERENCE PURPOSES ONLY.

|                     |              |
|---------------------|--------------|
| <b>DRAWN BY:</b>    | <b>DATE:</b> |
| Kiran               | 13/04/09     |
| <b>CHECKED BY:</b>  | <b>DATE:</b> |
| Veena               | 13/04/09     |
| <b>APPROVED BY:</b> | <b>DATE:</b> |
| Farnell             | 27/04/09     |

|                       |                  |                            |                      |
|-----------------------|------------------|----------------------------|----------------------|
| <b>DRAWING TITLE:</b> |                  |                            |                      |
| <b>HDS Series</b>     |                  |                            |                      |
| <b>SIZE</b>           | <b>DWG NO.</b>   | <b>ELECTRONIC FILE</b>     | <b>REV</b>           |
| <b>A</b>              | <b>M10002107</b> | <b>78050_DWG</b>           | <b>A</b>             |
| <b>SCALE: NTS</b>     |                  | <b>U.O.M.: mm (Inches)</b> | <b>SHEET: 4 OF 4</b> |