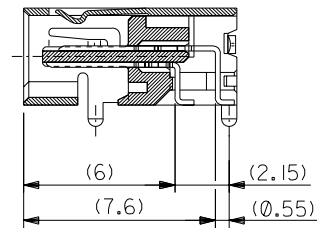
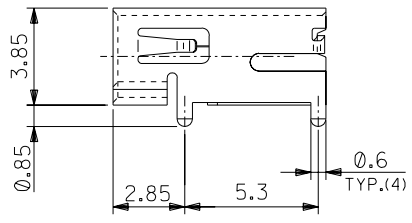
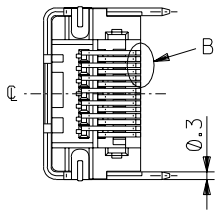
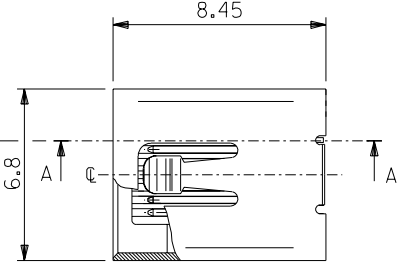
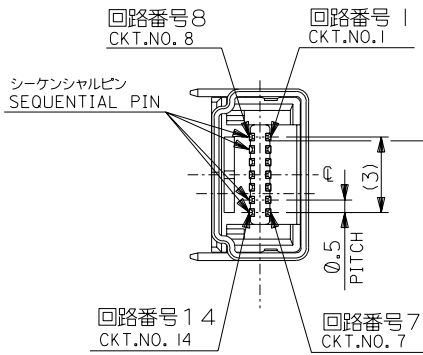


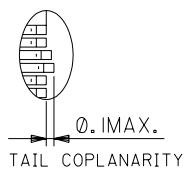
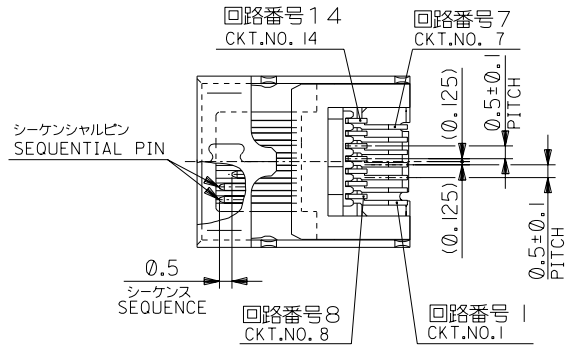
DWG. NO. SD-501091-001

NOTE:

1. 適合リセ番号: 51283-1411 (STRAIGHT TYPE)
 APPLICABLE REC. NO.: 51283-1411 (STRAIGHT TYPE)
2. 材質 MATERIAL
 - 2-1. ハウジング: ガラス入り耐熱樹脂 94V-0, 黒色
 HOUSING: G.F. HEAT RESISTANT PLASTIC 94V-0, BLACK COLOR
 - 2-2. ターミナル: 銅合金
 TERMINAL: COPPER ALLOY
 - 2-3. プラグ シールド: ステンレス鋼
 PLUG SHIELD: STAINLESS STEEL
3. メッキ仕様 PLATING
 - 3-1. ターミナル TERMINAL
 - 3-1-1. 接点部: 金メッキ 0.1umMIN.
 CONTACT AREA: GOLD
 : パラジウムニッケルメッキ 0.2umMIN.
 PALLADIUM-NICKEL
 - 3-1-2. 半田付け部: 錫メッキ 1~3um
 SOLDER TAIL AREA: Sn
 - 3-1-3. 下地メッキ: ニッケルメッキ 1.5~3um
 UNDER-PLATING: NICKEL
 - 3-2. プラグ シールド PLUG SHIELD
 - 3-2-1. 表面処理: 金コーティング
 SURFACE TREATMENT: GOLD COATING
 - 3-2-2. 下地メッキ: ニッケルメッキ 1.0~2um
 UNDER-PLATING: NICKEL



SECTION A-A

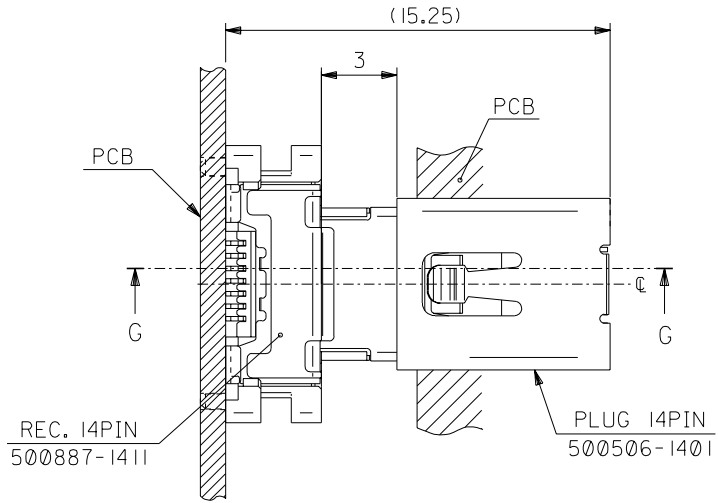


DETAIL B SCALE: 10-1

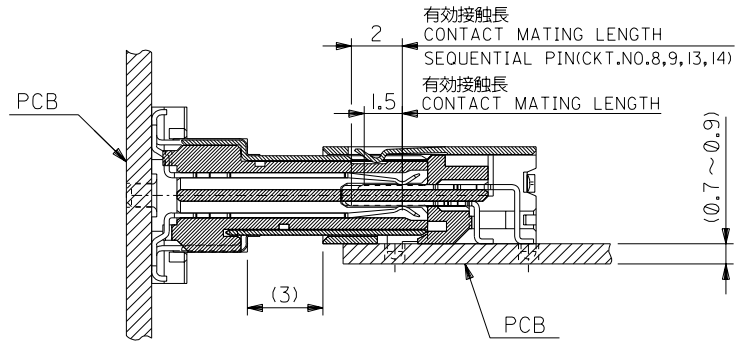
DO NOT SCALE DRAWING

EC NO. DRWN: CHK: APPR:		EC NO. DRWN: CHK: APPR:		EC NO. DRWN: CHK: APPR:		EC NO. DRWN: CHK: APPR:		RELEASED EC NO. J2004-3900 DRWN: T.ODA 04/04/20 CHK: S.ICHIKAWA APPR: Y.OITO		MATERIAL 材料 #		GENERAL TOLERANCES: (UNLESS SPECIFIED) 一般公差 10 UNDER 未満 ±0.2 10 OVER 30 UNDER 未満 ±0.25 30 OVER 以上 ±0.3 ANGLE 角度 ±3°		SCALE 5-1 DESIGN UNITS <input checked="" type="checkbox"/> mm <input type="checkbox"/> INCH DRAWN BY & DATE Y.Oto 04/02/23 CHECKED BY & DATE S. Ichikawa APPROVED BY & DATE Y.Oto		THIRD ANGLE PROJECTION TITLE: 0.5 I/O CONN. PLUG HS'G ASS'Y 14CKT MOLEX MOLEX INCORPORATED		DIMENSIONS: <input type="checkbox"/> mm <input type="checkbox"/> INCH <input checked="" type="checkbox"/> mm ONLY SHT REV REVISION ON CAD ONLY		CAD FILENAME SD-501091-001.S01 MATERIAL NO. SEE CHART DRAWING NO. SD-501091-001 SHEET NO. 1 OF 2 THIS DRAWING CONTAINS INFORMATION THAT IS PROPRIETARY TO MOLEX INCORPORATED AND SHOULD NOT BE USED WITHOUT WRITTEN PERMISSION.		SIZE B	
----------------------------------	--	----------------------------------	--	----------------------------------	--	----------------------------------	--	--	--	------------------	--	---	--	---	--	--	--	--	--	---	--	--------	--

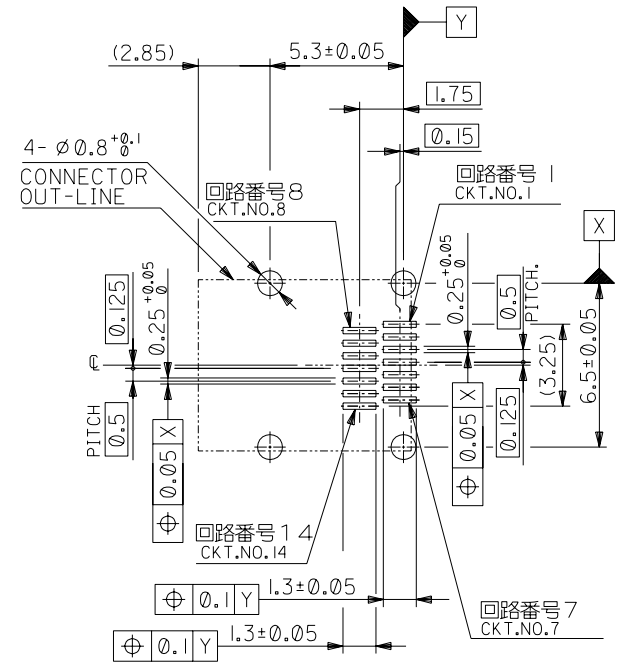
501091-1401	501091-1401
MATERIAL NO.	MODEL NO.
DIMENSIONS:	SHT REV
<input type="checkbox"/> mm <input type="checkbox"/> INCH <input checked="" type="checkbox"/> mm ONLY	REVISION ON CAD ONLY



嵌合図
MATED CONNECTORS



SECTION G-G



基板穴推挿寸法 (部品実装側)
RECOMMENDED P.C.B LAYOUT (MOUNTING SIDE)

DO NOT SCALE DRAWING

EC NO. DRWN: CHK: APPR:	EC NO. DRWN: CHK: APPR:	EC NO. DRWN: CHK: APPR:	EC NO. DRWN: CHK: APPR:	EC NO. DRWN: CHK: APPR:	EC NO. DRWN: CHK: APPR:	DESCRIPTION	MATERIAL 材料	#	GENERAL TOLERANCES: (UNLESS SPECIFIED) 一般公差	SCALE	DESIGN UNITS	THIRD ANGLE PROJECTION	DIMENSIONS:		SHT	REV
							FINISH 仕上り			#	10 UNDER 未満		±0.2	5-1	mm INCH	mm INCH
EC NO. DRWN: CHK: APPR:	EC NO. DRWN: CHK: APPR:	EC NO. DRWN: CHK: APPR:	EC NO. DRWN: CHK: APPR:	EC NO. DRWN: CHK: APPR:	EC NO. DRWN: CHK: APPR:	DESCRIPTION	WIRE RANGE 適用線被覆範囲	#	10 OVER 以上	±0.25	DRAWN BY & DATE	TITLE:	MOLEX INCORPORATED			
							INS. RANGE 被覆外径		#	30 UNDER 未満	±0.3					
						REV	ANGLE 角度	#	±3°	APPROVED BY & DATE	CAD FILENAME	MATERIAL NO.	DRAWING NO.	SHEET NO.	THIS DRAWING CONTAINS INFORMATION THAT IS PROPRIETARY TO MOLEX INCORPORATED AND SHOULD NOT BE USED WITHOUT WRITTEN PERMISSION.	
						0				Y.Odo	SD-501091-001.S02	SEE CHART	SD-501091-001	2	SIZE B	