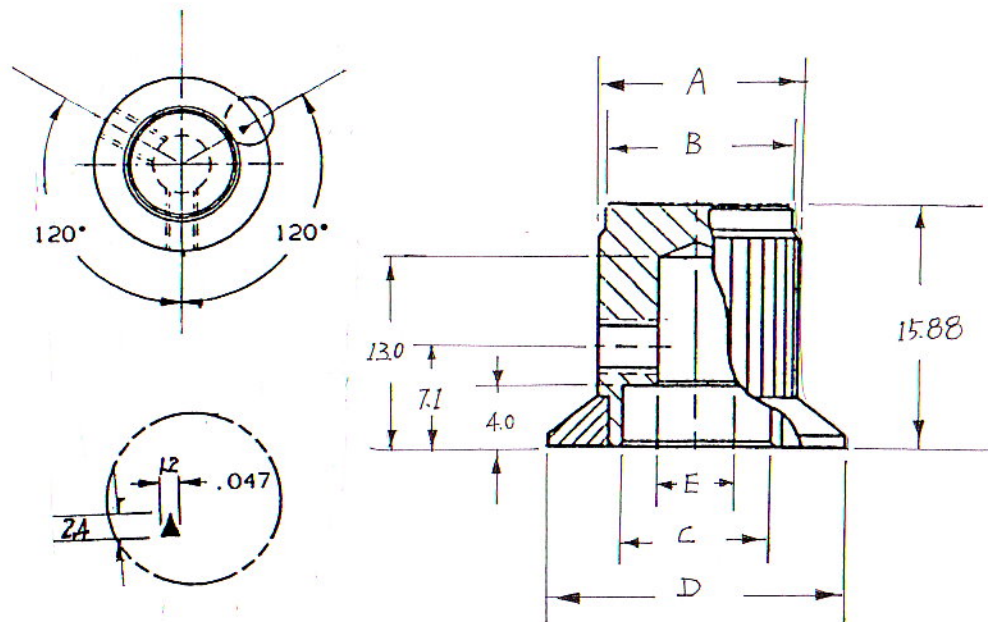


P/N	A	B	C	D	E	Color
KNS501A1/8	12.7	11.3	9.5	18.8	3.2	Natural
KNS501B/18	12.7	11.3	9.5	18.8	3.2	Black
KNS501A1/4	12.7	11.3	9.5	18.8	6.4	Natural
KNS501B1/4	12.7	11.3	9.5	18.8	6.4	Black
KNS701A1/4	19.0	17.6	15.0	28.5	6.4	Natural
KNS701B1/4	19.0	17.6	15.0	28.5	6.4	Black



KNS501B



嘉信旋鈕股份有限公司
 CHIA SHIN KNOBS CO., LTD.
 351, YUNGHO ROAD,
 CHUNGHO CITY,
 TAIPEI HSIEN,
 TEL:(02)2225-1216-7
 FAX:(02)2222-7312

Material: ALUMINUM SOLIDE
 Tolerance: +/-0.20
 Unit : mm

P/N:	
CHIA SHIN P/N:	KNS SERIES

Date: 1-Sep-07