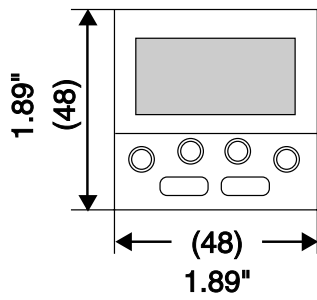
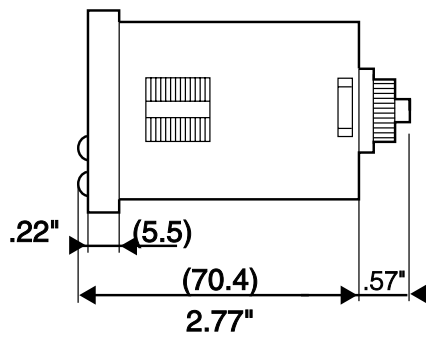
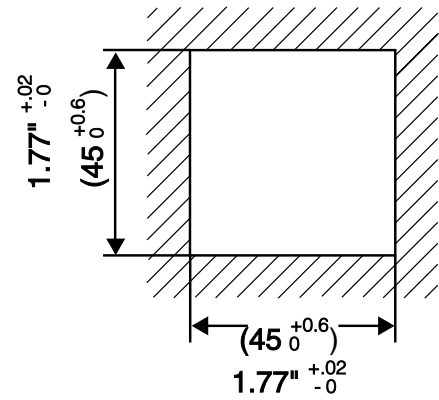


812, 814, 815, 816 Series

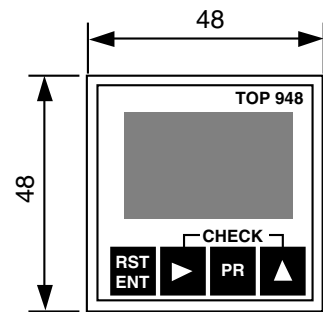
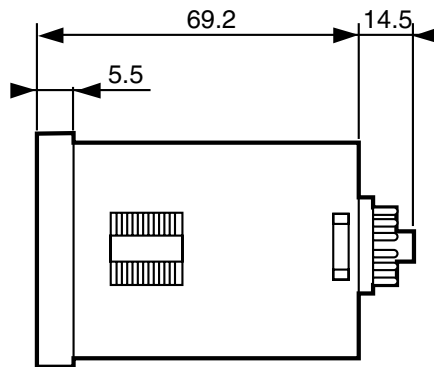
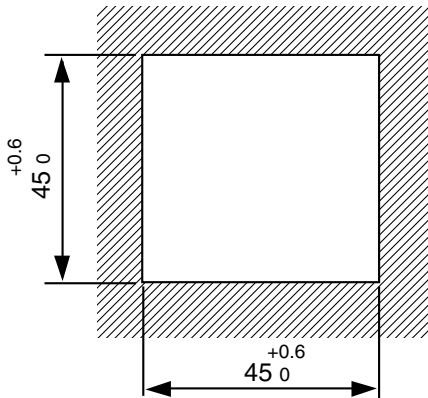


Panel cut-out



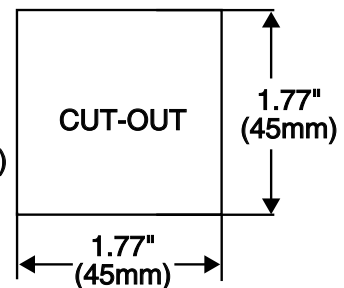
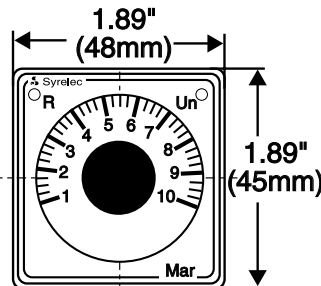
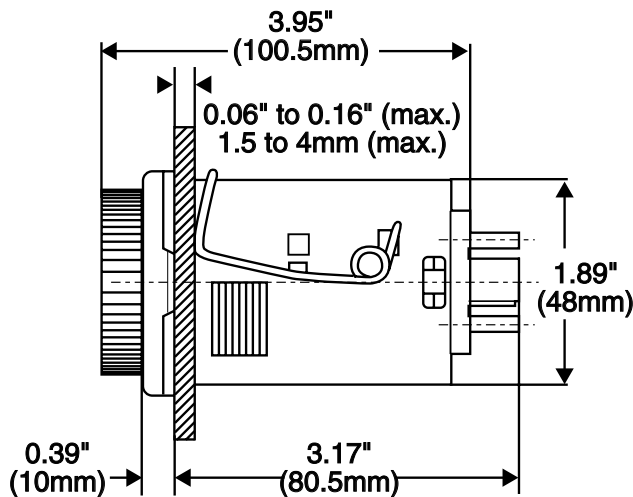
88857 Series

Cut-out



M/F/G Models

M and G Socket



Products and specifications subject to change without notice.
Consult factory for application assistance.

816 SERIES MULTIFUNCTION TIMER

UL listed CSA recognized

- Red LCD Backlit Actual Timing Display
- High Contrast LCD Setpoint Display
- 6 Modes of Operation
- 11 Selectable Time Ranges



The 816 Series Timer is a multifunction timer with a red backlit LCD display showing actual process time and a high contrast LCD display showing setpoint time. The 816 Timer has eleven selectable time ranges (.01 sec to 9999 hours) and is housed in a 1/16 DIN (48 x 48mm) style enclosure. Easy programming from the front panel push buttons allows selection of up or down timing. 6 different timing functions (Delay on Make, Delay on Break, Interval, Single Shot, Repeat Cycle ON Time First and Repeat Cycle OFF Time First) and 11 different timing ranges. The LCD display also shows relay output, power input and initiate switch status. Slide switch on side of unit provide lock-out of front panel access to operating mode programming.

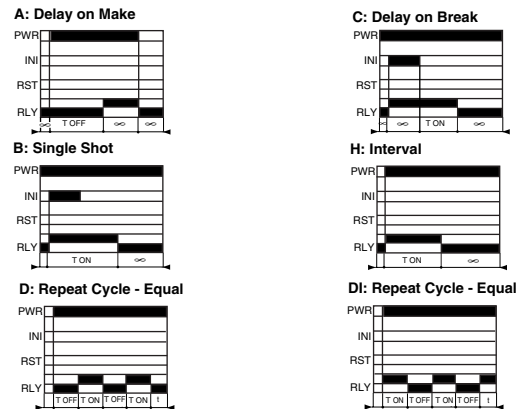
SPECIFICATIONS:

Input Power	220 VAC, 110 VAC, 24 VAC/DC, +10%, -15%
Input Power Consumption ..	1 VA at 24 VAC, 4 VA at 110 VAC, 12 VA at 230 VAC, .5 W at 24 VDC
Display	7 mm High, 4 Digit Backlit LCD
Initiate Switch Input	Dry Contact (50 ms min.)
Output	
Output	SPDT
Max Switching Current/Voltage	8 Amp 250 VAC
Max Power Rating	200 VA/190 W
Min Switch Current	100 mA
Electrical Life of Relay	10 ⁶ Operations at full load
Time Ranges	99.99 s 999.9 s 9999 s 99 min 59 s 99.99 min 999.9 min 9999 min 99h 59 min 99.99 hrs 999.9 hrs 9999 hrs
	Note: The 99.99 s time range is not available in the Repeat Cycle Mode
Front Panel Rating	NEMA 12
Repeat Accuracy	±0.03%, ±20 ms
Reset Time	50 ms during timing 50 ms after timing
Insulation Resistance	100 mΩ min @ 500 VAC to IEC 255.5
Dielectric Strength	2000 VAC @ 50 Hz for 1 min to VDE 0435
Noise Immunity/Interference ..	IEC 1000.4.4 Level IV (Direct 4 KV) IEC 1000.4.3 Level III (10 V/m)
Operating Temperature	+14°F to +140°F (-10°C to +60°C)
Weight	3.5 oz. (100g)
Panel Cutout	45 x 45mm (+0.6)

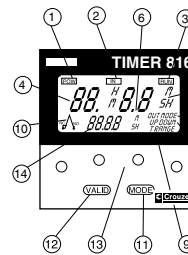
ORDERING INFORMATION:

VOLTAGE	VOLTAGE	PART NUMBER	PART NUMBER
		8 PIN	11 PIN
VOLTAGE		8 PIN VERSION	11 PIN VERSION
110 VAC/24 VAC/DC		88 857 607	88 857 707
220 VAC/24 VAC/VDC		88 857 601	88 857 701

MODE OF OPERATIONS:

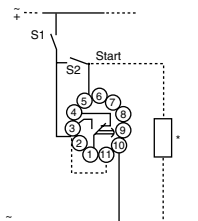
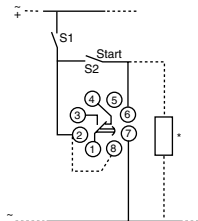


PROGRAMMING:



- 1: Power On Indicator
- 2: Initiate Switch Indicator
- 3: Timing Indicator
- 4: Timing Display
- 5: Timing Range Unit
- 6: Decimal Point
- 7: Mode of Operation
- 8: Up or Down Timing
- 9: Timing Range
- 10: Relay Output Status
- 11: Program Mode
- 12: Validation
- 13: Preset Keyboard
- 14: Preset Value Display

WIRING:



For 24 VAC/VDC service voltage for 8 pin versions jumper terminals 2 and 8. For 24 VAC/VDC service voltage for 11 pin versions jumper terminals 2 and 11.

"Load, such as light bulb or contractor, can be connected in parallel with the start switch

DIMENSIONS See page 4-2

Products and specifications subject to change without notice.
Consult factory for application assistance.

814 SERIES

MULTIFUNCTION TIMER

UL listed CSA recognized

- **DIN-Sized (48 x 48mm) Housing**
 - **6 Modes of Operation**
 - **Large LCD Display**
 - **Up or Down Timing**
 - **SPDT 10 Amp Relay Output**
 - **NEMA 12 Front Panel**
-

The 814 Series Timer is a multifunction timer with multi-time ranges (0.01 sec to 9999 hours) housed in a 1/16 DIN (48 x 48mm) style enclosure. Easy programming from the front panel push buttons allows selection of up or down timing, 6 different timing functions (Delay on Make, Delay on Break, Interval, Single Shot, Repeat Cycle ON Time First and



TOP 948

LCD MULTI-FUNCTION TIMER

UL listed CSA recognized

- 8 Timing Functions
- Multi-timing Range
- DIN-Sized (48 x 48mm) Housing
- Large LCD Display
- NEMA 4 Front Panel
- 10 year EEPROM Memory



GENERAL FEATURES:

The 88 857 Series is a programmable timer with multi-time ranges (0.01s to 999.9 hrs) housed in 1/16 DIN (48 x 48mm) style enclosure. The 8 available functions — On Delay, Interval, Single Shot, Repeat Cycle... the large 4 Digit display and the NEMA 4 front panel will fit most industrial applications. The large LCD permits easy programming and monitoring of status such as time remaining, preset value, output relay, time range, function, etc... All functions can operate with the 10 year EEPROM Memory option.

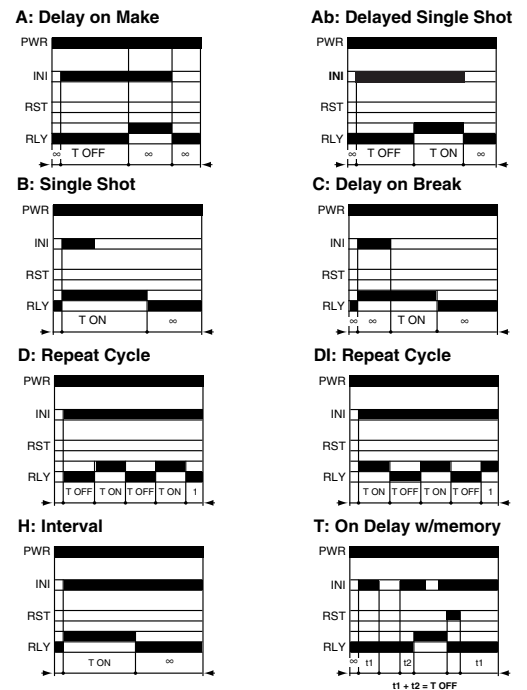
SPECIFICATIONS:

Input Power	220 VAC, 110 VAC, 24/48 VAC, 50/60 Hz $\pm 15\%$ 24/12 VDC $\pm 10\%$
Input Power Consumption	8 VA at 115 VAC, 0.5 W at 12 VDC
Display	4 Digit .3" (8mm) High LCD
Memory	10 years (EEPROM)
Repeat Accuracy	$\pm 0.05\%$
Protection Rating	NEMA 4 (IP 65)
Dielectric Strength	3000V (IEC 255-5)
Initiate Switch Input	
Initiate Switch Input	Dry Contact, PNP Open Collector, Voltage
Minimum Initiate Closure Time	50 ms
Output	
Output	SPDT Relay
Maximum Switching Current	8 Amp AC Resistive, 8 Amp DC Resistive
Maximum Switching Voltage	250 VAC, 250 VDC
Maximum Power Rating	1250 VA, 30 W
Mechanical Life of Relay	2 x 10 ⁷ Operations
Electrical Life of Relay	1 x 10 ⁵ Operations
Time Ranges	99.99 sec, 999.9 sec, 99.99 min, 999.9 min, 999.9 hrs, 99 min, 59 sec, 99 hrs, 99 min
Weight	1.77 oz.
Operating Temperature	14°F to 122°F
Storage Temperature	13°F to 158°F

ORDERING INFORMATION:

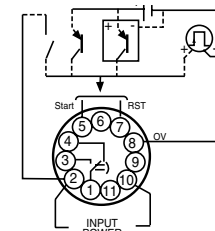
Voltage	Part Number	Part Number
	8-PIN VERSION	11-PIN VERSION
VOLTAGE	8-PIN VERSION	11-PIN VERSION
12/24 VDC		88 857 502
24/48 VAC	88 857 800	88 857 504
110 VAC		88 857 506
110/220 VAC		88 857 508

FUNCTIONS:

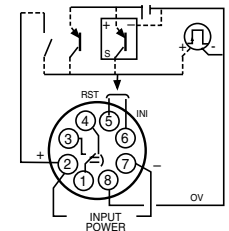


WIRING DIAGRAM:

Part Number 88 857 506



Part Number 88 857 800



DIMENSIONS See page 4-2

Products and specifications subject to change without notice.
Consult factory for application assistance.