

NOTES :

1- MATERIAL:

- HOUSING: POLYESTER FIBER GLASS FILLED UL 94-V0 COLOR BLACK.
- TERMINAL: PHOSPHOR BRONZE.

PLATING 2:

POST PLATE (0.00127-0.00152)/.000050-.000060 GOLD IN CONTACT AREA. (0.00190)/.000075 MIN. PURE TIN IN TAIL AREA BOTH OVER (0.00127)/.000050 MIN. NICKEL OVERALL.

PLATING 7: ONLY ON REQUEST

POST PLATE 0.00005/.000002 MIN GOLD OVER 0.000763 .000030 MIN PALLADIUM NICKEL IN CONTACT AREA. 0.00190/.000075 MIN PURE TIN IN TAIL AREA. BOTH OVER 0.00127/.000050 MIN NICKEL OVERALL:

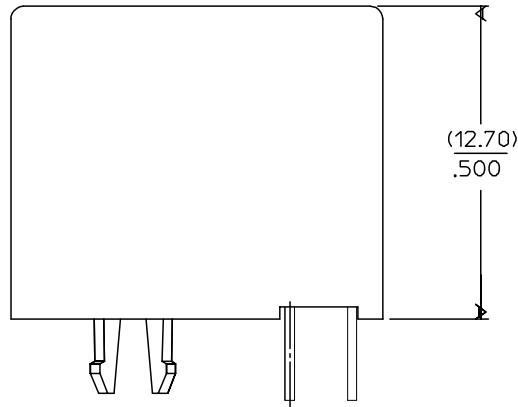
2- JACK FOR MATING WITH F.C.C. 68 PLUGS 90075 MOLEX SERIES.

3- PRODUCT SPECIFICATION PS-95003.

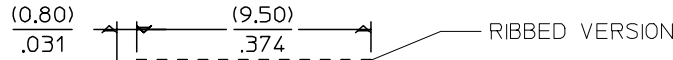
4- APPLICATION SPECIFICATION AS-95001.

5- PACKAGING SPECIFICATION PK-95003:

- STANDARD PACKAGING SHEET 1.
- TUBE PACKAGING FOR SMT VERSION SHEET 2.
- TUBE PACKAGING FOR THROUGH HOLE VERSION SHEET 3.

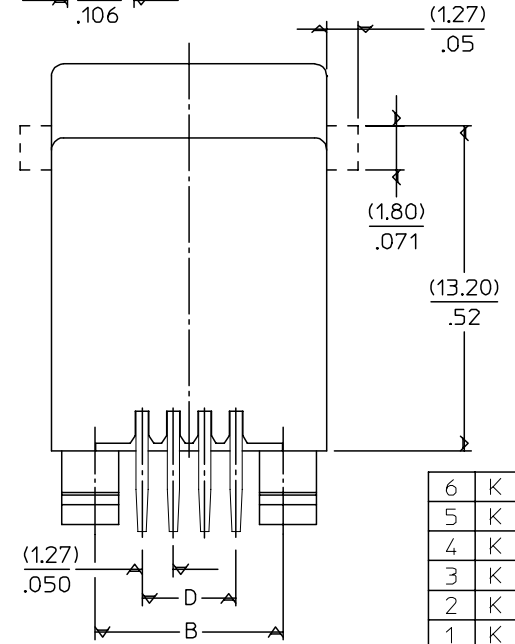
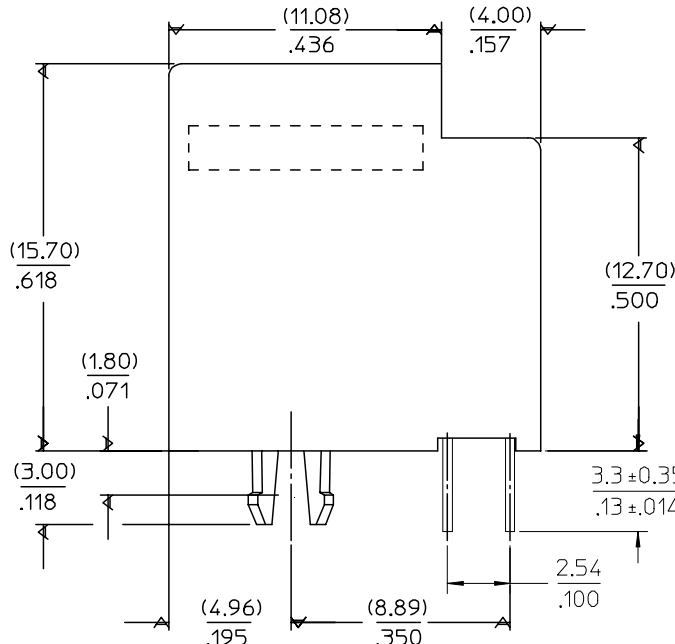
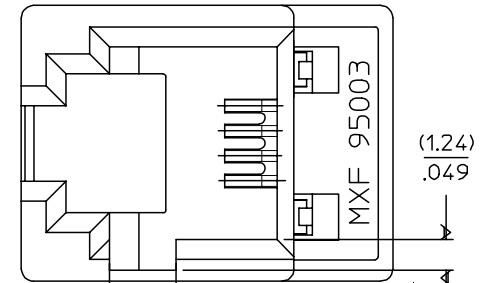


SHORT VERSION



RIBBED VERSION

OPTIONAL KEYING



6	K
5	K
4	K
3	K
2	K
1	K

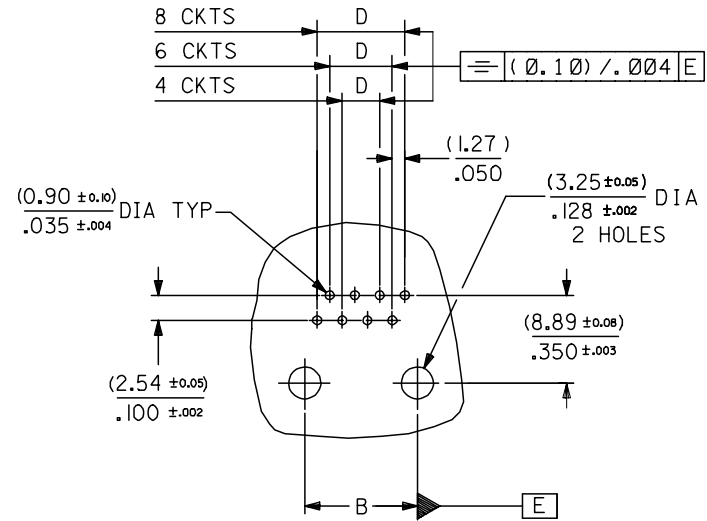
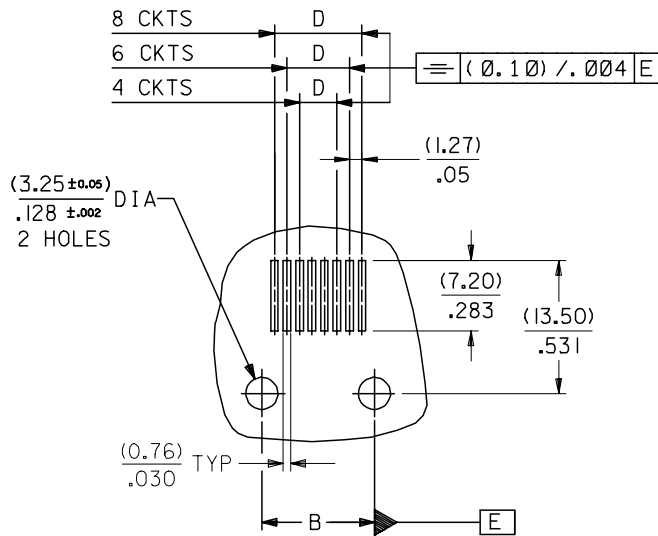
ENTER DESCRIPTION EC NO: MG2005-0119 DRAWN:KNOLLER 2004/10/06 CHKD:FCARABET 2004/10/06 APPR:KNOLLER 2004/10/11	QUALITY SYMBOLS ▽=0 ▽C=0	GENERAL TOLERANCES (UNLESS SPECIFIED)		DIMENSION STYLE	SCALE	DESIGN UNITS	THIRD ANGLE PROJECTION
		mm	INCH	MM/IN	5:1	METRIC	
REV	DESCRIPTION	4 PLACES	± ---	± ---	DRAWN BY	DATE	TITLE
		3 PLACES	± ---	± .006	GP	95/05/15	
		2 PLACES	± 0.15	± .010	CHECKED BY	DATE	MOLEX INCORPORATED
		1 PLACE	± 0.25	± ---	APPROVED BY	DATE	
			ANGULAR ± .5 °			95/05/15	SHEET NO. 1 OF 6
			DRAFT WHERE APPLICABLE MUST REMAIN WITHIN DIMENSIONS		MATERIAL NO.		
					SIZE		
					THIS DRAWING CONTAINS INFORMATION THAT IS PROPRIETARY TO MOLEX INCORPORATED AND SHOULD NOT BE USED WITHOUT WRITTEN PERMISSION		

DIM. \ TYPE	POS. 4		POS. 6		POS. 8	
	4 CKTS.	4 CKTS.	6 CKTS.	4 CKTS.	6 CKTS.	8 CKTS.
A	(11.18) / .440	(13.21) / .520	(13.21) / .520	(15.24) / .600	(15.24) / .600	(15.24) / .600
B (± 0.05) / ± 0.002	(7.62) / .300	(10.16) / .400	(10.16) / .400	(11.43) / .450	(11.43) / .450	(11.43) / .450
D (± 0.05) / ± 0.002	(3.81) / .150	(3.81) / .150	(6.35) / .250	(3.81) / .150	(6.35) / .250	(8.89) / .350

P.C.B. MOUNTING PATTERNS - SEE FROM COMPONENT SIDE

FOR SMT JACK (SURFACE MOUNT)

FOR STANDARD JACK (THROUGH HOLE)



ENTER DESCRIPTION EC NO: MG2005-0119 DRAWN: KNOLLER 2004/10/06 CHKD: FCARABET 2004/10/06 APPR: KNOLLER 2004/10/11	QUALITY SYMBOLS ▽=0 ▽C=0	GENERAL TOLERANCES (UNLESS SPECIFIED)		DIMENSION STYLE MM/IN	SCALE 2:1	DESIGN UNITS METRIC	THIRD ANGLE PROJECTION	
		4 PLACES ± --- ± --- 3 PLACES ± --- ± .006 2 PLACES ± 0.15 ± .010 1 PLACE ± 0.25 ± --- ANGULAR ± .5 °	DRAWN BY GP	DATE 95/05/15	TITLE LOW PROFILE T/E JACK			
		DRAFT WHERE APPLICABLE MUST REMAIN WITHIN DIMENSIONS	CHECKED BY	DATE	APPROVED BY			
		MATERIAL NO. SEE SHT. 4, 5	DOCUMENT NO. SDA-95003-F	MOLEX INCORPORATED		SHEET NO. 3 OF 6		

TRAY PACKAGING, SEE PACKAGING SPEC PK95003 SHEET 1

HOUSING SIZE	LOADED CONTACTS	PLATING	PART NO FOR JACK ASSEMBLY THROUGH HOLE STANDARD VERSION					PART NO FOR JACK ASSEMBLY THROUGH HOLE SHORT VERSION					PART NO FOR JACK ASSEMBLY S.M.T. SHORT VERSION																																																
			POLYESTER FIBER GLASS FILED 94V0 COLOR BLACK					POLYESTER FIBER GLASS FILED 94V0 COLOR BLACK					POLYAMIDE 4/6 FIBER GLASS FILED 94V0 COLOR GREY					POLYAMIDE 4/6 FIBER GLASS FILED 94V0 COLOR BLACK																																											
			NO KEY	TOOLED	KEY	TOOLED	TOOLED	NO KEY	TOOLED	KEY	TOOLED	TOOLED	NO KEY	TOOLED	KEY	TOOLED	TOOLED	NO KEY	TOOLED	KEY	TOOLED	TOOLED																																							
NO RIB	NO RIB	NO RIB	NO RIB	NO RIB	NO RIB	NO RIB	NO RIB	NO RIB	NO RIB	NO RIB	NO RIB	NO RIB	NO RIB	NO RIB	NO RIB	NO RIB	NO RIB	NO RIB	NO RIB																																										
4	4	2	95003-2441	X	95003-2442						95003-2444		95003-2445									95003-6444		95003-6445											95003-6454		95003-6455																								
6	4	2	95003-2641	X	95003-2642						95003-2644		95003-2645										95003-6644		95003-6645														95003-6654		95003-6655																				
6	6	2	95003-2661	X	95003-2662						95003-2664	X	95003-2665										95003-6664	X	95003-6665																95003-6674	X	95003-6675																		
8	4	2	95003-2841		95003-2842						95003-2844		95003-2845										95003-6844		95003-6845																	95003-6854		95003-6855																	
8	6	2	95003-2861		95003-2862						95003-2864		95003-2865										95003-6864		95003-6865																		95003-6874		95003-6875																
8	8	2	95003-2881	X	95003-2882	X					95003-2884		95003-2885										95003-6884		95003-6885																		95003-6894		95003-6895																

TOOLED	<input checked="" type="checkbox"/>
NOT TOOLED	<input type="checkbox"/>

ENTER DESCRIPTION EC NO: MG2005-0119 2004/10/06 DRW:KNOLLER 2004/10/06 CHKD:FCARABET 2004/10/06 APPR:KNOLLER 2004/10/11	QUALITY SYMBOLS ▽=0 ▽=0	GENERAL TOLERANCES (UNLESS SPECIFIED)		DIMENSION STYLE MM/IN		SCALE ---	DESIGN UNITS METRIC	THIRD ANGLE PROJECTION		
		4 PLACES ±--- ±--- 3 PLACES ±--- ±--- 2 PLACES ±--- ±--- 1 PLACE ±--- ±---	mm INCH	DRAWN BY GP	DATE 95/05/15	TITLE LOW PROFILE T/E JACK THROUGH HOLE STD. VERS. THROUGH H. SMT SHORT V.				
		DRAFT WHERE APPLICABLE MUST REMAIN WITHIN DIMENSIONS		CHECKED BY	DATE	APPROVED BY		DATE	MOLEX INCORPORATED	
		SEE CHART		MATERIAL NO.	DOCUMENT NO.	SHEET NO.				

THIS DRAWING CONTAINS INFORMATION THAT IS PROPRIETARY TO MOLEX INCORPORATED AND SHOULD NOT BE USED WITHOUT WRITTEN PERMISSION