

A new and unique range of Die-Cast Hoods for sub D connectors to suit all applications with one adaptable product range. This high-grade system gives exceptional RFI/EMI shielding and conforms to European and US standards when used as part of an approved installation. You just choose which method of assembly suits your application best.

## MHDM Series - MH Multi Standard Assembly D Hoods

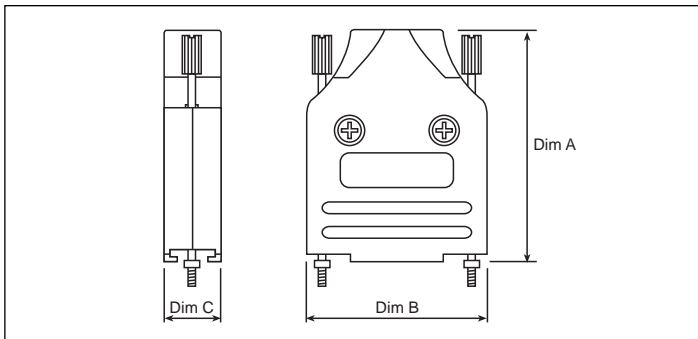


### Standard Assembly

This variation has been designed with the cable assembler in mind. It allows for quick assembly of the cable to the hood and holds the cable in place while the rest of the assembly is completed. Through use of the metallised plastic inserts maximum 360 degree shielding is maintained at the critical cable entry area. Simple removal of the inserts allows for easy reworking or maintenance.

### Order Code

Series                      **MHDM**    **25**    **B**    **K**  
 Size: \_\_\_\_\_  
 9,15, 25 or 37  
 Plating Select: \_\_\_\_\_  
 Omit = Nickel  
 B = Black  
 K = Individually Kitted \_\_\_\_\_  
 Omit = Bulk



Ways	Dim A	Dim B	Dim C
9	41.3	32.2	15.4
15	43.3	40.6	15.4
25	49.5	54.5	15.4
37	54.3	70.7	15.4

## MHEE Series - MH Multi Cone Style D Hoods

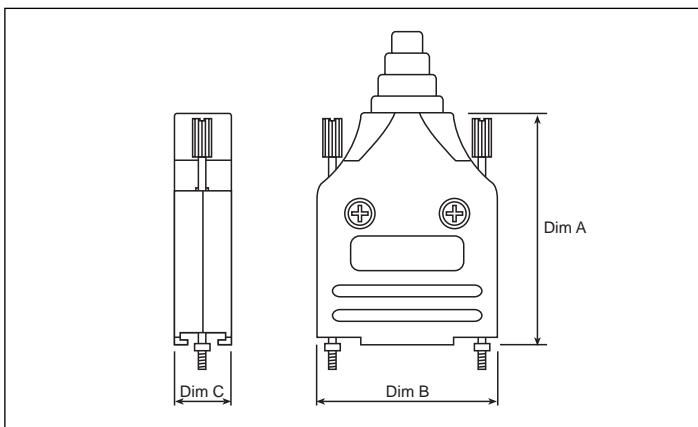


### Cone Style

This well proven system also gives 360 degree shielding through the use of a unique metallised cone insert which can be cut to suit your cable size - using a tool for larger volumes or a knife for smaller volumes. The cone can be left out if lower shielding levels are acceptable.

### Order Code

Series                      **MHEE**    **25**    **B**    **K**  
 Size: \_\_\_\_\_  
 9,15, 25 or 37  
 Plating Select: \_\_\_\_\_  
 Omit = Nickel  
 B = Black  
 K = Individually Kitted \_\_\_\_\_  
 Omit = Bulk  
 Order part MHDCTMC = Cutting Tool for Cone Insert



Ways	Dim A	Dim B	Dim C
9	41.3	32.2	15.4
15	43.3	40.6	15.4
25	49.5	54.5	15.4
37	54.3	70.7	15.4

# MHC Series - MH<sup>ulti</sup> Crimp Style D Hoods

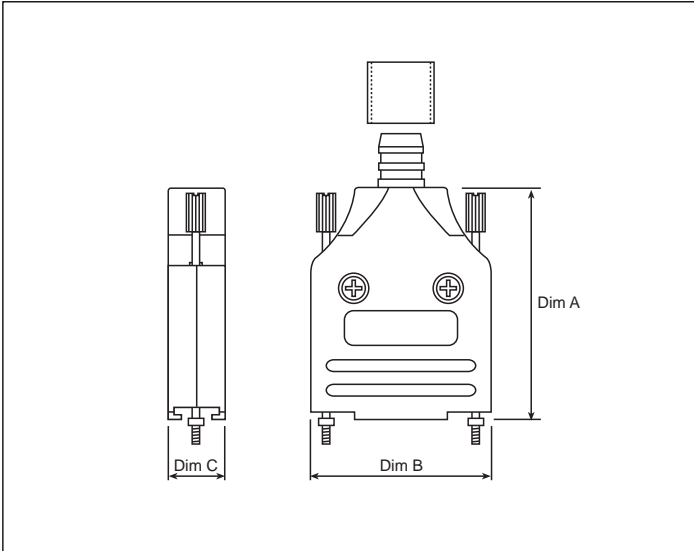


## Crimp Style

For use where braided cable only is used for a stronger, permanent earth path, this crimp system is effective and easy to use along with the MH crimp tool and dies. Allows for pre-assembly of the earth connection before making off the connector and back-shell.

## Order Code

Series                    **MHC**      **25**      **B**      **K**  
 Size: \_\_\_\_\_  
 9,15, 25 or 37  
 Plating Select: \_\_\_\_\_  
 Omit = Nickel  
 B = Black  
 K = Individually Kitted \_\_\_\_\_  
 Omit = Bulk

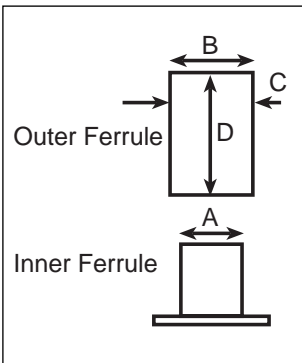


Ways	Dim A	Dim B	Dim C
9	41.3	32.2	15.4
15	43.3	40.6	15.4
25	49.5	54.5	15.4
37	54.3	70.7	15.4

## Ferrule Crimp Tool and Dies

Part No.                      Description

<b>MHDCTOOL</b>	Ferrule Crimp Tool
<b>MHCDIE-5.0</b>	5.0mm Ferrule Die Set
<b>MHCDIE-6.0</b>	6.0mm Ferrule Die Set
<b>MHCDIE-7.0</b>	7.0mm Ferrule Die Set
<b>MHCDIE-7.4</b>	7.4mm Ferrule Die Set
<b>MHCDIE-8.6</b>	8.6mm Ferrule Die Set



Ferrule Kit	For Maximum Cable O/D	Feed Through A	Inner Diameter B	Outer Diameter C	Length D	Crimp Dies E
<b>MHC5.0</b>	7.0	5.0	7.1	8.0	16.0	<b>CD1</b>
<b>MHC6.0</b>	8.0	5.0	8.1	9.0	16.0	<b>CD2</b>
<b>MHC7.0</b>	10.0	7.0	10.0	11.6	20.0	<b>CD3</b>
<b>MHC7.4</b>	10.5	7.4	10.5	12.0	20.0	<b>CD4</b>
<b>MHC8.6</b>	11.2	8.6	11.2	12.5	20.0	<b>CD5</b>

Other sizes available on request

**Choose the Ferrule kit and matching Dies plus MHCT tool with the MHC range**