

- Overload protection
- Short circuit protection
- Phase differential detection
- DIN rail mounting
- Test facility
- Ambient temperature compensation
- Fingertouch protection
- Lockable off position
- Designed to EN60947-4-1 and EN60947-2
- Bus-bar system
- Enclosures



Specification

Rated insulation voltage U_I	690V AC
Rated current I_{th} open, at 50°C	25 amps
Mechanical life	100,000 ops
Electrical life – AC3 duty	100,000 ops
Switching frequency	30 ops per hour
Operate time – approximately	7 mS
Total power loss (warm condition)	6-8 W
Temperature compensation open	-20 to +55°C
Rating auxiliary switch – AC15	400V 2A
Mounting position	Any
Power consumption – undervoltage trip	2.7VA 1.8W
– shunt trip	2.7VA 1.8W
Terminal wiring cross section	
1 or 2 wires main	0.75 – 4mm ²
aux	0.75 – 2.5mm ²
Weight	0.25 Kg

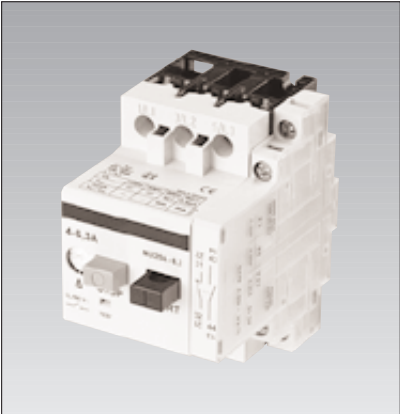
Electrical Characteristics

Current Range	Rated Short Circuit Capacity kA				Back-up Fuse (gI)			
	220-240	380-415	500	660-690	220-240	380-415	500	660-690
0.10 - 0.16	100	100	100	100	●	●	●	●
0.16 - 0.25	100	100	100	100	●	●	●	●
0.25 - 0.40	100	100	100	100	●	●	●	●
0.40 - 0.63	100	100	100	100	●	●	●	●
0.63 - 1.00	100	100	100	100	●	●	●	●
1.00 - 1.60	100	100	100	100	●	●	●	●
1.60 - 2.50	100	100	3	2.5	●	●	25	25
2.50 - 4.00	100	100	3	2.5	●	●	35	25
4.00 - 6.30	100	100	3	2.5	●	●	50	35
6.30 - 10	100	6/50*	3	2.5	●	80	50	35
10 -16	10/100*	4/50*	2.5	2	80	80	63	35
16 - 20	10/100*	4/50*	2.5	2	80	80	63	50
20 - 25	10/100*	4/50*	2.5	2	80	80	63	50

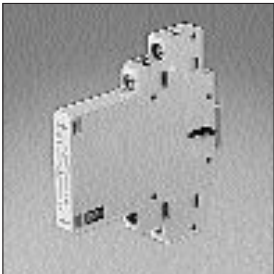


* KA with current limiter MBS25-ID50 upto 415V AC

● Fuse not required

Selection

	Current Range Amps	Magnetic Short Circuit Trip-Amps
	0.10 - 0.16	1.92
	0.16 - 0.25	3.0
	0.25 - 0.40	4.8
	0.40 - 0.63	7.6
	0.63 - 1.00	12.0
	1.00 - 1.60	19.2
	1.60 - 2.50	30
	2.50 - 4.00	48
	4.00 - 6.30	75.6
	6.30 - 10	120
	10 - 16	192
	16 - 20	240
	20 - 25	300

Accessories

Auxiliary Contacts		<p>For fitting to the side of the unit max 1 block each side.</p>						
		<table border="1"> <thead> <tr> <th>Contacts</th> </tr> </thead> <tbody> <tr> <td>1 Make + 1 Break (internal mount)</td> </tr> <tr> <td>1 Break</td> </tr> <tr> <td>1 Make + 1 Break</td> </tr> <tr> <td>2 Makes</td> </tr> <tr> <td>2 Early Makes</td> </tr> </tbody> </table>	Contacts	1 Make + 1 Break (internal mount)	1 Break	1 Make + 1 Break	2 Makes	2 Early Makes
Contacts								
1 Make + 1 Break (internal mount)								
1 Break								
1 Make + 1 Break								
2 Makes								
2 Early Makes								
Shunt Trip		<p>Trips out the unit as voltage is applied. Mounting inside the unit.</p>						
		<table border="1"> <thead> <tr> <th>Voltage</th> </tr> </thead> <tbody> <tr> <td>24 AC</td> </tr> <tr> <td>110 AC</td> </tr> <tr> <td>220-240 AC</td> </tr> <tr> <td>380-415 AC</td> </tr> </tbody> </table>	Voltage	24 AC	110 AC	220-240 AC	380-415 AC	
Voltage								
24 AC								
110 AC								
220-240 AC								
380-415 AC								
Undervoltage Trip		<p>Trips out the unit should the voltage fall below 70% of the rated voltage, prevents automatic restart when voltage returns. For mounting inside the unit.</p>						
		<table border="1"> <thead> <tr> <th>Voltage</th> </tr> </thead> <tbody> <tr> <td>220-240 AC</td> </tr> <tr> <td>380-415 AC</td> </tr> <tr> <td>24 AC</td> </tr> <tr> <td>110 AC</td> </tr> </tbody> </table>	Voltage	220-240 AC	380-415 AC	24 AC	110 AC	
Voltage								
220-240 AC								
380-415 AC								
24 AC								
110 AC								

Bus-Bar system



System for connecting units together and incoming supply.

Fully isolated $U_1 = 690V$
 $I_U = 63$ amps

Description
For 2 units - 99mm
For 3 units - 154mm
For 4 units - 208mm
For 5 units - 262mm
Protection for unused terminals
Supply Block
Spacing Piece $1/2$ TE

€ Euro prices on request

Current limiter



For increasing the fault breaking capacity of single unit or group back-up to 50kA.

$U_1 = 690V$ $I_U = 32A$

€ Euro prices on request

Starter carrier



Accepts contactor and manual motor starter to mount onto one DIN rail.

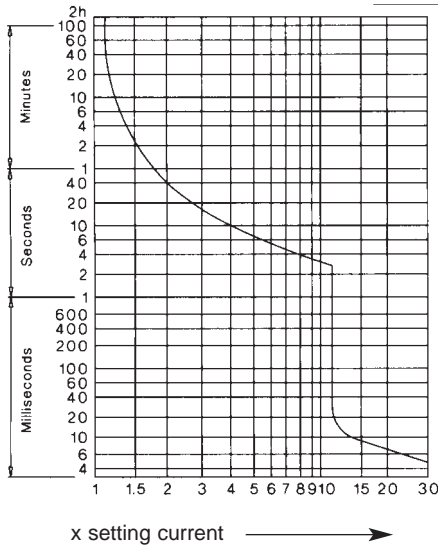
€ Euro prices on request

Enclosures



Description
Moulded enclosure - IP55
Moulded front plate - IP55
Locking Bracket - 3 position
Mushroom stop button
Green Indicator 240V
Red Indicator 240V
Earth or neutral conductor
Moulded enclosure CEE Socket

Trip curve

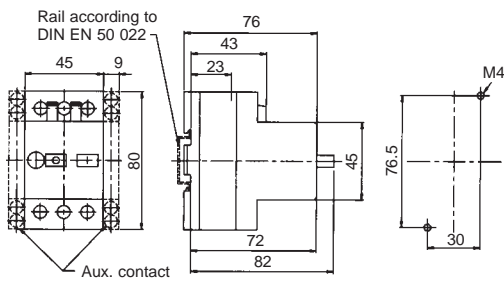


Trip curve
1. Three phase trip curve

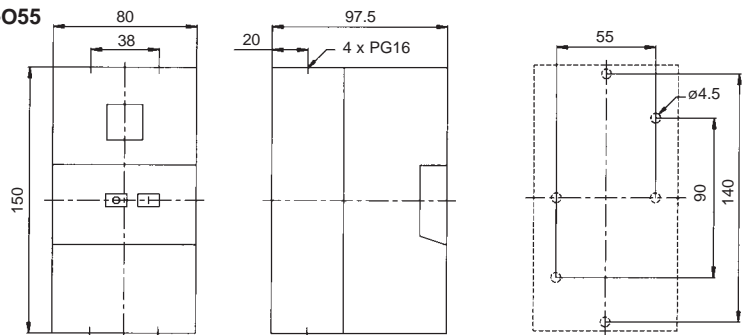
Average value of typical tolerance curves from cold condition

Dimensions (mm)

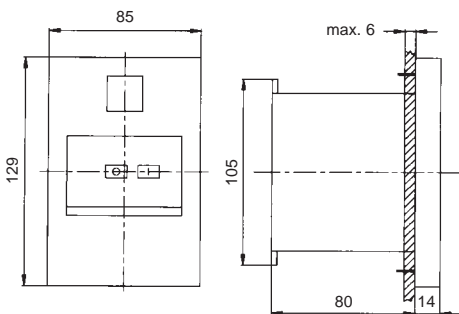
Manual Motor Starter
MU25A



Moulded Enclosure
MU25A-O55



Moulded Front Plate
MU25A-C55



Moulded Enclosure for 5-pole CEE-plug
MU25A-GC1

